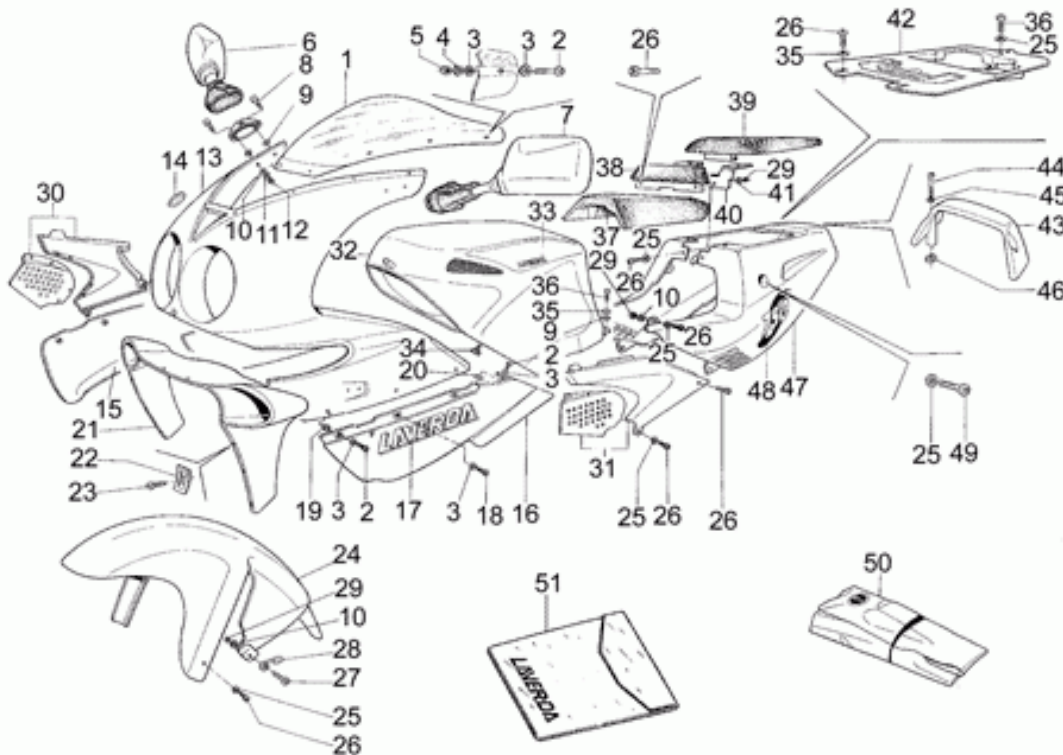
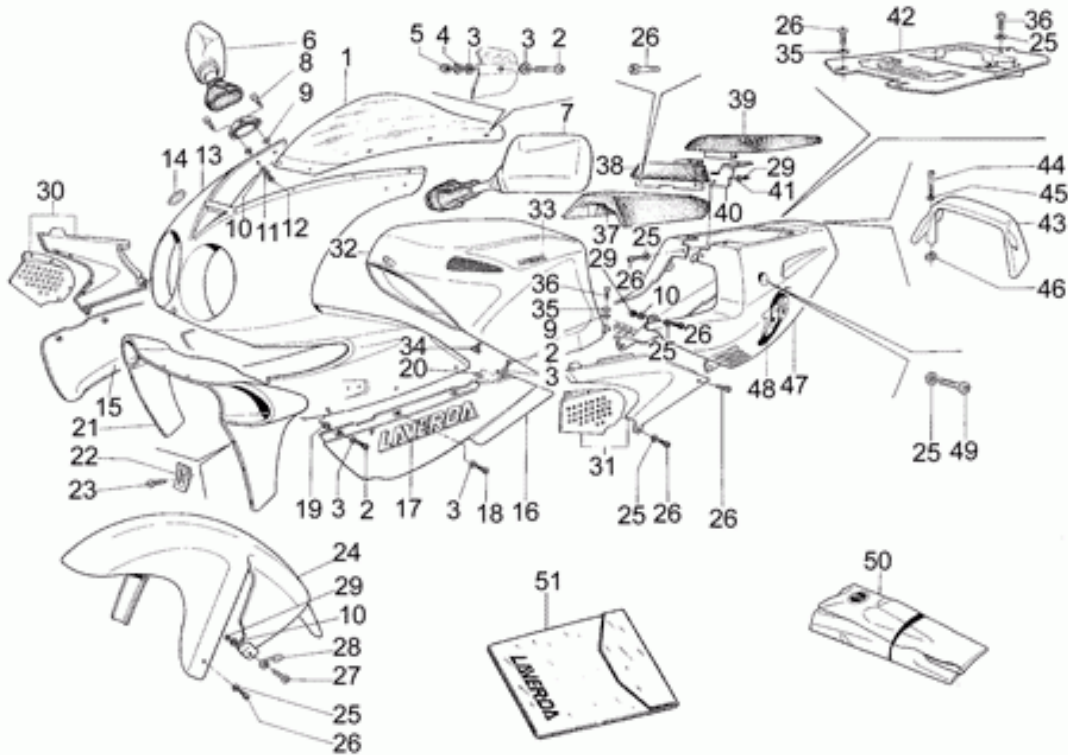


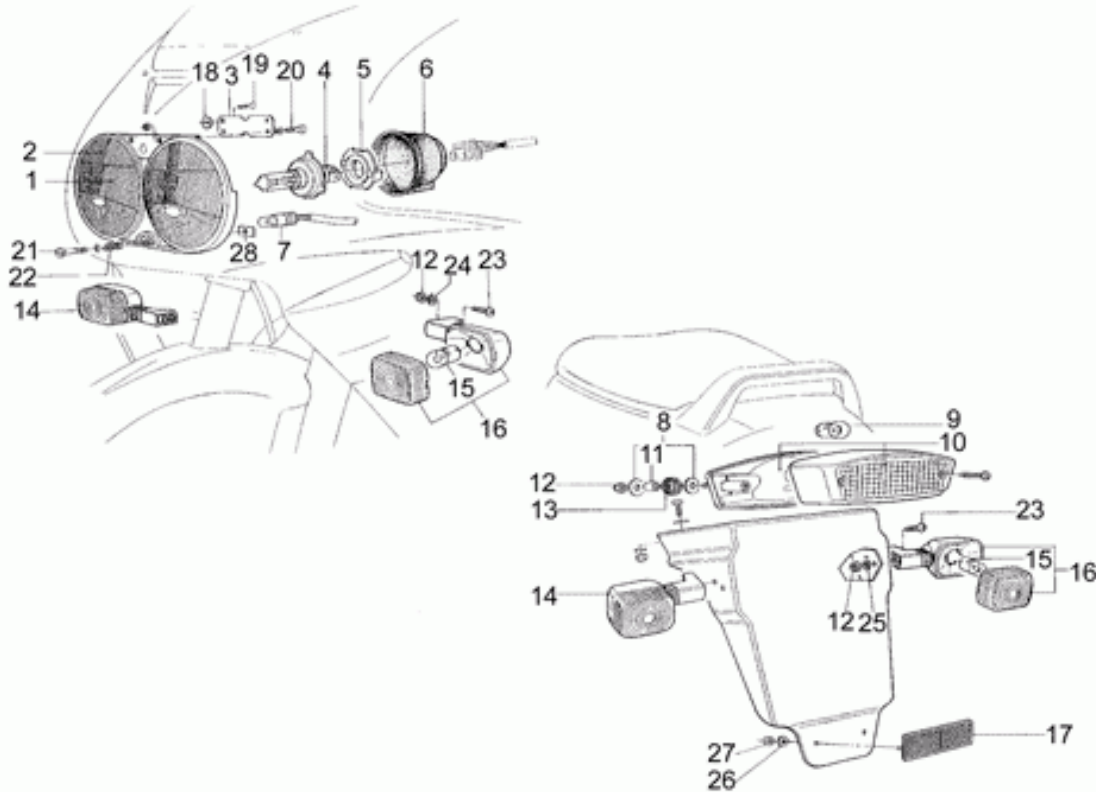
Ref.	Descrizione	Description	Year	I.M.	Country	Version	Code	Qty
1	Parabrezza	Windscreen	-	-	-	-	LV061009000 126	1
	Parabrezza	Windscreen	-	-	-	P	LV061009000 155	1
2	Vite TCBEI M5X16	Screw TCBEI M5X16	-	-	-	-	LV030010000 032	14
3	Rosetta Nylon 5,3X10X1	Washer Nylon 5,3X10X1	-	-	-	-	LV033001000 002	24
4	Rosetta 5,3X10X1	Washer 5,3X10X1	-	-	-	-	LV033001000 085	8
5	Dado autobloc. M5	Self-locking nut M5	-	-	-	-	LV030015000 020	8
6	Specchio dx	RH rearview mirror	-	-	-	-	LV061009000 114	1
7	Specchio sx	LH rearview mirror	-	-	-	-	LV061009000 113	1
8	Vite TCEI M6X25	Hex socket screw M6X25	-	-	-	-	LV030007000 027	4
9	Rosetta in gomma	Rubber washer	-	-	-	-	LV055001000 066	5
10	Rosetta 6,4X12,5X1,6	Washer 6,4X12,5X1,6	-	-	-	-	LV033001000 086	8
11	Rosetta Grower d.6	Washer d.6	-	-	-	-	LV033001000 075	4
12	Dado cieco M6	Cap nut M6	-	-	-	-	LV030005V4 2123	4
13	Cupolino nero	Headlight windshield black	-	-	-	Black	LV061009000 125E	1
	Cupolino argento	Windshield, silver	-	-	-	Silver	LV061009000 125F	1
14	Decalco Laverda	Decal Laverda	-	-	-	-	LV061010000 046	1
15	Fiancatina ant.dx nero	RH front side panel, black	-	-	-	Black	LV061009000 219	1
	Fiancatina ant.dx argento	RH front side panel, silver	-	-	-	Silver	LV061009000 219F	1
16	Fiancatina ant.sx nero	LH front side panel, black	-	-	-	Black	LV061009000 220	1
	Fiancatina ant.sx argento	LH front side panel, silver	-	-	-	Silver	LV061009000 220F	1
17	Decalco Laverda	Decal Laverda	-	-	-	-	LV061010000 100	2



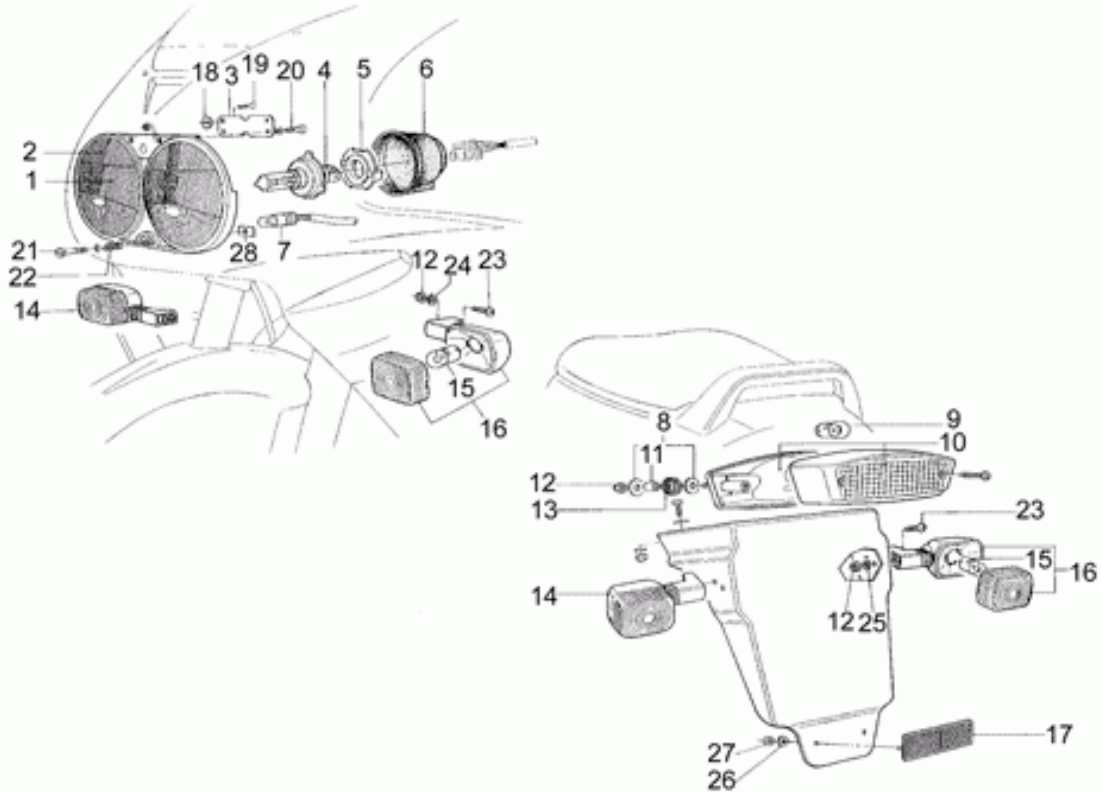
Ref.	Descrizione	Description	Year	I.M.	Country	Version	Code	Qty
18	Vite TCBEI M5X12	Screw TCBEI M5X12	-	-	-	-	LV030010000 034	2
19	Bussola Well Nut M5	Bush Well Nut M5	-	-	-	-	LV021003000 047	6
20	Rosetta in gomma	Rubber washer	-	-	-	-	LV055001V1 0323	2
21	Presa d'aria	Air intake	-	-	-	-	LV061009000 221	1
22	Piastrina DM2	Plate DM2	-	-	-	-	LV050005V0 1002	6
23	Vite autof. 2,9X13	Self-tap screw 2,9X13	-	-	-	-	LV030009000 005	6
24	Parafango ant.carb.	Front mudguard, carb.	-	-	-	-	LV061009000 117	1
25	Rosetta in nylon 6,25X12X1,5	Nylon washer 6,25X12X1,5	-	-	-	-	LV033001V1 1199	11
26	Vite TCBEI M6X16	Screw TCBEI M6X16	-	-	-	-	LV030010000 009	12
27	Vite TCBEI M6X25	Screw TCBEI M6X25	-	-	-	-	LV030010000 047	2
28	Guidacavo	Cable-guide	-	-	-	-	LV033005000 002	1
29	Dado autobloc. M6	Self-locking nut M6	-	-	-	-	LV030015000 021	6
30	Fiancatina dx nera	RH side panel, black	-	-	-	Black	LV019E0400 0004	1
	Fiancatina dx argento	RH side panel, silver	-	-	-	Silver	LV019F04000 026	1
31	Fiancatina sx nera	LH side panel, black	-	-	-	Black	LV019E0400 0005	1
	Fiancatina sx argento	LH side panel, silver	-	-	-	Silver	LV019F04000 027	1
32	Coperchio serbatoio	Tank cover	-	-	-	Black	LV019E0400 0001	1
	Coperchio serbatoio	Tank cover	-	-	-	Silver	LV019F04000 001	1
33	Decalco Laverda	Decal Laverda	-	-	-	-	LV061010000 101	3
34	Gommino	Rubber spacer	-	-	-	-	LV050003000 025	2
35	Rosetta 6,5X18X1,5	Washer 6,5X18X1,5	-	-	-	-	LV033001000 087	3



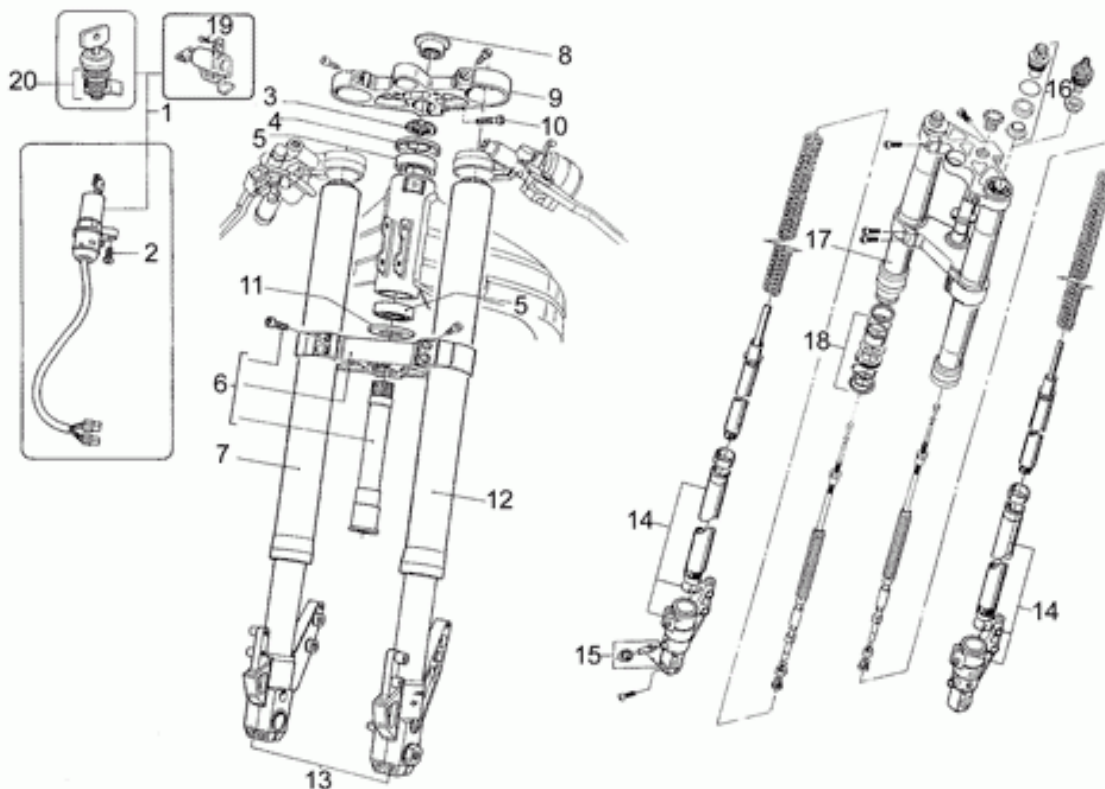
Ref.	Descrizione	Description	Year	I.M.	Country	Version	Code	Qty
36	Vite TCBEI M6X20	Screw TCBEI M6X20	-	-	-	-	LV030010000 045	2
37	Sella pilota	Driver saddle	-	-	-	-	LV061002000 009	1
38	Cuscino poggiaschiena	Seat cushion	-	-	-	-	LV061002000 011	1
39	Sella pass.	Rear saddle	-	-	-	-	LV061002000 010	1
40	Coperchietto	Plug	-	-	-	-	LV061009000 138	1
41	Rosetta 6,5X14X1,5	Washer 6,5X14X1,5	-	-	-	-	LV033001V1 1020	2
42	Coperchio scatola centralina	ECU box cover	-	-	-	-	LV061009000 217	1
43	Maniglia post.	Rear handle	-	-	-	-	LV061009000 218	1
44	Vite TCEI M6X45	Hex socket screw M6X45	-	-	-	-	LV030007000 038	2
45	Rosetta Grower d.6	Washer d.6	-	-	-	-	LV033001000 075	2
46	Gommino maniglia	Handle rubber	-	-	-	-	LV050003000 034	2
47	Codone nero	Rear fairing, black	-	-	-	Black	LV061009000 206E	1
	Codone argento	Rear fairing, silver	-	-	-	Silver	LV061009000 206F	1
48	Decalco 750 S	Decal 750 S	-	-	-	-	LV061010000 102	2
49	Vite TCBEI M6X35	Screw TCBEI M6X35	-	-	-	-	LV030010000 052	1
50	Trousse attrezzi	Toolkit	-	-	-	-	LV061008000 004	1
51	Portadocumenti	Document holder	-	-	-	-	LV061008000 005	1



Ref.	Descrizione	Description	Year	I.M.	Country	Version	Code	Qty
1	Fanale ant.	Headlight	-	-	-	-	LV076001000 033	1
2	Fanale ant.c/o guida sx	Cpl headlightsteering headligh	-	-	-	-	LV076001000 034	1
3	Piastrina	Plate	-	-	-	-	LV033002000 050	1
4	Lampadina 12V 60/55W H4	Lamp 12V 60/55W H4	-	-	-	-	LV076001V0 4016	2
5	Portalampada	Lampholder	-	-	-	-	LV076001000 030	2
6	Cuffia	Guard	-	-	-	-	LV076001000 031	2
7	Lampadina 12V 5W	Lamp 12V 5W	-	-	-	-	LV076001000 026	1
8	Rosetta 6,5X18X1,5	Washer 6,5X18X1,5	-	-	-	-	LV033001V1 1060	4
9	Lampadina 12V 5/21W	Lamp 12V 5/21W	-	-	-	-	LV076001V0 4969	1
10	Fanale post.	Taillight	-	-	-	-	LV076001000 003	1
11	Distanziale 7X10X7,5	Spacer 7X10X7,5	-	-	-	-	LV034003000 061	2
12	Dado autobloc. M6	Self-locking nut M6	-	-	-	-	LV030015000 021	6
13	Passacavo	Fairlead	-	-	-	-	LV058002V0 0102	3
14	Indicatore dire.ant.dx/post.sx	RH front/LH rear turn indic.	-	-	-	-	LV076001000 036	2
15	Lampadina 12V-10W	Lamp 12V-10W	-	-	-	-	LV076001V0 4249	4
16	Indicatore dire.ant.sx/post.dx	LH front/RH rear turn indic.	-	-	-	-	LV076001000 037	2
17	Catadiottro	Reflector	-	-	-	-	LV071003000 003	1
18	Rosetta in gomma	Rubber washer	-	-	-	-	LV055001000 066	2
19	Vite TCEI M5X25	Hex socket screw M5X25	-	-	-	-	LV030007000 019	2
20	Vite TCBEI M5X16	Screw TCBEI M5X16	-	-	-	-	LV030010000 032	2
21	Vite TC M5X60	Screw TC M5X60	-	-	-	-	LV030005000 015	1

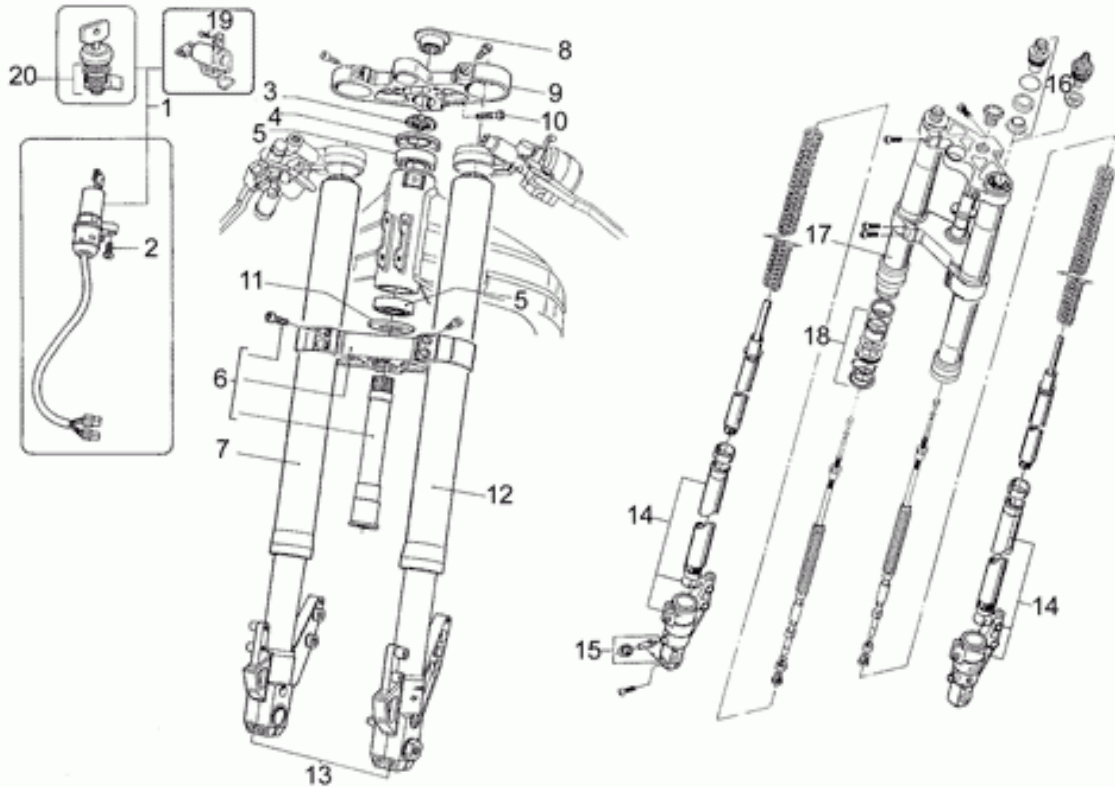


Ref.	Descrizione	Description	Year	I.M.	Country	Version	Code	Qty
22	Molla registro fanale	Headlight adjuster spring	-	-	-	-	LV050001000 034	1
23	Vite TCBEI M6X16	Screw TCBEI M6X16	-	-	-	-	LV030010000 009	4
24	Rosetta 6,4X16X1	Washer 6,4X16X1	-	-	-	-	LV033001V1 1050	2
25	Rosetta 7,5X21X1,5	Washer 7,5X21X1,5	-	-	-	-	LV033001V1 1230	2
26	Rosetta 4,3X9X0,8	Washer 4,3X9X0,8	-	-	-	-	LV033001V1 0420	2
27	Dado autobloc. M4	Self-locking nut M4	-	-	-	-	LV030005V3 3083	2
28	Piastrina	Plate	-	-	-	-	LV033002000 051	1

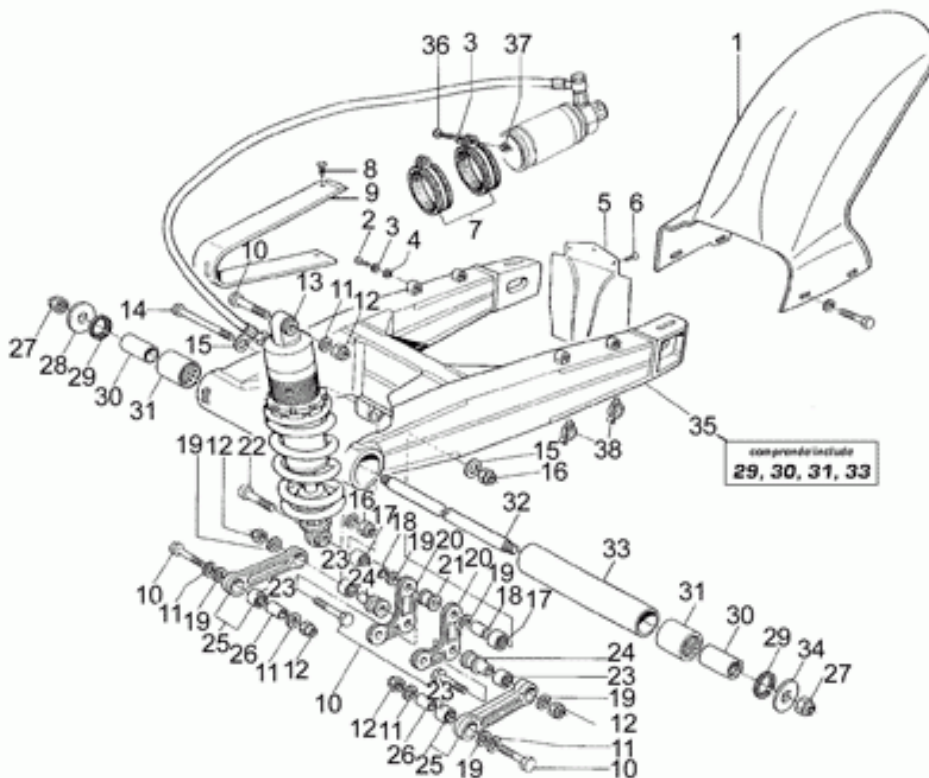


Ref.	Descrizione	Description	Year	I.M.	Country	Version	Code	Qty
1	Kit serrature	Lock hardware kit	-	-	-	-	LV061009000	1
2	Vite a strappo M8X18	Shear rivet M8X18	-	-	-	-	LV030004V9	2
3	Ghiera M25X1	Ring nut M25X1	-	-	-	-	LV030020000	1
4	Rosetta	Washer	-	-	-	-	LV058001V0	1
5	Cuscinetto a rulli 25X52X16,25	Roller bearing 25X52X16,25	-	-	-	-	LV022002V0	2
6	Piastra inf.forcella nero	Lower fork plate, black	-	-	-	Black	LV060002000	1
	Piastra inf.forcella argento	Lower fork plate, silver	-	-	-	Silver	LV060002000	1
7	Stelo dx cpl.	RH hub cpl.	-	-	-	-	LV060002000	1
	Stelo dx cpl.oro	RH hub cpl., gold	-	-	-	1a-T1	LV060002000	1
	Stelo dx cpl.oro	RH hub cpl., gold	-	-	-	2a	LV060002000	1
8	Tappo cannotto	Plug	-	-	-	-	LV030016000	1
9	Piastra sup.forcella nero	Fork head black	-	-	-	Black	LV060002000	1
	Piastra sup.forcella argento	Fork head, silver	-	-	-	Silver	LV060002000	1
10	Vite TCEI M8X35	Hex socket screw M8X35	-	-	-	-	LV030007000	3
11	Rosetta	Washer	-	-	-	-	LV033002V7	1
12	Stelo sx cpl.	LH hub cpl.	-	-	-	-	LV060002000	1
	Stelo sx cpl.oro	LH hub cpl., gold	-	-	-	1a-T1	LV060002000	1
	Stelo sx cpl.oro	LH hub cpl., gold	-	-	-	2a	LV060002000	1
13	Forcella cpl.	Front fork	-	-	-	-	LV060002000	1
14	Steli-coppia	Sleeves-Pair	-	-	-	-	LV019001000	1
15	Valvola pressione	Pressure valve	-	-	-	-	LV019001000	1



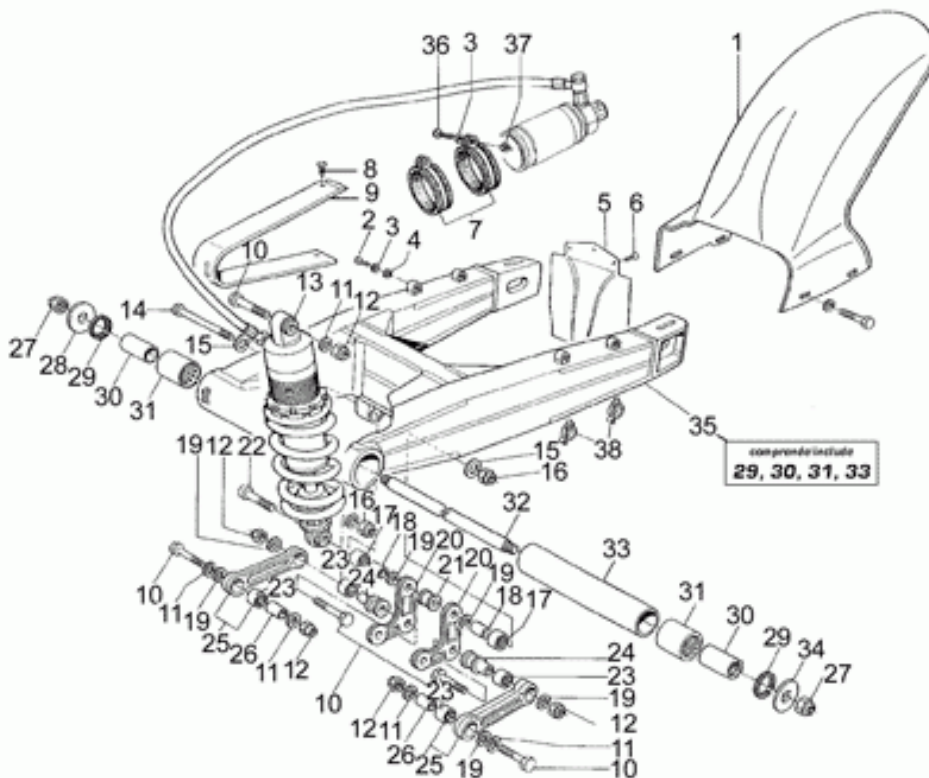


Ref.	Descrizione	Description	Year	I.M.	Country	Version	Code	Qty
16	Tappo canotto	Plug	-	-	-	-	LV060002000 076	2
17	Fodero	Sleeve	-	-	-	-	LV060002000 079	2
18	Kit revisione forcella	Front fork revision kit	-	-	-	-	LV019001000 023	1
19	Vite a strappo M6X8	Shear rivet M6X8	-	-	-	-	LV030004V9 0100	2
20	Serratura sella	Saddle lock	-	-	-	-	LV019001000 058	1

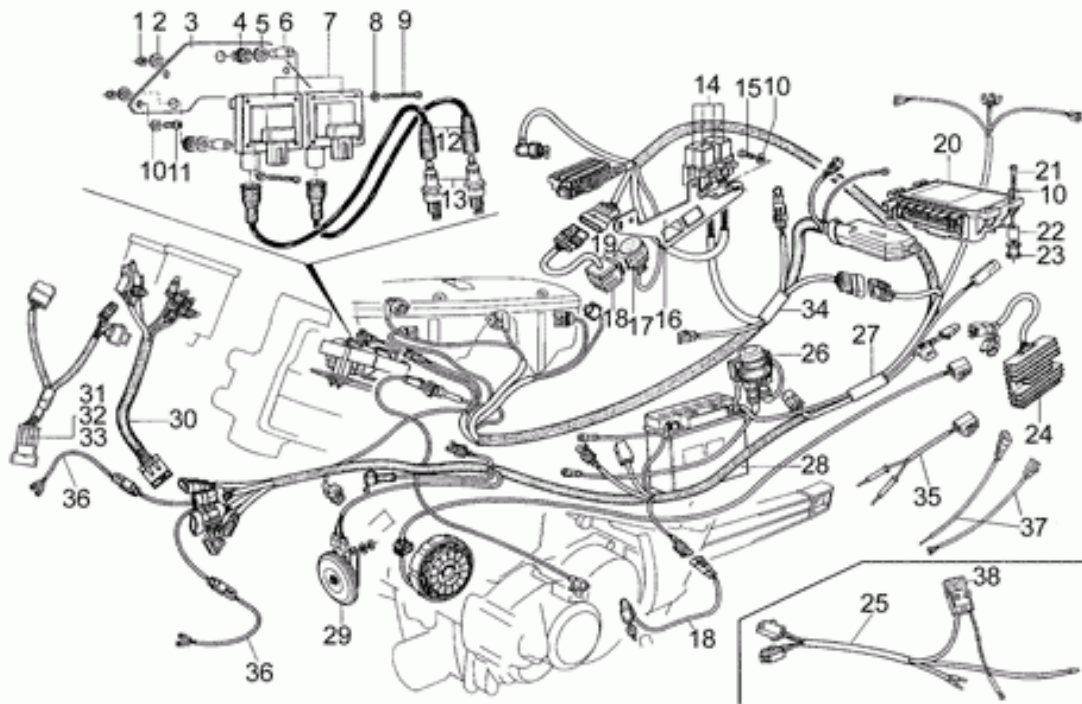


Ref.	Descrizione	Description	Year	I.M.	Country	Version	Code	Qty
1	Copriruota posteriore	Rear wheel cap	-	-	-	-	LV061009000 151E	1
2	Vite TCBEI M6X12	Screw TCBEI M6X12	-	-	-	-	LV030010000 007	4
3	Rosetta elastica 6 mm	Spring washer 6 mm	-	-	-	-	LV033001000 013	6
4	Rosetta 6,5X18X1,5	Washer 6,5X18X1,5	-	-	-	-	LV033001000 087	4
5	Paraspruzzi	Splash guard	-	-	-	-	LV061009000 184	1
6	Vite autof. 4,2X13	Self-tap screw 4,2X13	-	-	-	-	LV030004V9 0739	2
7	Fascetta	Hose clamp	-	-	-	-	LV037001000 024	2
8	Vite TSPEI M6X20	Screw M6X20	-	-	-	-	LV030003V8 2063	2
9	Pattino guidacatena	Chain guide plate	-	-	-	-	LV031003000 007	1
10	Vite TE M10X55	Hex screw M10X55	-	-	-	-	LV030002V1 4193	5
11	Rosetta 1,5X21X2	Washer 1,5X21X2	-	-	-	-	LV033001V1 3050	5
12	Dado autobloc. M10	Self-locking nut M10	-	-	-	-	LV030005V3 0203	5
13	Ammortizzatore	Shock absorber	-	-	-	-	LV060005000 014	1
14	Vite TE M10X120	Hex screw M10X120	-	-	-	-	LV030001000 035	1
15	Rosetta 10,5X24X1	Washer 10,5X24X1	-	-	-	-	LV033001V1 3310	2
16	Dado autobloc. M10	Self-locking nut M10	-	-	-	-	LV030005V3 2203	2
17	Astuccio a rullini 22X16X14	Needle bearing 22X16X14	-	-	-	-	LV022008000 013	4
18	Distanziale bielletta	Connecting rod spacer	-	-	-	-	LV034003000 053	2
19	Rosetta 10X23X2,6	Washer 10X23X2,6	-	-	-	-	LV033001000 038	6
20	Leva	Lever	-	-	-	-	LV043002000 018	2
21	Distanziale	Spacer	-	-	-	-	LV034003000 042	1

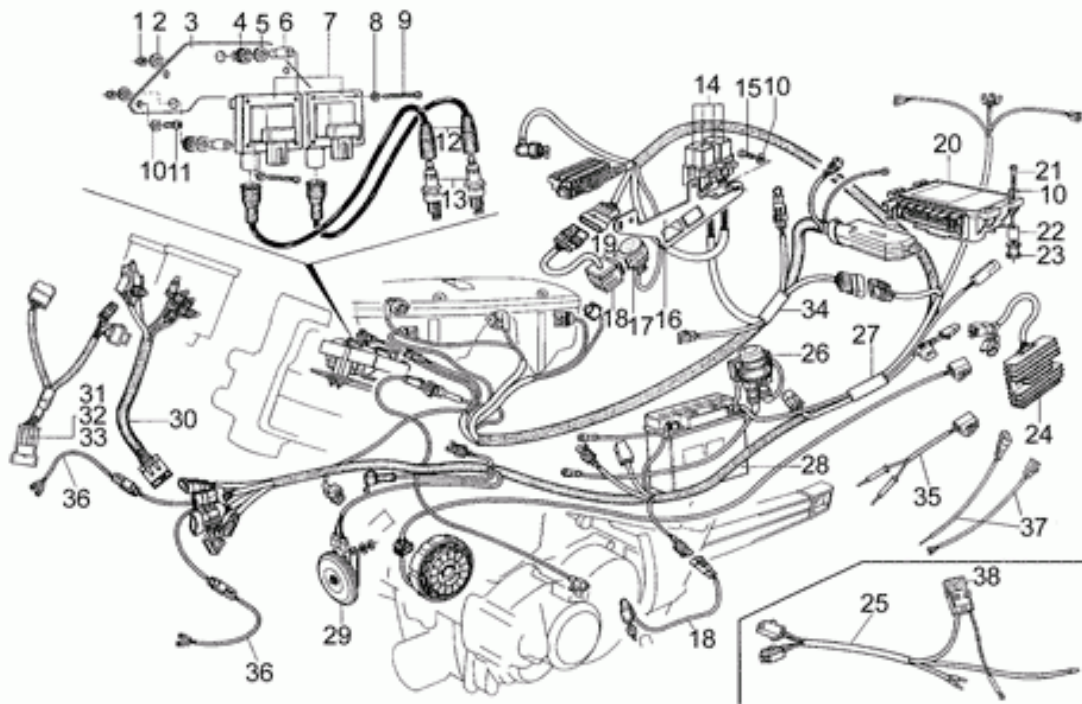




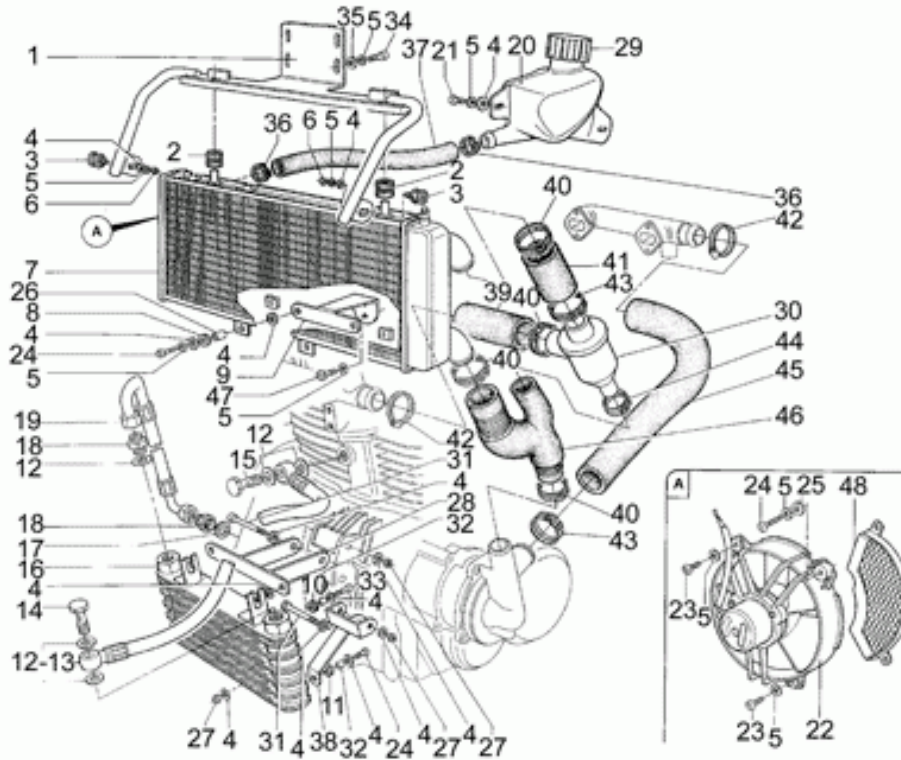
Ref.	Descrizione	Description	Year	I.M.	Country	Version	Code	Qty
22	Vite TE M10X55	Hex screw M10X55	-	-	-	-	LV030002V1 4193	1
23	Astuccio a rullini 22X16X16	Needle bearing 22X16X16	-	-	-	-	LV022008000 012	4
24	Alberino	Shaft pin	-	-	-	-	LV034003000 054	2
25	Bielletta e ammortizzatore	Connecting rod and shock absorber	-	-	-	-	LV043001000 011	2
26	Bussola	Bush	-	-	-	-	LV021003000 022	2
27	Dado autobloc. M14X1,5	Self-locking nut M14X1,5	-	-	-	-	LV030015000 014	2
28	Rosetta	Washer	-	-	-	-	LV033001000 034	1
29	Paraolio 25/32X4	Oil seal 25/32X4	-	-	-	-	LV055002000 022	2
30	Distanziale	Spacer	-	-	-	-	LV034003000 040	2
31	Astuccio a rullini 25X32X38	Needle bearing 25X32X38	-	-	-	-	LV022008000 014	2
32	Perno forcellone	Rear swing arm pin	-	-	-	-	LV034002000 027	1
33	Distanziale int.	Internal spacer	-	-	-	-	LV034003000 039	1
34	Rosetta 14,5X27X2	Washer 14,5X27X2	-	-	-	-	LV033001V1 4140	1
35	Forcellone	Swing arm	-	-	-	-	LV060003000 055W	1
36	Vite TCBEI M6X16	Screw TCBEI M6X16	-	-	-	-	LV030010000 009	2
37	Dado autobloc. M6	Self-locking nut M6	-	-	-	-	LV030015000 021	2
38	Fascetta	Hose clamp	-	-	-	-	LV037001000 010	2



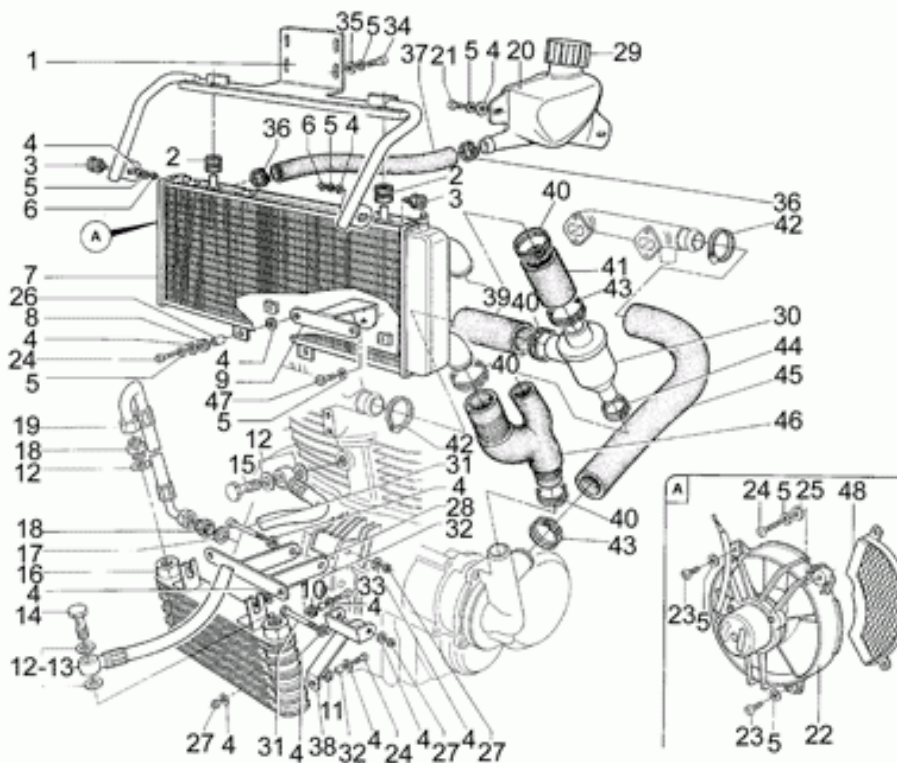
Ref.	Descrizione	Description	Year	I.M.	Country	Version	Code	Qty
1	Dado autobloc. M4	Self-locking nut M4	-	-	-	-	LV030005V3 3083	4
2	Rosetta 4,3X16X1,5	Washer 4,3X16X1,5	-	-	-	-	LV033001V1 0041	4
3	Piastra supporto bobina	Coil support plate	-	-	-	-	LV060001000 262	1
4	Passacavo	Fairlead	-	-	-	-	LV058002V0 0193	4
5	Rosetta 8,4X17X1,6	Washer 8,4X17X1,6	-	-	-	-	LV033001V1 2030	4
6	Distanziale	Spacer	-	-	-	-	LV034001000 015	4
7	Bobina A.T.	HT coil	-	-	-	-	LV077003000 008	2
8	Rosetta 4,3X9X0,8	Washer 4,3X9X0,8	-	-	-	-	LV033001V1 0420	4
9	Vite TC M4X60	Special cap screw M4X60	-	-	-	-	LV030005000 004	4
10	Rosetta elastica 6 mm	Spring washer 6 mm	-	-	-	-	LV033001000 013	10
11	Vite TCBEI M6X16	Screw TCBEI M6X16	-	-	-	-	LV030010000 009	4
12	Pipetta candela	Sparkplug cap	-	-	-	-	LV073002000 009	2
13	Candela Champion RA59GC	Spark plug Champion RA59GC	-	-	-	-	LV073002000 010	2
14	Rele'	Relay	-	-	-	-	LV073001000 012	4
15	Vite TBEI M6X10	Hex socket screw M6X10	-	-	-	-	LV030010000 040	2
16	Supporto compon.elettrici	El.components support	-	-	-	-	LV021001000 260	1
17	Intermittenza	Flasher unit	-	-	-	-	LV071003V1 6105	1
18	Interruttore cavalletto	Lateral stand switch	-	-	-	-	LV019001000 087	1
19	Supporto rele'	Relais support	-	-	-	-	LV021001000 268	2
20	Centralina iniezione	Injection control unit	-	-	-	-	LV077003000 015	1
21	Vite TCBEI M6X35	Screw TCBEI M6X35	-	-	-	-	LV030010000 013	4



Ref.	Descrizione	Description	Year	I.M.	Country	Version	Code	Qty
22	Distanziale 6,5X18X20,5	Spacer 6,5X18X20,5	-	-	-	-	LV034003000 087	4
23	Silent block 20X14- 5X19	Silent-block 20X14- 5X19	-	-	-	-	LV050003000 033	4
24	Regolatore di tensione	Voltage regulator	-	-	-	-	LV073003000 025W	1
	Regolatore di tensione	Voltage regulator	-	-	-	K	LV019001000 078	1
25	Cablaggio regolatore Nissho	Regulator wiring Nissho	-	-	-	-	LV071001000 072	1
26	Rele'	Relay	-	-	-	-	LV073005000 006	1
27	Impianto elettrico	Electrical system	-	-	-	6c	LV071001000 065	1
	Impianto elettrico	Electrical system	-	-	-	8c	LV071001000 070	1
28	Batteria	Battery	-	-	-	-	LV072004000 006	1
29	Claxon	Horn	-	-	-	-	LV076005000 004	1
30	Cablaggio cruscotto	Dashboard cable	-	-	-	-	LV071001000 053	1
31	Cablaggio fanale ant.	Headlight wiring w/harness	-	-	-	-	LV071001000 054	1
32	Cablaggio fanale ant.guida sx	Headlight wiring headligh	-	-	-	-	LV071001000 055	1
33	Cablaggio rele'-motore	Relay-motor cable	-	-	-	-	LV071001000 056	1
34	Cablaggio iniezione	Injection wiring	-	-	-	6c	LV071001000 066	1
	Cablaggio iniezione	Injection wiring	-	-	-	8c	LV071001000 076	1
35	Cablaggio alternat.-regolatore	Alternator-regulator wiring	-	-	-	200	LV071001000 077	1
	Cablaggio alternat.-regolatore	Alternator-regulator wiring	-	-	-	700	LV071001000 074	1
36	Cablaggio lampeggiatore	Flashing light wiring	-	-	-	-	LV071001000 078	2
37	Cablaggio ventole	Fans wiring	-	-	-	-	LV071001000 073	1
38	Fusibile	Fuse	-	-	-	-	LV073001000 017	1

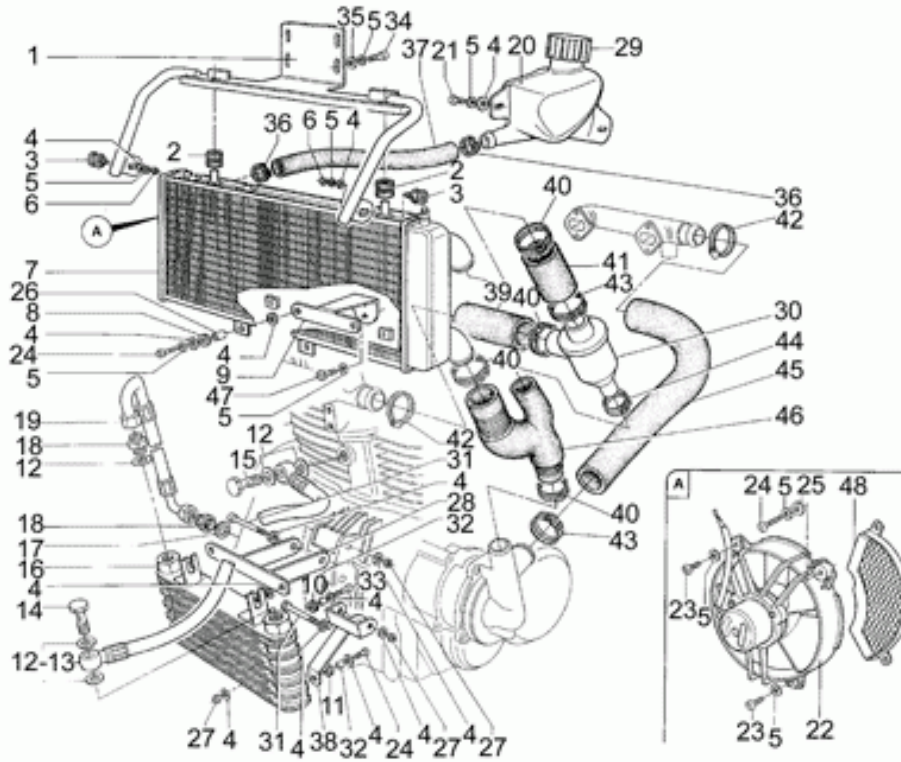


Ref.	Descrizione	Description	Year	I.M.	Country	Version	Code	Qty
1	Supporto sup.radiatore	Water cooler upper support	-	-	-	-	LV021001000 270	1
2	Gommino supporto radiatore	Rubber water cooler supp.	-	-	-	-	LV050003000 037	2
3	Silent block 25X20	Silent-block 25X20	-	-	-	-	LV050002V1 0966	2
4	Rosetta 6,5X18X1,5	Washer 6,5X18X1,5	-	-	-	-	LV033001000 087	18
5	Rosetta elastica 6 mm	Spring washer 6 mm	-	-	-	-	LV033001000 013	11
6	Dado M6	Nut M6	-	-	-	-	LV030005V1 1123	2
7	Radiatore	Water cooler	-	-	-	-	LV061009000 222	1
8	Passacavo	Fairlead	-	-	-	-	LV058002V0 0115	2
9	Supporto inf.radiatore	Lower water cooler support	-	-	-	-	LV021001000 271	1
10	Passacavo	Fairlead	-	-	-	-	LV058002V0 0102	2
11	Passacavo	Fairlead	-	-	-	-	LV058002000 001	2
12	Rosetta in rame 14X20X1	Copper washer 14X20X1	-	-	-	-	LV033001V1 4224	5
13	Tubo ritorno olio	Oil return pipe	-	-	-	-	LV036002000 046	1
14	Vite tubo olio M14X1,5	Oil pipe screw M14X1,5	-	-	-	-	LV030011000 037	1
15	Vite tubo olio 9/16 - UNF 18	Oil pipe screw 9/16 - UNF 18	-	-	-	-	LV030011000 032	1
16	Radiatore olio	Oil cooler	-	-	-	-	LV061009000 215	1
17	Rosetta in rame 14,25X20X1,5	Copper washer 14,25X20X1,5	-	-	-	-	LV033001V1 4274	1
18	Nipplo N/M M14X1,5-9/16UNF	Nipple N/M M14X1,5-9/16UNF	-	-	-	-	LV037002000 033	2
19	Tubo mandata olio	Pipe	-	-	-	-	LV036002000 045	1
20	Vaso d'espansione	Expansion tank	-	-	-	-	LV061001000 006	1
21	Vite TCBEI M6X16	Screw TCBEI M6X16	-	-	-	-	LV030010000 009	2



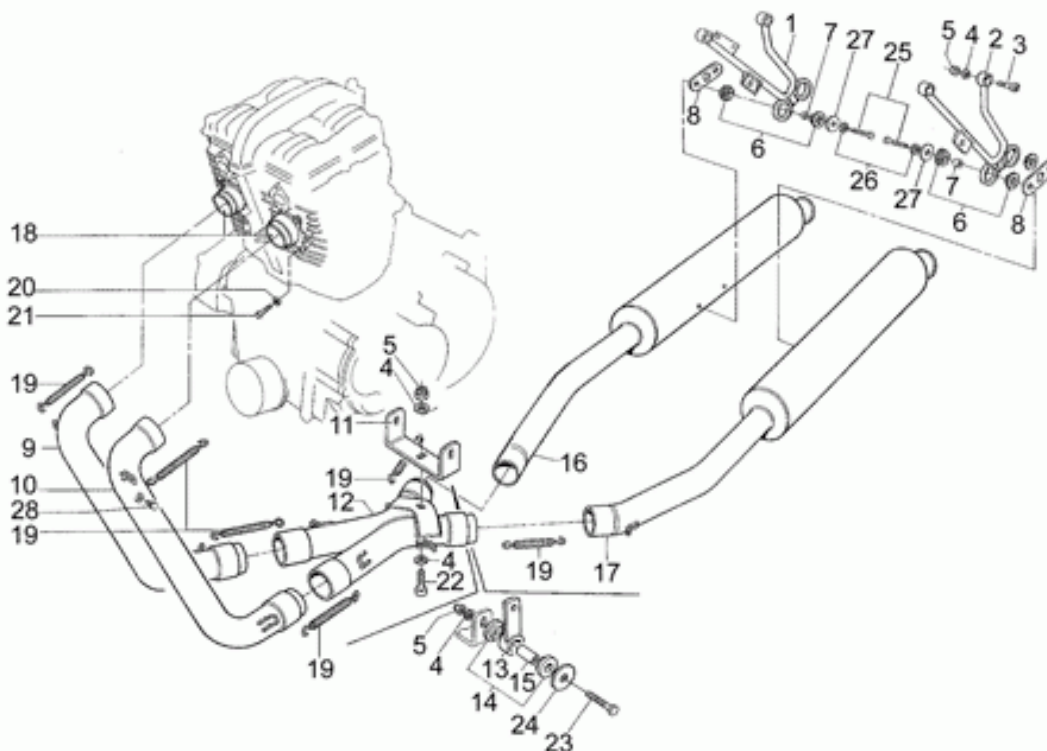
Ref.	Descrizione	Description	Year	I.M.	Country	Version	Code	Qty
22	Elettroventola	Electric fan	-	-	-	MA	LV077004000 002	1
	Elettroventola	Electric fan	-	-	-	T2	LV077004000 001	1
23	Vite TCBEI M6X12	Screw TCBEI M6X12	-	-	-	-	LV030010000 007	2
24	Vite TCBEI M6X20	Screw TCBEI M6X20	-	-	-	-	LV030010000 045	1
25	Rosetta 6,5X14X1,5	Washer 6,5X14X1,5	-	-	-	-	LV033001V1 1020	1
26	Distanziale 7X10X9	Spacer 7X10X9	-	-	-	-	LV034005V1 0176	2
27	Dado autobloc. M6	Self-locking nut M6	-	-	-	-	LV030015000 021	4
28	Supporto sup.radiatore	Water cooler upper support	-	-	-	-	LV021001000 263	1
29	Tappo vaso d'espansione	Expansion tank plug	-	-	-	-	LV055004000 025	1
30	Termostato	Thermostat	-	-	-	-	LV071003000 020	1
31	Vite TCEI M6X70	Hex socket screw M6X70	-	-	-	-	LV030003V6 2223	2
32	Distanziale 7X10X7,5	Spacer 7X10X7,5	-	-	-	-	LV034003000 061	3
33	Vite TCBEI M6X25	Screw TCBEI M6X25	-	-	-	-	LV030010000 047	2
34	Vite TCEI M6X20	Hex socket screw M6X20	-	-	-	-	LV030003V6 2083	4
35	Rosetta 6,4X12,5X1,6	Washer 6,4X12,5X1,6	-	-	-	-	LV033001000 086	4
36	Fascetta DM 18X19,5	Hose clamp DM 18X19,5	-	-	-	-	LV037001000 028	2
37	Tubo acqua 12X19	Water pipe 12X19	-	-	-	-	LV036002000 049	1
38	Supporto inf.radiatore	Lower water cooler support	-	-	-	-	LV021001000 264	1
39	Tubo acqua 25X33	Water pipe 25X33	-	-	-	-	LV036002000 050	1
40	Fascetta DM 30,5X32,5	Hose clamp DM 30,5X32,5	-	-	-	-	LV037001000 026	4
41	Tubo acqua 25X33	Water pipe 25X33	-	-	-	-	LV036002000 051	1



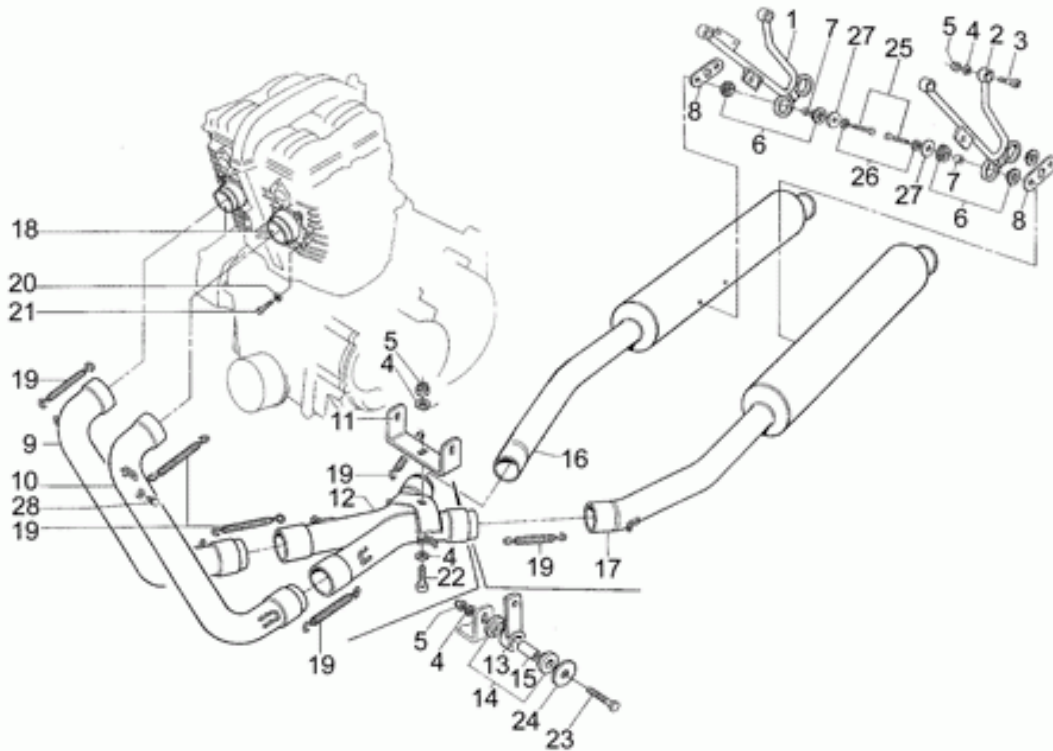


Ref.	Descrizione	Description	Year	I.M.	Country	Version	Code	Qty
42	Fascetta 25-40	Hose clamp 25-40	-	-	-	-	LV037001V1 0800	2
43	Fascetta DM 33X35	Hose clamp DM 33X35	-	-	-	-	LV037001000 027	2
44	Fascetta DM 24,5X26,5	Hose clamp DM 24,5X26,5	-	-	-	-	LV037001000 029	1
45	Tubo mandata acqua	Delivery water pipe	-	-	-	-	LV036002000 043	1
46	Manicotto ingresso acqua	Pump inlet water	-	-	-	-	LV036002000 048	1
47	Vite TCEI M6X16	Hex socket screw M6X16	-	-	-	-	LV030007000 025	2
48	Protezione ventola	Fan cover	-	-	-	MA	LV058003000 004	1

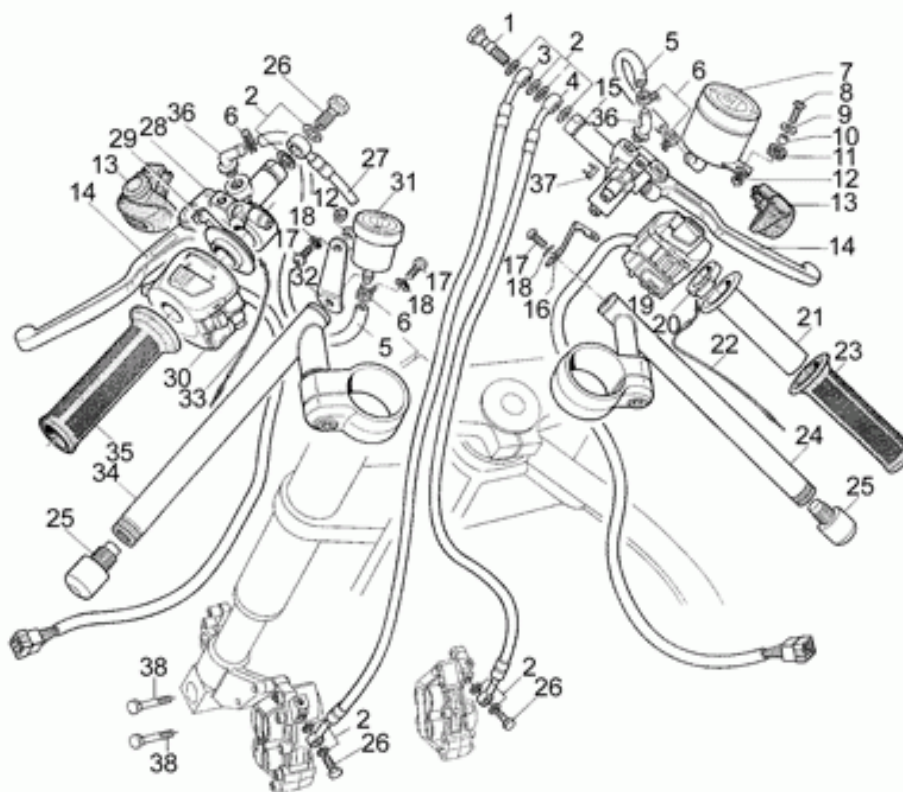




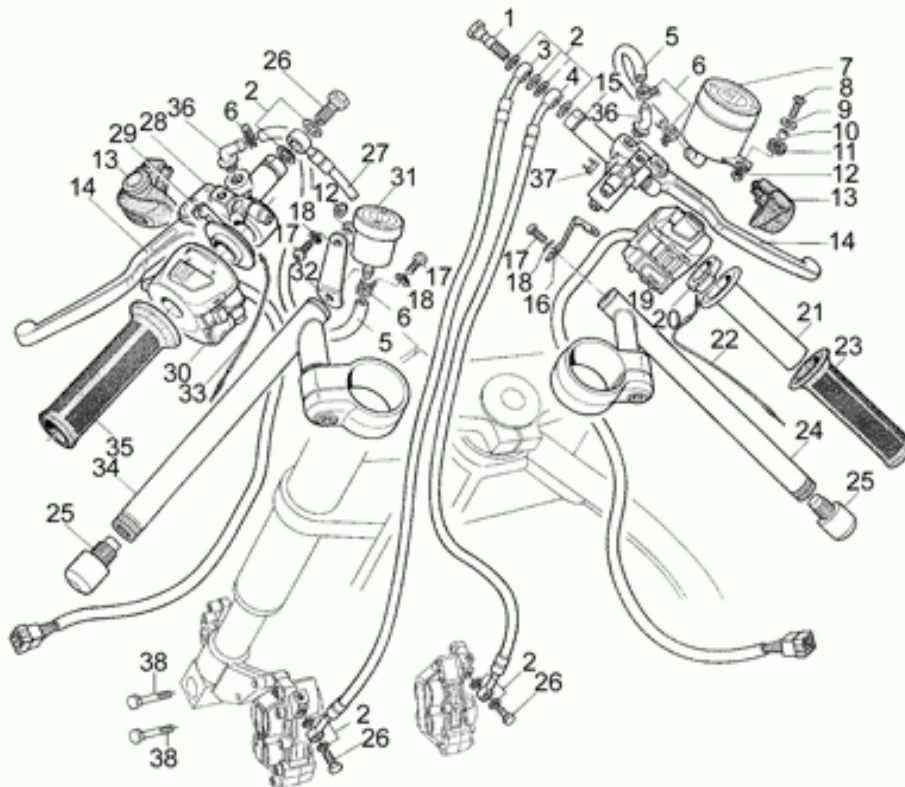
Ref.	Descrizione	Description	Year	I.M.	Country	Version	Code	Qty
1	Supporto pedana pass.dx	RH footrest support	-	-	-	-	LV021001000 265	1
2	Supporto pedana pass.sx	LH footrest support	-	-	-	-	LV021001000 266	1
3	Vite TCEI M8X25	Hex socket screw M8X25	-	-	-	-	LV030003V6 3109	4
4	Rosetta 8,4X17X1,6	Washer 8,4X17X1,6	-	-	-	-	LV033001V1 2030	8
5	Dado autobloc. M8	Self-locking nut M8	-	-	-	-	LV030005V3 2163	7
6	Gommino marmitta	Rubber exhaust	-	-	-	-	LV050003000 018	8
7	Distanziale	Spacer	-	-	-	-	LV034003000 089	4
8	Piastrina sup.	Support plate	-	-	-	-	LV033002000 043	2
9	Tubo scarico dx	RH exhaust pipe	-	-	-	-	LV063001000 007	1
10	Tubo scarico sx	LH exhaust pipe	-	-	-	-	LV063001000 008	1
11	Staffa supporto	Support bracket	-	-	-	-	LV021001000 279	1
12	Tubo scarico cent.	Central exhaust pipe	-	-	-	-	LV063003000 015	1
13	Staffa supporto	Support bracket	-	-	-	-	LV021001000 148	2
14	Gommino	Rubber spacer	-	-	-	-	LV050004V0 2102	4
15	Distanziale	Spacer	-	-	-	-	LV034005V1 0146	2
16	Silenziatore dx	RH silencer	-	-	-	-	LV063005000 024	1
17	Silenziatore sx	LH silencer	-	-	-	-	LV063005000 025	1
18	Flangia marmitta	Exhaust flange	-	-	-	-	LV037002000 032	2
19	Molla tubi scarico	Exhaust pipes spring	-	-	-	-	LV050001000 033	6
20	Rosetta Grower d.6	Washer d.6	-	-	-	-	LV033001000 075	7
21	Vite TCEI M6X20	Hex socket screw M6X20	-	-	-	-	LV030007000 009	6



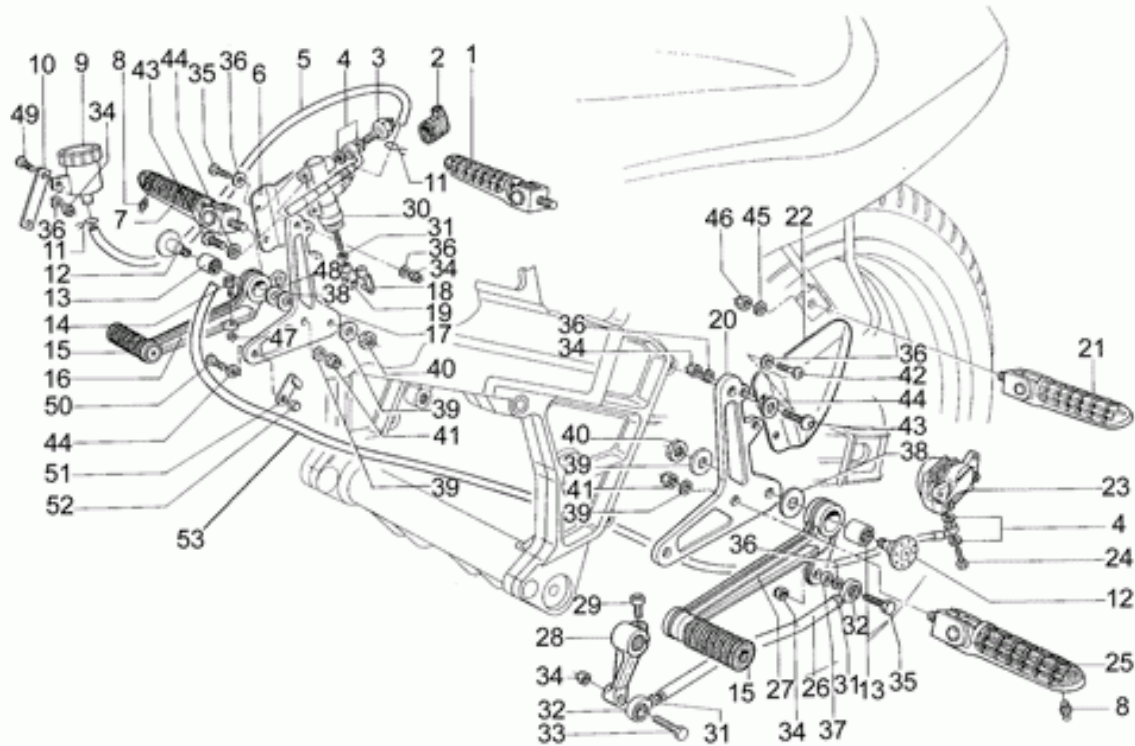
Ref.	Descrizione	Description	Year	I.M.	Country	Version	Code	Qty
22	Vite TCEI M8X22	Hex socket screw M8X22	-	-	-	-	LV030003V6 3093	1
23	Vite M8X45	Screw M8X45	-	-	-	-	LV030002V1 3173	2
	Vite TE M8X50	Hex screw M8X50	-	-	-	-	LV030002V1 3183	2
24	Rosetta 8,5X28X2	Washer 8,5X28X2	-	-	-	-	LV033001V1 2231	2
25	Vite TCBEI M8X30	Screw TCBEI M8X30	-	-	-	-	LV030010000 019	4
26	Rosetta elastica d.8	Spring washer d.8	-	-	-	-	LV033001V2 0033	4
27	Rosetta 8,5X35,5X1,5	Washer 8,5X35,5X1,5	-	-	-	-	LV033001V1 2100	4
28	Vite TE G1/8	Hex screw G1/8	-	-	-	-	LV030016000 055	2



Ref.	Descrizione	Description	Year	I.M.	Country	Version	Code	Qty
1	Raccordo tubo olio	Oil hose union	-	-	-	-	LV030011000 021	1
2	Rosetta in rame 10,2X14X1,5	Copper washer 10,2X14X1,5	-	-	-	T3	LV033001000 031	10
	Rosetta in alluminio	Aluminium washer	-	-	-	T4	LV033001000 091	9
3	Tubo freno ant.	Front brake pipe	-	-	-	T3 Black	LV047003000 018	1
	Tubo olio freno ant.	Front brake line	-	-	-	T4 Silver	LV047003000 031	1
4	Tubo freno ant.dx	Front RH brake pipe	-	-	-	T3 Black	LV047003000 019	1
	Tubo olio freno ant.dx	Front RH brake line	-	-	-	T4 Silver	LV047003000 032	1
5	Tubo olio freno 5/9 mm	Brake fluid line 5/9 mm	-	-	-	-	LV002006000 037	1
6	Fascetta stringitubo CE 08	Hose clamp CE 08	-	-	-	-	LV037001V2 4600	4
7	Serbatoio olio freni	Brake oil tank	-	-	-	-	LV047002000 051	1
8	Vite TCBEI M6X20	Screw TCBEI M6X20	-	-	-	-	LV030010000 045	1
9	Rosetta 6,5X18X1,5	Washer 6,5X18X1,5	-	-	-	-	LV033001000 087	1
10	Distanziale	Spacer	-	-	-	-	LV034005V1 0009	1
11	Passacavo	Fairlead	-	-	-	-	LV058002V0 0193	1
12	Dado autobloc. M6	Self-locking nut M6	-	-	-	-	LV030015000 021	2
13	Gommino per leva	Lever rubber	-	-	-	-	LV055003000 010	2
14	Leva	Lever	-	-	-	-	LV043002000 020	2
15	Pompa freno ant.	Front brake pump	-	-	-	-	LV047002000 046	1
16	Staffa supporto serbatoio	Tank support bracket	-	-	-	-	LV021001000 119	1
17	Vite TCBEI M6X12	Screw TCBEI M6X12	-	-	-	-	LV030010000 007	3
18	Rosetta elastica 6 mm	Spring washer 6 mm	-	-	-	-	LV033001000 013	3

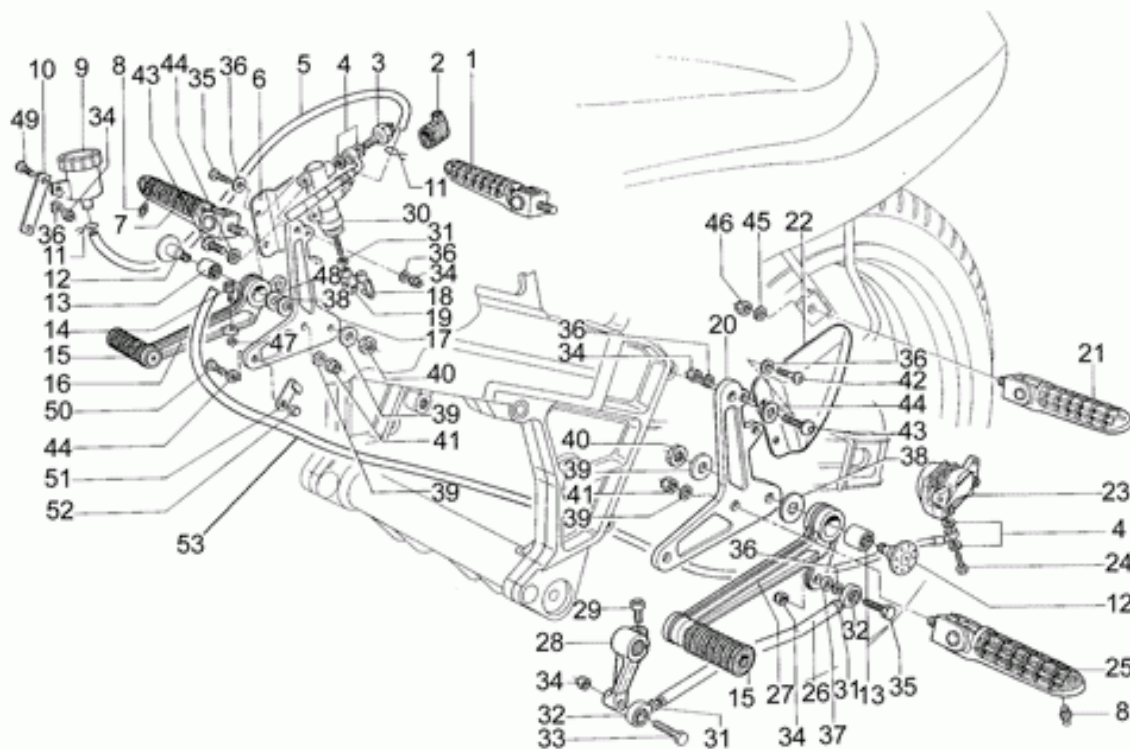


Ref.	Descrizione	Description	Year	I.M.	Country	Version	Code	Qty
19	Devioluci dx con cablaggio	RH lights sel. w/wiring	-	-	-	-	LV060004000 038	1
20	Rosetta	Washer	-	-	-	-	LV060004000 028	1
21	Tubo gas s.za manopola	Throttle pipe w/out hand grip	-	-	-	-	LV060004000 026	1
22	Trasmissione comando gas	Gas lever transmission	-	-	-	-	LV036001000 019	1
23	Manopola dx	RH hand grip	-	-	-	-	LV060004000 024	1
24	Semimanubrio dx	Right half handlebar	-	-	-	-	LV060004000 036	1
25	Peso antivibrante manubrio	H.bars anti.v weight	-	-	-	-	LV060004000 029	2
26	Raccordo tubo olio M10X1	Oil hose union M10X1	-	-	-	-	LV030011000 016	3
27	Tubo frizione	Clutch pipe	-	-	-	T3 Black	LV047003000 020	1
	Tubo olio	Oil pipe	-	-	-	T4 Silver	LV047003000 033	1
28	Pompa frizione	Clutch pump	-	-	-	-	LV047002000 045	1
29	Comando starter	Choke control	-	-	-	-	LV060004000 027	1
30	Devioluci sx con cablaggio	LH lights sel. w/wiring	-	-	-	-	LV060004000 039	1
31	Serbatoio olio freni	Brake oil tank	-	-	-	-	LV047002000 050	1
32	Supporto serbatoio olio	Oil tank support	-	-	-	-	LV021001000 149	1
33	Cavo starter	Choke cable	-	-	-	-	LV036001000 018	1
34	Semimanubrio sx	Left half handlebar	-	-	-	-	LV060004000 037	1
35	Manopola sx	LH hand grip	-	-	-	-	LV060004000 025	1
36	Raccordo	Union	-	-	-	-	LV037002000 034	2
37	Interruttore stop	Brake light switch	-	-	-	-	LV071003000 011	1
38	Vite TCEI M10X35	Hex socket screw M10X35	-	-	-	-	LV030003V6 4143	4



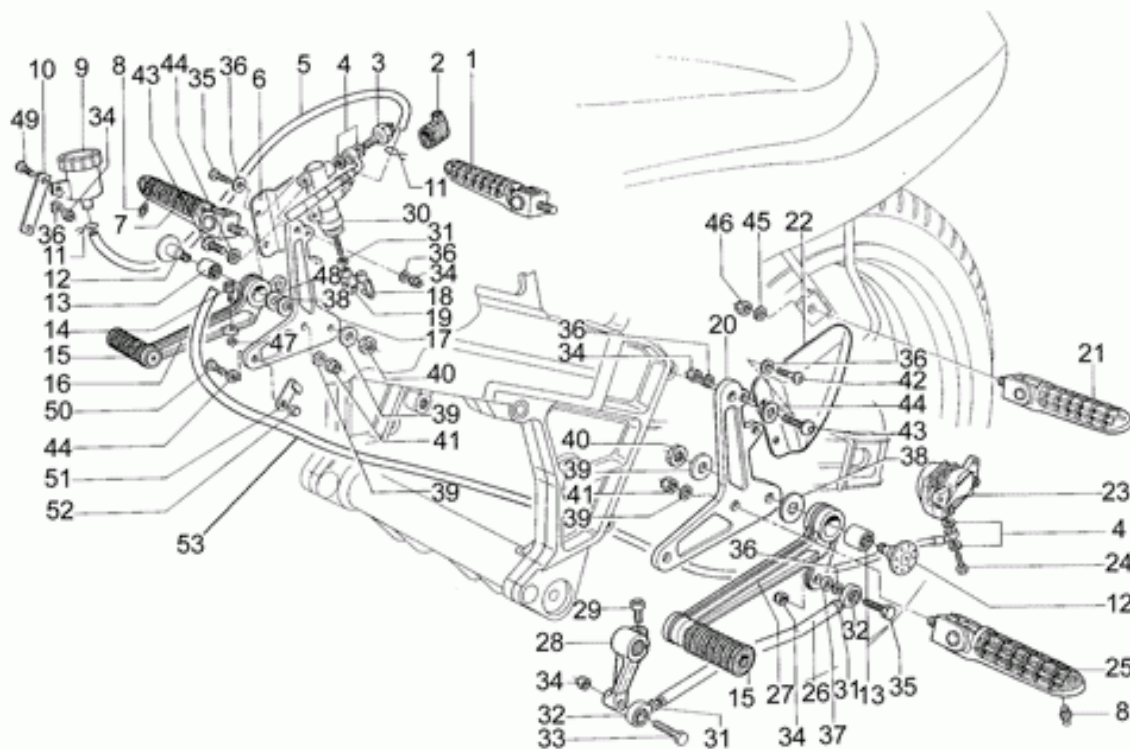
Ref.	Descrizione	Description	Year	I.M.	Country	Version	Code	Qty
1	Pedana pass.dx	Rear footrest, RH	-	-	-	-	LV061009000 123	1
2	Cappuccio	Cap	-	-	-	-	LV058002V0 0105	1
3	Interruttore Idrostop	Switch Idrostop	-	-	-	-	LV071003000 012	1
4	Rosetta in alluminio	Aluminium washer	-	-	-	-	LV033001000 091	4
5	Tubo olio freno 5/9 mm	Brake fluid line 5/9 mm	-	-	-	-	LV002006000 037	1
6	Protezione pedana pass.dx	RH rear footrest guard	-	-	-	-	LV061009000 112	1
7	Pedana ant.dx	Front RH footrest	-	-	-	-	LV061009000 162	1
8	Perno di strisciamento pedana	Footrest pin	-	-	-	-	LV030011000 020	2
9	Serbatoio olio freni	Brake oil tank	-	-	-	-	LV047002000 050	1
10	Staffa supporto serbatoio	Tank support bracket	-	-	-	-	LV021001000 196	1
11	Fascetta stringitubo CE 08	Hose clamp CE 08	-	-	-	-	LV037001V2 4600	2
12	Perno leva	Lever pin	-	-	-	BR	LV034002000 053	2
	Perno leva	Lever pin	-	-	-	GR	LV034002000 023	2
13	Bronzina 15X20X15	Bushing 15X20X15	-	-	-	-	LV021002000 001	2
	Gabbia a rulli 15X21X16	Roller cage 15X21X16	-	-	-	-	LV022008000 011	2
14	Silent-block 15/10	Silent-block 15/10	-	-	-	-	LV050003000 014	1
15	Gommino per leva	Lever rubber	-	-	-	-	LV050004000 012	2
16	Leva freno post.	Rear brake lever	-	-	-	-	LV043002000 033	1
17	Supporto pedana pilota dx	RH front footrest bracket	-	-	-	-	LV021001000 220	1
18	Clip M6	Clip M6	-	-	-	-	LV043007V0 2017	1
19	Forcella M6X1	Front fork M6X1	-	-	-	-	LV043007V0 2016	1



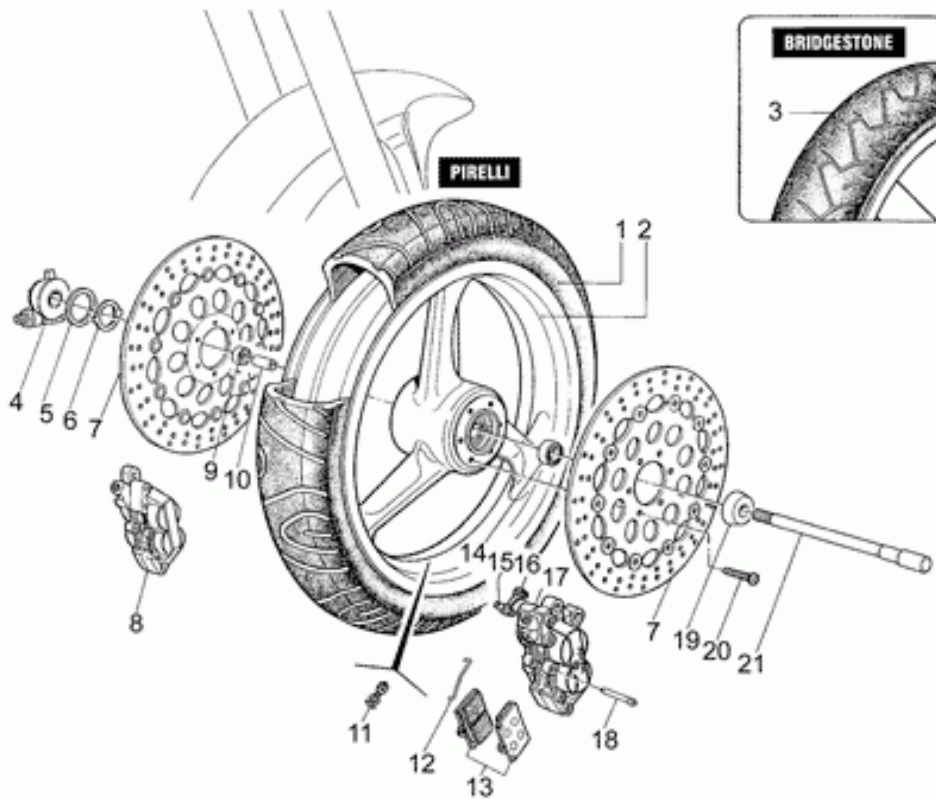


Ref.	Descrizione	Description	Year	I.M.	Country	Version	Code	Qty
20	Supporto pedana pilota sx	LH front footrest bracket	-	-	-	-	LV021001000 221	1
21	Pedana pass.sx	Rear footrest, LH	-	-	-	-	LV061009000 124	1
22	Protezione pedana pass.sx	LH rear footrest guard	-	-	-	-	LV061009000 115	1
23	Pinza freno post.	Rear brake caliper	-	-	-	-	LV047002000 044	1
24	Raccordo tubo olio M10X1	Oil hose union M10X1	-	-	-	-	LV030011000 016	1
25	Pedana ant.sx	LH front footrest	-	-	-	-	LV061009000 163	1
26	Asta rinvio pedale cambio	Gearbox pedal linkage rod	-	-	-	-	LV031001000 006Y	1
27	Leva cambio	Gear lever	-	-	-	-	LV043002000 034	1
28	Leva cambio	Gear lever	-	-	-	-	LV043002000 028	1
29	Vite TCEI M6X16	Hex socket screw M6X16	-	-	-	-	LV030007000 025	1
30	Pompa freno post.	Rear brake pump	-	-	-	-	LV047002000 047	1
31	Dado M6	Nut M6	-	-	-	-	LV030005V1 1123	3
32	Snodo sferico	Ball joint	-	-	-	-	LV046001V0 1026	2
33	Vite TCBEI M6X25	Screw TCBEI M6X25	-	-	-	-	LV030010000 047	1
34	Dado autobloc. M6	Self-locking nut M6	-	-	-	-	LV030015000 021	7
35	Vite TCBEI M6X30	Screw TCBEI M6X30	-	-	-	-	LV030010000 012	3
36	Rosetta 6,4X12,5X1,6	Washer 6,4X12,5X1,6	-	-	-	-	LV033001000 086	10
37	Distanziale	Spacer	-	-	-	-	LV034003000 055	1
38	Rosetta 10,5X24X1	Washer 10,5X24X1	-	-	-	-	LV033001V1 3310	2
39	Rosetta PS 10X16X0,5	Washer PS 10X16X0,5	-	-	-	-	LV033001V1 3091	4
40	Dado autobloc. M10X1,25	Self-locking nut M10X1,25	-	-	-	-	LV030005V3 3203	2

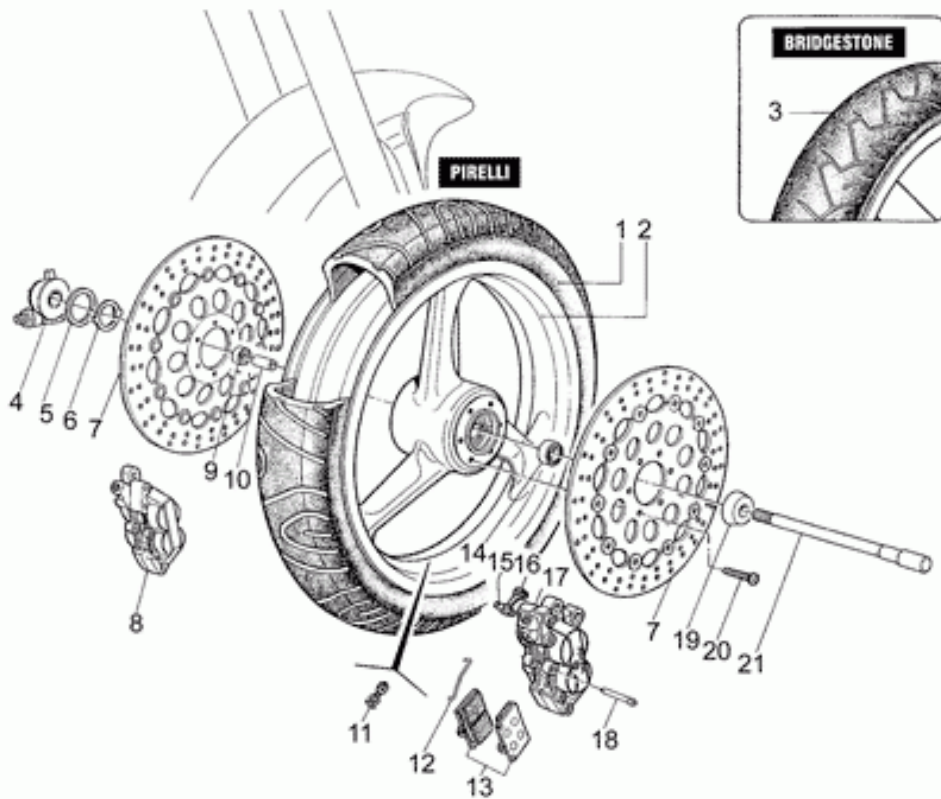




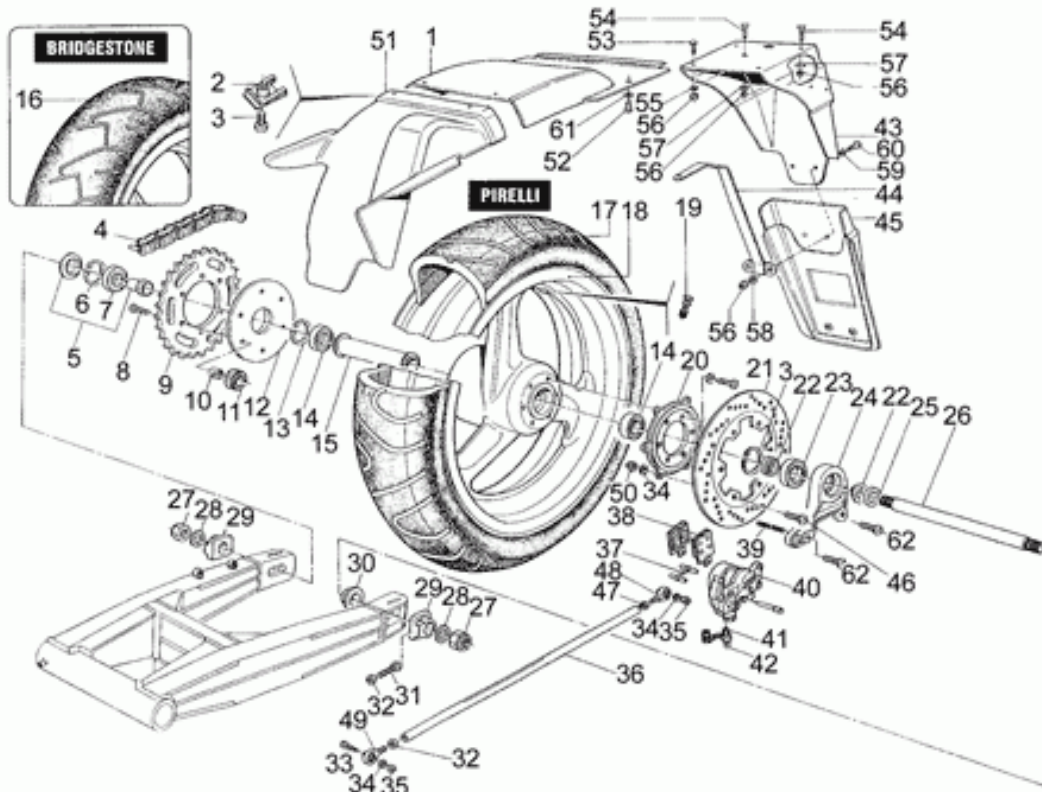
Ref.	Descrizione	Description	Year	I.M.	Country	Version	Code	Qty
41	Dado autobloc. M10	Self-locking nut M10	-	-	-	-	LV030005V3 2203	2
42	Vite TCBEI M6X20	Screw TCBEI M6X20	-	-	-	-	LV030010000 045	2
43	Vite TCBEI M8X25	Screw TCBEI M8X25	-	-	-	-	LV030010000 018	3
44	Rosetta elastica d.8	Spring washer d.8	-	-	-	-	LV033001V2 0033	4
45	Rosetta 1,5X21X2	Washer 1,5X21X2	-	-	-	-	LV033001V1 3050	2
46	Dado autobloc. M10	Self-locking nut M10	-	-	-	-	LV030005V3 0203	2
47	Dado M4	Nut M4	-	-	-	-	LV030005V1 0083	1
48	Rosetta 10,5X16X0,2	Washer 10,5X16X0,2	-	-	-	-	LV033001000 077	1
49	Vite TCBEI M6X12	Screw TCBEI M6X12	-	-	-	-	LV030010000 007	1
50	Vite TCBEI M8X35	Screw TCBEI M8X35	-	-	-	-	LV030010000 020	1
51	Fascetta	Hose clamp	-	-	-	-	LV037001V8 4600	1
52	Dado autobloc. M8	Self-locking nut M8	-	-	-	-	LV030005V3 2163	1
53	Tubo olio freno post.	Rear brake line	-	-	-	-	LV047003000 030	1



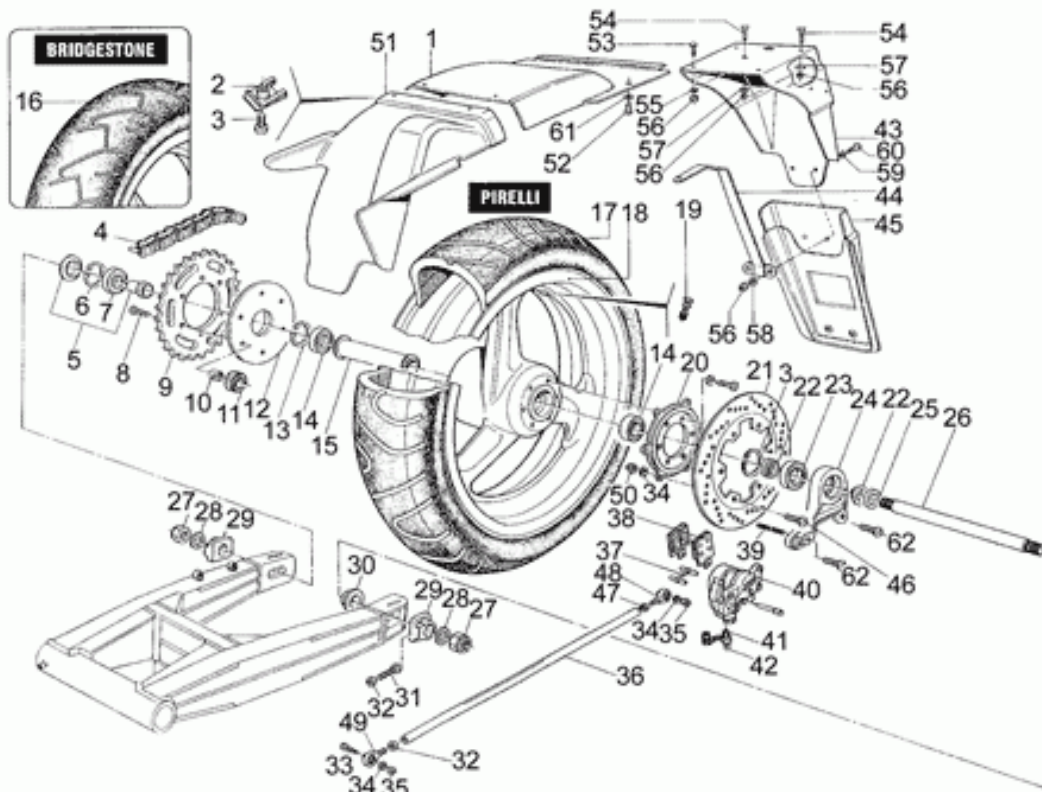
Ref.	Descrizione	Description	Year	I.M.	Country	Version	Code	Qty
1	Pneumatico ant. 120/60ZR17-55W	Front/rear tyre 120/60ZR17-55W	-	-	-	-	LV061006000 018	1
2	Ruota ant.arancio	Front wheel, orange	-	-	-	-	LV047005000 030N	1
	Ruota ant.argento	Front wheel, silver	-	-	-	-	LV047005000 030F	1
	Ruota ant.nero	Front wheel, black	-	-	-	-	LV047005000 030	1
3	Pneumatico ant. 120/60ZR1755W	Front/rear tyre 120/60ZR1755W	-	-	-	-	LV061006000 020	1
4	Rinvio tachimetro	Speedometer gear	-	-	-	-	LV049001000 006Y	1
5	Parapolvere 40X50X4	Dust cover 40X50X4	-	-	-	-	LV055002000 021	1
6	Trascinatore	Drive key	-	-	-	-	LV049001000 007	1
7	Disco freno ant.	Front brake disc	-	-	-	-	LV047002000 048	2
	Disco freno ant.	Front brake disc	-	-	-	F	LV047002000 053	2
8	Pinza freno ant.sx	LH front brake caliper	-	-	-	-	LV047002000 042	1
9	Cuscinetto a sfere 15X42X13	Ball bearing 15X42X13	-	-	-	-	LV022004000 003	1
10	Distanziale int.	Internal spacer	-	-	-	-	LV034003000 044	1
11	Valvola tubeless	Tubeless tyre valve	-	-	-	-	LV061006000 013	1
12	Molletta	Spring	-	-	-	-	LV050001000 028	2
13	Pastiglie-coppia	Pads pair	-	-	-	-	LV047002000 036	2
14	Cuscinetto a sfere 17X47X14	Ball bearing 17X47X14	-	-	-	-	LV022001V1 1162	1
15	Spurgo	Bleed valve	-	-	-	-	LV047002000 039	2
16	Spurgo	Bleed valve	-	-	-	-	LV047002V0 3004	2
17	Pinza freno ant.dx	RH front brake caliper	-	-	-	-	LV047002000 043	1
18	Kit revisione perno	Pin revision kit	-	-	-	-	LV047002000 038	2



Ref.	Descrizione	Description	Year	I.M.	Country	Version	Code	Qty
19	Distanziale ruota ant.	Front wheel spacer	-	-	-	-	LV034003000 043	1
20	Vite TCBEI M8X20	Screw TCBEI M8X20	-	-	-	-	LV030010000 017	12
21	Perno ruota ant.	Front wheel spindle	-	-	-	-	LV034002000 028	1

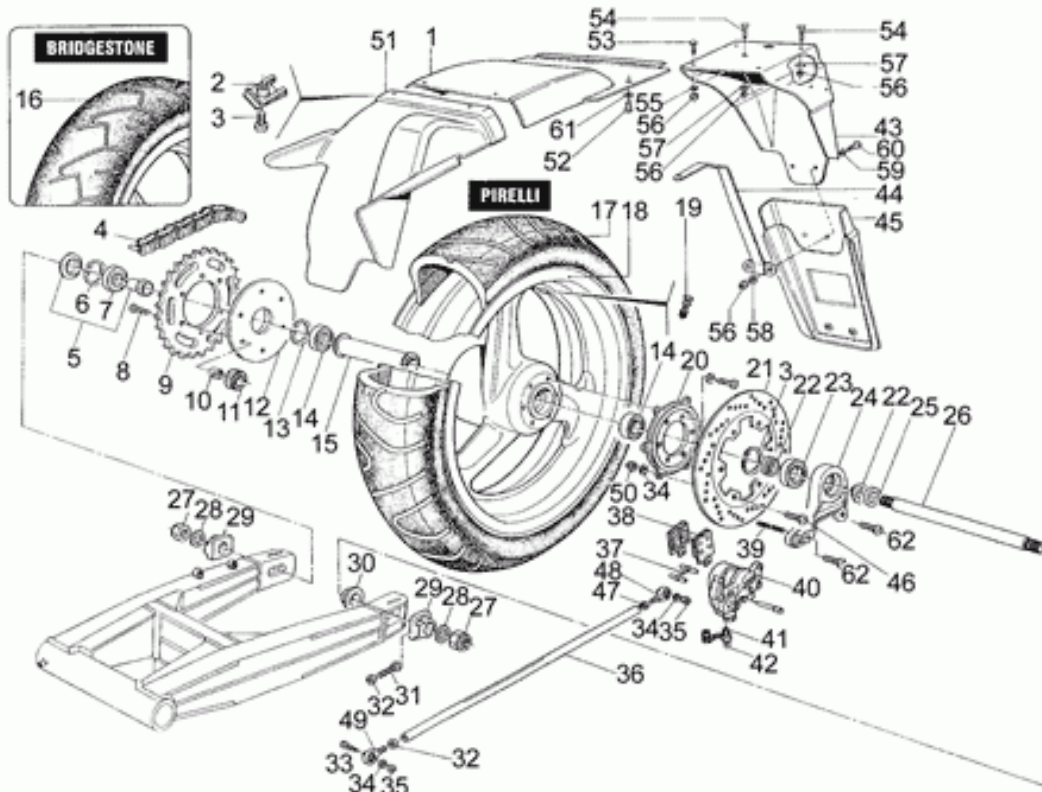


Ref.	Descrizione	Description	Year	I.M.	Country	Version	Code	Qty
1	Parafango post.	Rear mudguard	-	-	-	-	LV061009000	1
2	Dado a graffetta M5	Nut with clip M5	-	-	-	-	LV030016000	2
3	Vite TCBEI M5X12	Screw TCBEI M5X12	-	-	-	-	LV030010000	2
4	Catena	Chain	-	-	-	-	LV041003000	1
5	Bussola	Bush	-	-	-	-	LV034003000	1
6	Anello Seeger 52mm DIN472	Circlip 52mm DIN472	-	-	-	-	LV050003V1	1
7	Cuscinetto 25X52X18	Bearing 25X52X18	-	-	-	-	LV022001000	1
8	Vite TCBEI M10X35	Screw TCBEI M10X35	-	-	-	-	LV030010000	6
9	Corona Z=42	Chain ring Z=42	-	-	-	-	LV041002000	1
	Corona Z=43	Chain ring Z=43	-	-	-	-	LV041002000	1
10	Dado perno	Spindle nut	-	-	-	-	LV030016000	6
11	Gommino parastrappi	Spring drive rubber	-	-	-	-	LV050004000	6
12	Portacorona arancio	Crown holder, orange	-	-	-	-	LV047005000	1
	Portacorona argento	Crown holder, silver	-	-	-	-	LV047005000	1
	Portacorona nero	Crown holder, black	-	-	-	-	LV047005000	1
13	Anello Seeger 47mm DIN 472	Circlip 47mm DIN 472	-	-	-	-	LV050003V1	2
14	Cuscinetto a sfere 20X47X14	Ball bearing 20X47X14	-	-	-	-	LV022001V0	2
15	Distanziale int.ruota post.	Rear wheel ins.spacer	-	-	-	-	LV034003000	1
16	Pneumatico post. 160/60ZR1769W	Rear tyre 160/60ZR1769W	-	-	-	-	LV061006000	1
17	Pneumatico post. 160/60ZR1769W	Rear tyre 160/60ZR1769W	-	-	-	-	LV061006000	1
18	Ruota post.arancio	Rear wheel, orange	-	-	-	-	LV047005000	1



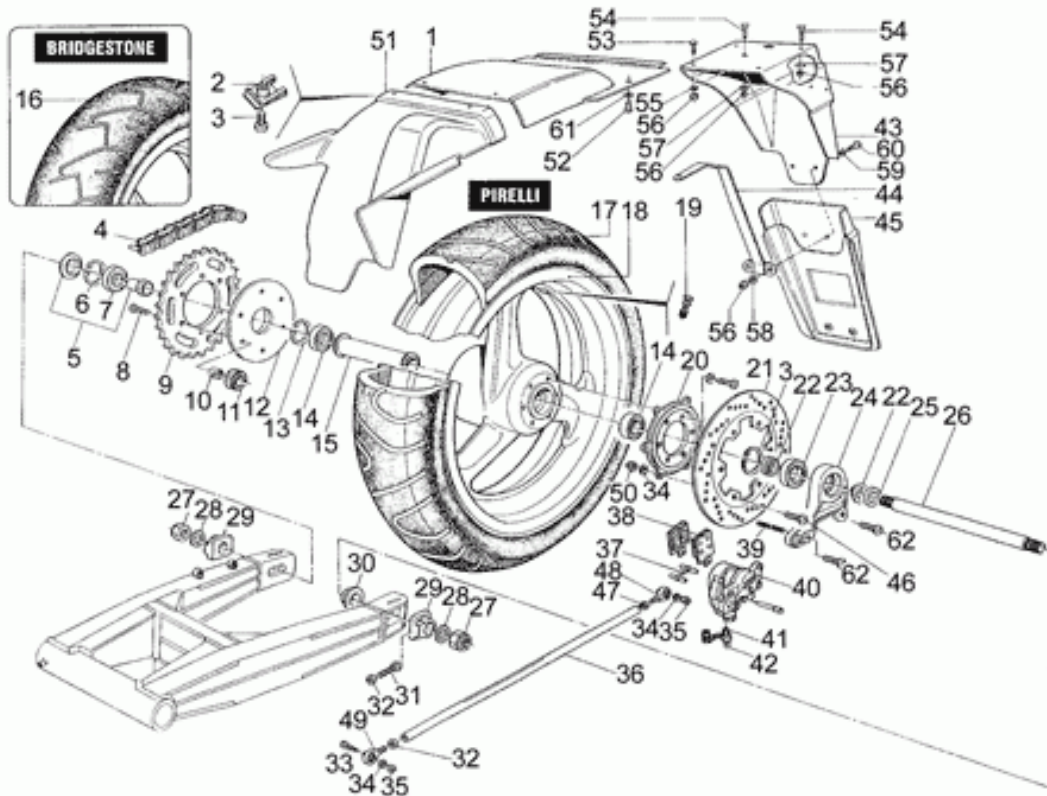
Ref.	Descrizione	Description	Year	I.M.	Country	Version	Code	Qty
18	Ruota post. argento	Rear wheel, silver	-	-	-	-	LV047005000 037F	1
	Ruota post. nero	Rear wheel, black	-	-	-	-	LV047005000 037	1
19	Valvola tubeless	Tubeless tyre valve	-	-	-	-	LV061006000 013	1
20	Mozzo portadisco	Plate holder hub	-	-	-	-	LV037002000 005	1
21	Disco freno post.	Rear brake disc	-	-	-	-	LV047002000 049	1
22	Bussola	Bush	-	-	-	-	LV021003000 020	2
23	Cuscinetto a sfere 25X47X12	Ball bearing 25X47X12	-	-	-	-	LV022001000 006	1
24	Staffa pinza freno post.	Rear brake caliper bracket	-	-	-	-	LV019003000 032	1
25	Distanziale int.	Internal spacer	-	-	-	-	LV034003000 048	1
26	Perno ruota post.	Rear wheel spindle	-	-	-	-	LV034002000 025	1
27	Dado autobloc. M18X1,5	Self-locking nut M18X1,5	-	-	-	-	LV030015000 018	2
28	Rosetta SS 18X25X1,5	Washer SS 18X25X1,5	-	-	-	-	LV033001000 037	4
29	Tendicatena	Chain tensioner	-	-	-	-	LV031003000 009F	2
30	Distanziale est.	Outside spacer	-	-	-	-	LV034003000 047	1
31	Vite TE M8X55	Hex screw M8X55	-	-	-	-	LV030002V3 3193	2
32	Dado M8	Nut M8	-	-	-	-	LV030005V1 0163	3
33	Vite TE M8X40	Hex screw M8X40	-	-	-	-	LV030002V1 3163	1
34	Rosetta 8,4X17X1,6	Washer 8,4X17X1,6	-	-	-	-	LV033001V1 2030	8
35	Dado autobloc. M8	Self-locking nut M8	-	-	-	-	LV030005V3 2163	2
36	Tirante	Tie rod	-	-	-	-	LV031001000 005	1
37	Kit revisione perno	Pin revision kit	-	-	-	-	LV047002V1 9254	1



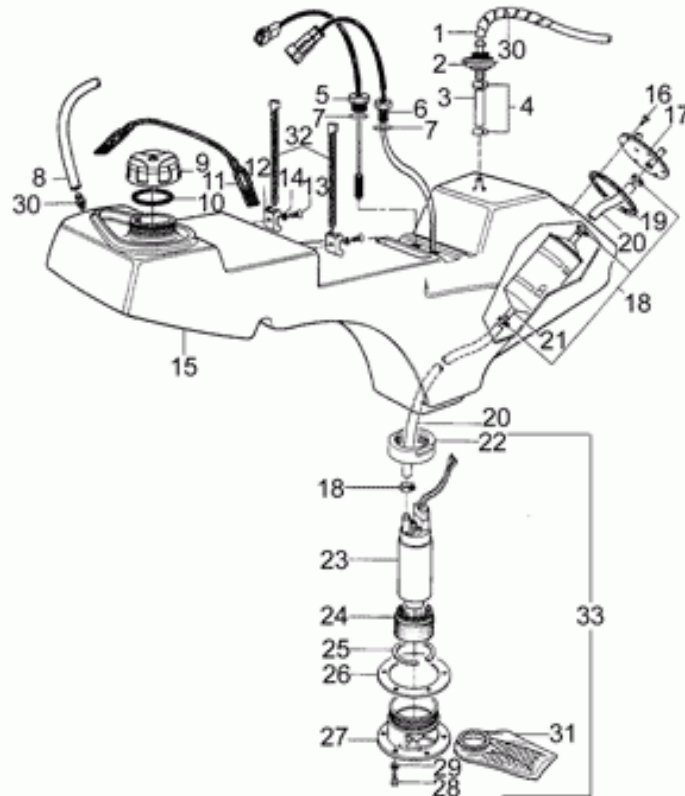


Ref.	Descrizione	Description	Year	I.M.	Country	Version	Code	Qty
38	Pastiglie-coppia	Pads pair	-	-	-	-	LV047002000 037	1
39	Prigioniero M8X40	Stud bolt M8X40	-	-	-	-	LV034002000 029	1
40	Pinza freno post.	Rear brake caliper	-	-	-	-	LV047002000 044	1
41	Spurgo	Bleed valve	-	-	-	-	LV047002V0 3004	1
42	Spurgo	Bleed valve	-	-	-	-	LV047002V1 9244	1
43	Portatarga	Number plate holder	-	-	-	-	LV061009000 065	1
44	Supporto portatarga	Number plate holder support	-	-	-	-	LV021001000 184	1
45	Portatarga	Number plate holder	-	-	CB	-	LV061009000 098	1
	Portatarga	Number plate holder	-	-	D	-	LV061009000 095	1
46	Vite TCBEI M8X20	Screw TCBEI M8X20	-	-	-	-	LV030010000 017	6
47	Dado sx M8	LH nut M8	-	-	-	-	LV030005V1 1198	1
48	Snodo RML 8	Fork RML 8	-	-	-	-	LV046001000 007	1
49	Snodo RML 8	Fork RML 8	-	-	-	-	LV046001000 006	1
50	Dado autobloc. M8	Self-locking nut M8	-	-	-	-	LV030015000 008	6
51	Parafango post.parte ant.	Rear mudguard-front	-	-	-	-	LV061009000 077	1
52	Vite autof. 4,2X13	Self-tap screw 4,2X13	-	-	-	-	LV030004V9 0739	2
53	Vite TE M6X16	Hex screw M6X16	-	-	-	-	LV030002V3 2063	2
54	Vite TSPEI M6X14	Screw M6X14	-	-	-	-	LV030003V8 2149	3
55	Rosetta 7,5X21X1,5	Washer 7,5X21X1,5	-	-	-	-	LV033001V1 1230	2
56	Dado autobloc. M6	Self-locking nut M6	-	-	-	-	LV030015000 021	7
57	Rosetta 6,5X14X1,5	Washer 6,5X14X1,5	-	-	-	-	LV033001V1 1020	3

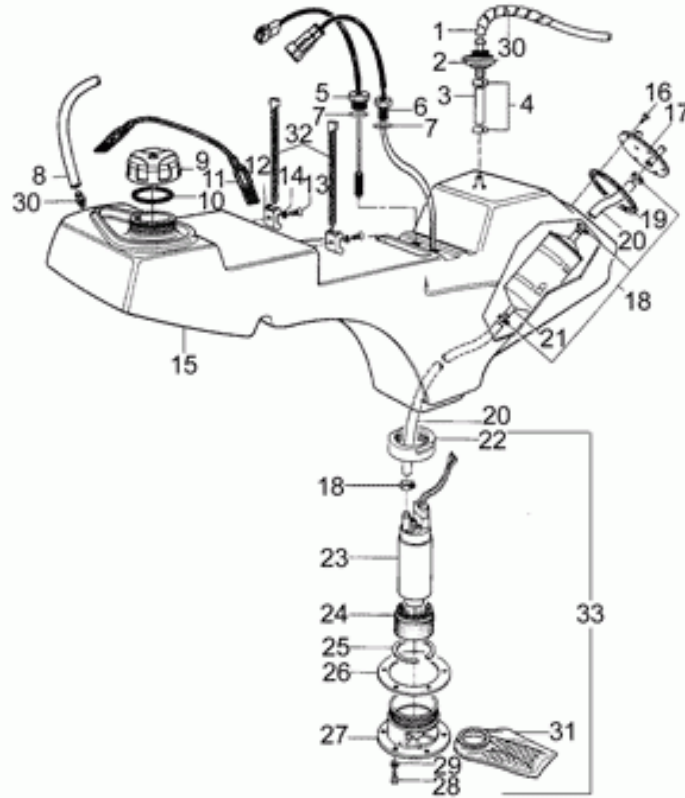




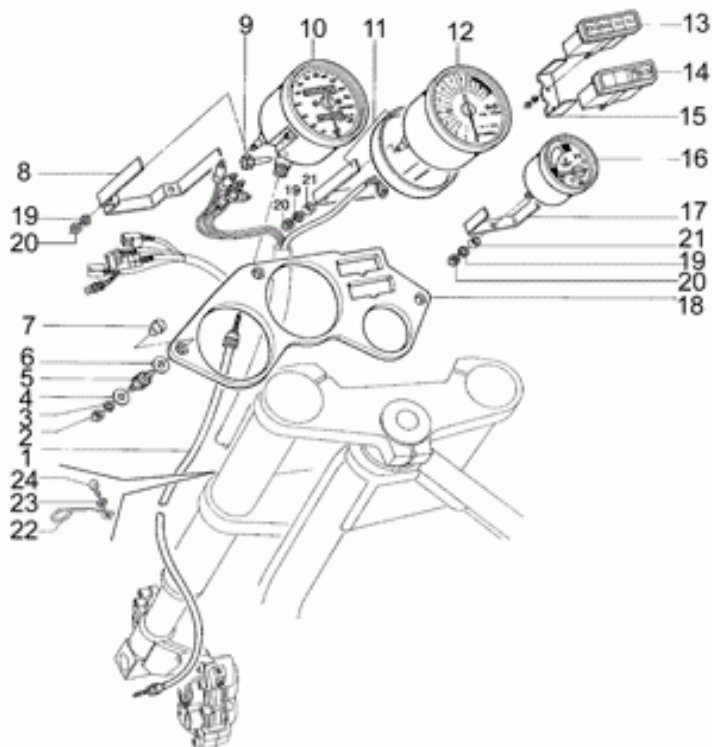
Ref.	Descrizione	Description	Year	I.M.	Country	Version	Code	Qty
58	Rosetta 6,4X12,5X1,6	Washer 6,4X12,5X1,6	-	-	-	-	LV033001000 086	2
59	Rosetta in nylon 6,25X12X1,5	Nylon washer 6,25X12X1,5	-	-	-	-	LV033001V1 1199	2
60	Vite TCBEI M6X16	Screw TCBEI M6X16	-	-	-	-	LV030010000 009	2
61	Rosetta 4,3X14X0,8	Washer 4,3X14X0,8	-	-	-	-	LV033001000 054	2
62	Vite TCEI M8X22	Hex socket screw M8X22	-	-	-	-	LV030003V6 3093	2



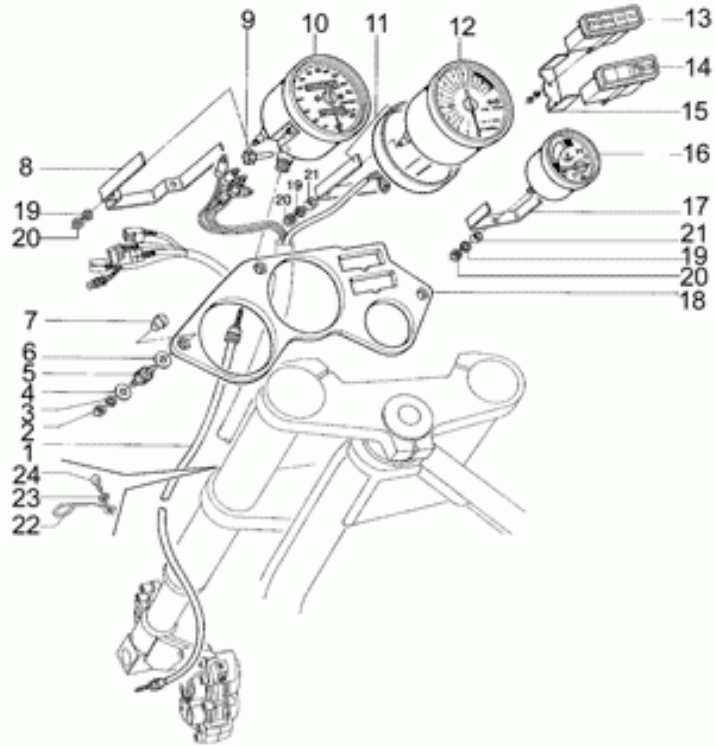
Ref.	Descrizione	Description	Year	I.M.	Country	Version	Code	Qty
1	Tubo in plastica 6X9	Plastic pipe 6X9	-	-	-	-	LV002006V0 0841	1
2	Valvola non ritorno benz.	Fuel anti-return valve	-	-	-	-	LV052005000 002	1
3	Tubo benz. 12X7	Fuel pipe 12X7	-	-	-	-	LV002006V0 1341	1
4	Fascetta 11 mm	Hose clamp 11 mm	-	-	-	-	LV037001000 013	2
5	Sonda livello benz.	Fuel level sensor	-	-	-	-	LV071003000 013	1
6	Cablaggio pompa benz.	Fuel pump wiring	-	-	-	-	LV071001000 047	1
7	O-ring 2056 Viton	O-ring 2056 Viton	-	-	-	-	LV055001000 095	2
8	Tubo in plastica 5X7	Plastic pipe 5X7	-	-	-	-	LV002006V0 0944	1
9	Tappo serbatoio benz.	Fuel filler cap	-	-	-	-	LV055004000 027	1
10	Guarnizione tappo	Plug gasket	-	-	-	-	LV055001000 089	1
11	Elastico fissaggio	Fixing snap	-	-	-	-	LV050004V0 3011	1
12	Supporto	Support	-	-	-	-	LV021001000 267	2
13	Vite TC M4X8	Special cap screw M4X8	-	-	-	-	LV030005000 006	2
14	Rosetta ondulata d.4,5	Washer d.4,5	-	-	-	-	LV033001V7 0009	2
15	Serbatoio benz.	Fuel tank	-	-	-	-	LV061001000 048	1
16	Vite TC M4X12	Special cap screw M4X12	-	-	-	-	LV030003V1 1043	6
17	Raccordo	Union	-	-	-	-	LV061001000 044	1
18	Fascetta 13 mm	Hose clamp 13 mm	-	-	-	-	LV037001000 014	4
19	Guarnizione raccordo	Union gasket	-	-	-	-	LV055001000 083	1
20	Tubo benz. 7,5X14,5	Fuel pipe 7,5X14,5	-	-	-	-	LV002006000 040	1
21	Filtro benz.	Fuel filter	-	-	-	-	LV077003000 006	1



Ref.	Descrizione	Description	Year	I.M.	Country	Version	Code	Qty
22	Ghiera	Ring nut	-	-	-	-	LV061001000 019	1
23	Pompa benz.	Fuel pump	-	-	-	-	LV077003000 005	1
24	Supporto pompa benz.	Fuel pump support	-	-	-	-	LV055004000 029	1
25	Filtro benz.	Fuel filter	-	-	-	-	LV062001000 030	1
26	Guarnizione	Gasket	-	-	-	-	LV055001000 084	1
27	Supporto pompa benz.	Fuel pump support	-	-	-	-	LV061001000 045	1
28	Rosetta 4,3X9X0,8	Washer 4,3X9X0,8	-	-	-	-	LV033001V1 0420	6
29	Vite TCEI M4X14	Hex socket screw M4X14	-	-	-	-	LV030007000 023	6
30	Raccordo	Union	-	-	-	-	LV037002000 007	1
31	Supporto pompa benz.	Fuel pump support	-	-	-	-	LV061001000 049	1
32	Filtro benz.	Fuel filter	-	-	-	-	LV062005000 071	1
33	Pompa benz.cpl. GSS284	Fuel pump cpl. GSS284	-	-	-	-	LV019001000 080	1

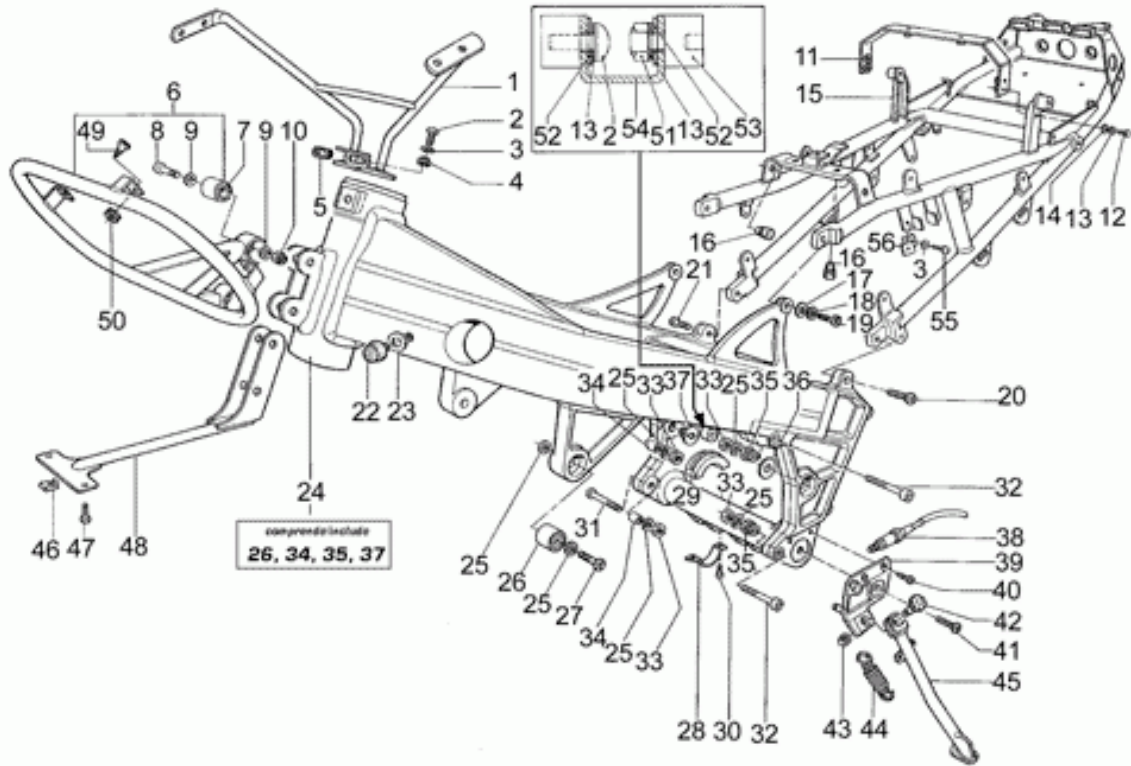


Ref.	Descrizione	Description	Year	I.M.	Country	Version	Code	Qty
1	Trasmissione tachimetro	Speedometer transmission	-	-	-	-	LV036003000 008	1
2	Dado M4	Nut M4	-	-	-	-	LV030005V1 0083	3
3	Rosetta dentellata d.4	Notched washer d.4	-	-	-	-	LV033001V3 1004	3
4	Rosetta 4,3X9X0,8	Washer 4,3X9X0,8	-	-	-	-	LV033001V1 0420	3
5	Silent block 10X10	Silent-block 10X10	-	-	-	-	LV050003000 023	3
6	Rosetta 5X14X2	Washer 5X14X2	-	-	-	-	LV033001000 041	3
7	Vite	Screw	-	-	-	-	LV030011000 019	3
8	Supporto tachimetro	Tachometer supp.	-	-	-	-	LV021001000 171	1
9	Ghiera azzeratore	Zero setting device ring nut	-	-	-	-	LV069001000 019	1
10	Tachimetro	Speedometer	-	-	-	-	LV069001000 018	1
11	Supporto contagiri	Tachometer support	-	-	-	-	LV019001000 028	1
12	Contagiri elettronico	Electronic revolution counter	-	-	-	-	LV069001000 016	1
13	Portaspie	Pilot lamps holder	-	-	-	-	LV071003000 001	1
14	Portaspie	Pilot lamps holder	-	-	-	-	LV071003000 002	1
15	Supporto spie	Indicator support	-	-	-	-	LV021001000 156	1
16	Termometro acqua	Thermometer	-	-	-	-	LV069001000 021	1
17	Supporto termometro	Thermometer support	-	-	-	-	LV021001000 155	1
18	Piastra supporto	Support plate	-	-	-	-	LV021001000 118	1
19	Rosetta dentellata d.5	Notched washer d.5	-	-	-	-	LV033001V3 1005	5
20	Dado M5	Nut M5	-	-	-	-	LV030005V1 1103	5
21	Distanziale	Spacer	-	-	-	-	LV034003000 066	3

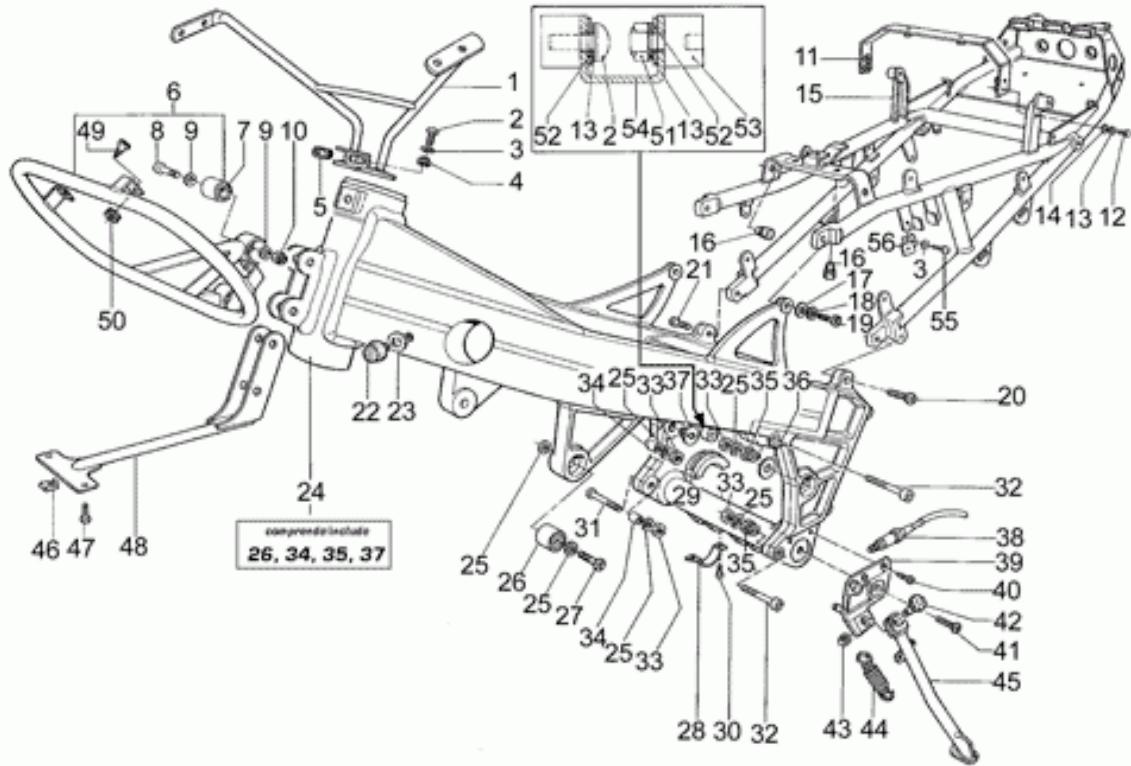


Ref.	Descrizione	Description	Year	I.M.	Country	Version	Code	Qty
22	Guidacavo	Cable-guide	-	-	-	-	LV033005000 003	1
23	Rosetta 5,3X15X1,5	Washer 5,3X15X1,5	-	-	-	-	LV033001000 052	1
24	Vite TCEI M5X12	Hex socket screw M5X12	-	-	-	-	LV030007000 017	1

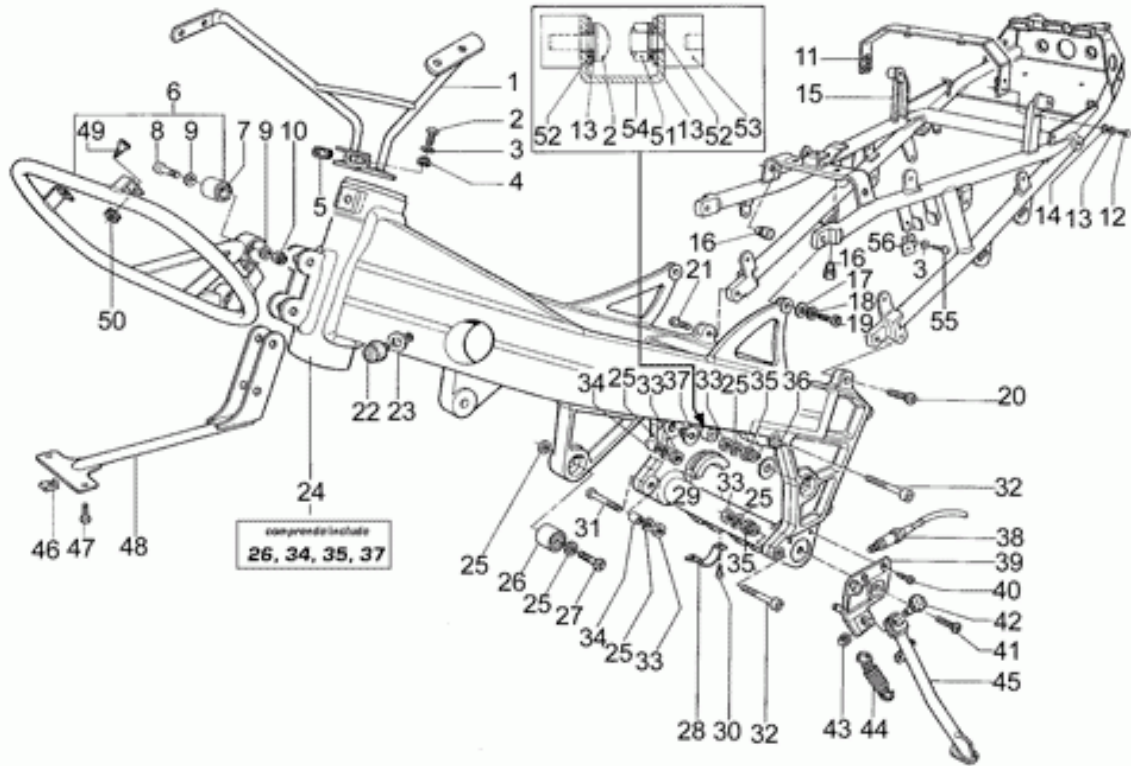




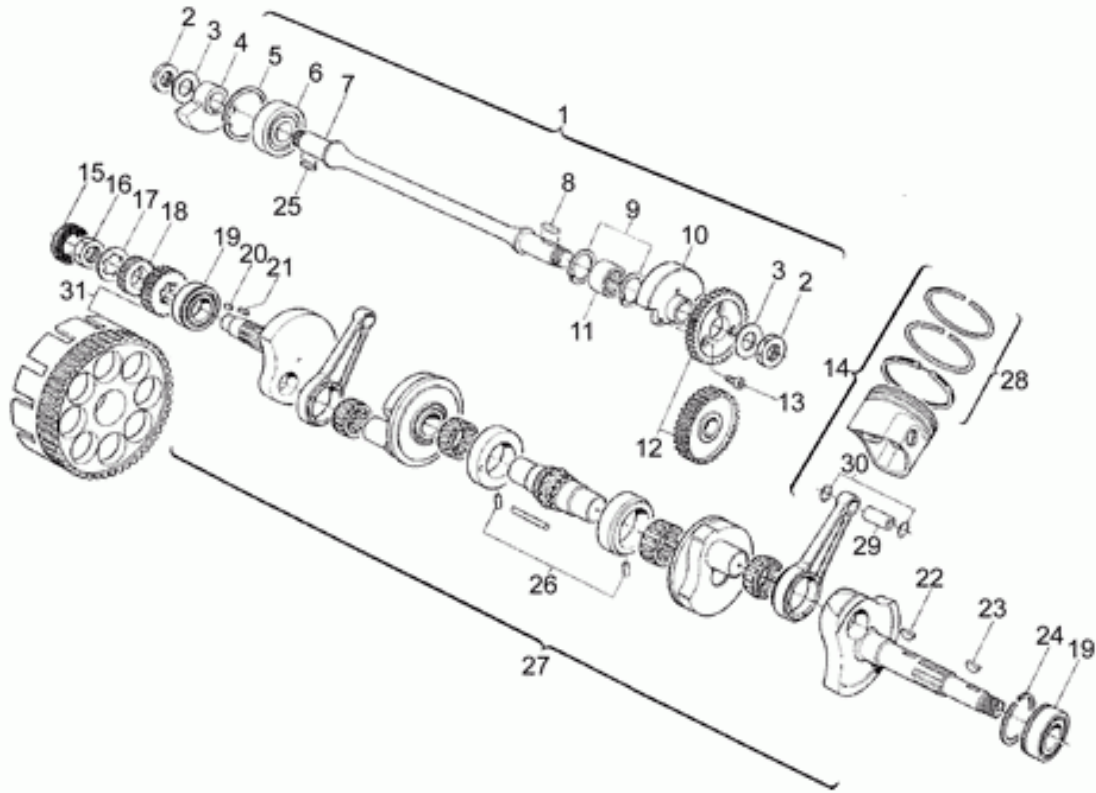
Ref.	Descrizione	Description	Year	I.M.	Country	Version	Code	Qty
1	Supporto specchio	Mirror support	-	-	-	-	LV021001000 230	1
2	Vite TCBEI M6X20	Screw TCBEI M6X20	-	-	-	-	LV030010000 045	4
3	Rosetta elastica 6 mm	Spring washer 6 mm	-	-	-	-	LV033001000 013	3
4	Rosetta 6,4X12,5X1,6	Washer 6,4X12,5X1,6	-	-	-	-	LV033001000 086	2
5	Passacavo	Fairlead	-	-	-	-	LV058002V0 0197	1
6	Telaietto portastrum.	Instrum.holder frame	-	-	-	-	LV019003000 117	1
7	Silent block 10X22X23	Silent-block 10X22X23	-	-	-	-	LV050002V1 0959	2
8	Vite TE M6X50	Hex screw M6X50	-	-	-	-	LV030001000 014	2
9	Rosetta 6,5X18X1,5	Washer 6,5X18X1,5	-	-	-	-	LV033001000 087	4
10	Dado autobloc. M6	Self-locking nut M6	-	-	-	-	LV030005V3 0123	2
11	Supporto codone	Rear fairing support	-	-	-	-	LV021001000 259	1
12	Vite TE M6X14	Hex screw M6X14	-	-	-	-	LV030002V3 2053	2
13	Rosetta Grower d.6	Washer d.6	-	-	-	-	LV033001000 075	6
14	Rosetta 6,4X12,5X1,6	Washer 6,4X12,5X1,6	-	-	-	-	LV033001000 086	2
15	Telaio post.	Rear frame	-	-	-	-	LV060001000 273	1
16	Gommino	Rubber spacer	-	-	-	-	LV050003000 021	4
17	Rosetta 8,4X17X1,6	Washer 8,4X17X1,6	-	-	-	-	LV033001V1 2030	2
18	Rosetta elastica d.8	Spring washer d.8	-	-	-	-	LV033001V2 0033	2
19	Vite TCBEI M8X25	Screw TCBEI M8X25	-	-	-	-	LV030010000 018	2
20	Vite TCEI M8X20	Hex socket screw M8X20	-	-	-	-	LV030003V6 3083	1
21	Vite TCEI M8X25	Hex socket screw M8X25	-	-	-	-	LV030003V6 3103	1



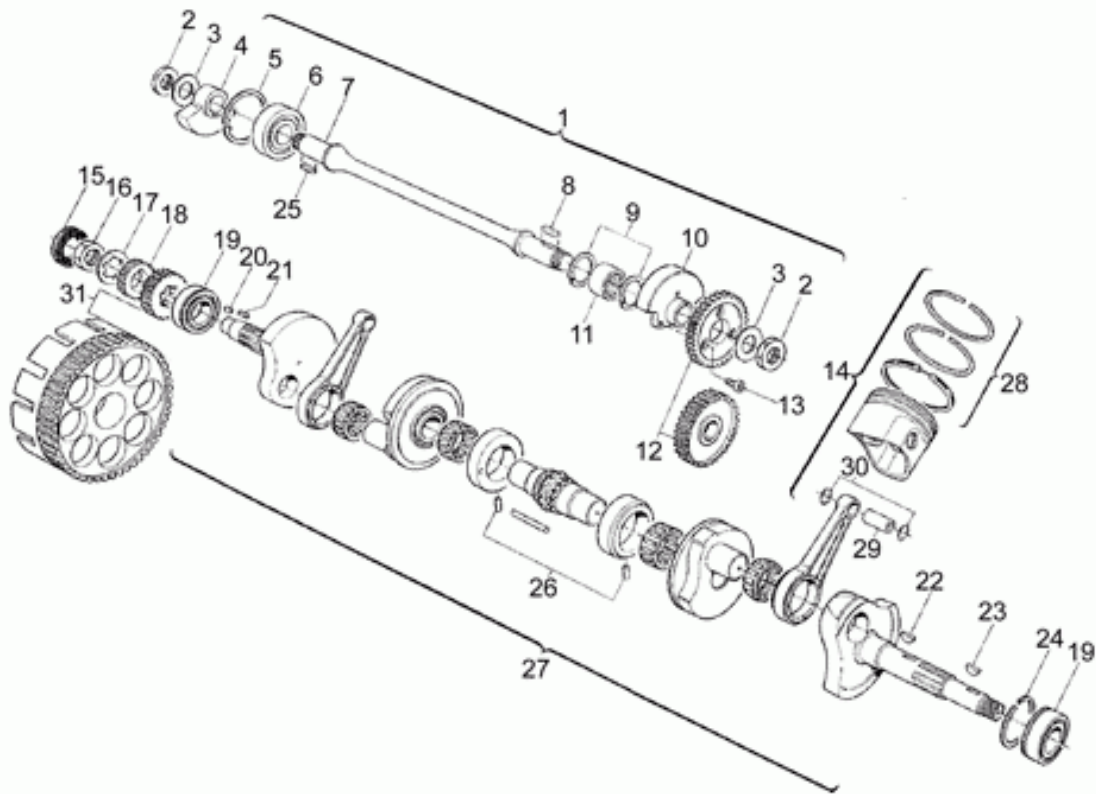
Ref.	Descrizione	Description	Year	I.M.	Country	Version	Code	Qty
22	Gommino	Rubber spacer	-	-	-	-	LV050003000 032	2
23	Rosetta	Washer	-	-	-	-	LV033001000 061	2
24	Telaio	Frame	-	-	-	-	LV060001000 261W	1
25	Rosetta 1,5X21X2	Washer 1,5X21X2	-	-	-	-	LV033001V1 3050	8
26	Silent block 10X28X27	Silent-block 10X28X27	-	-	-	-	LV050003000 024	2
27	Vite TCBEI M10X45	Screw TCBEI M10X45	-	-	-	-	LV030010000 026	2
28	Fascetta	Hose clamp	-	-	-	-	LV037001000 008	1
29	Pattino guidacatena inf.	Lower chain guide plate	-	-	-	-	LV031003000 008	1
30	Vite autof. TC 6,3X16	Self-tap screw TC 6,3X16	-	-	-	-	LV030009000 001	2
31	Vite TCEI M10X100	Hex socket screw M10X100	-	-	-	-	LV030007000 087	2
32	Vite TCEI M10X90	Hex socket screw M10X90	-	-	-	-	LV030007000 085	2
33	Dado autobloc. M10	Self-locking nut M10	-	-	-	-	LV030005V3 0203	4
34	Distanziale dx	RH spacer	-	-	-	-	LV034003000 088	2
35	Bussola	Bush	-	-	-	-	LV021003000 054	2
36	Rosetta 16X42X4	Washer 16X42X4	-	-	-	-	LV033001000 036	1
37	Bussola	Bush	-	-	-	-	LV021003000 026	1
38	Interruttore cavalletto	Lateral stand switch	-	-	-	-	LV019001000 087	1
39	Supporto cavalletto	Stand support	-	-	-	-	LV021001000 151	1
40	Vite TCBEI M8X20	Screw TCBEI M8X20	-	-	-	-	LV030010000 017	2
41	Vite TCBEI M10X35	Screw TCBEI M10X35	-	-	-	-	LV030010000 024	1
42	Perno cavalletto	Stand pin	-	-	-	-	LV034002000 024	1



Ref.	Descrizione	Description	Year	I.M.	Country	Version	Code	Qty
43	Dado M10X1,25	Nut M10X1,25	-	-	-	-	LV030005V1 5203	1
44	Molla ritorno cavalletto	Lateral stand spring	-	-	-	-	LV050001000 037	1
45	Cavalletto laterale	Lateral stand	-	-	-	-	LV060001000 113	1
46	Dado a graffetta M5	Nut with clip M5	-	-	-	-	LV030016000 002	2
47	Vite TCBEI M5X16	Screw TCBEI M5X16	-	-	-	-	LV030010000 032	2
48	Supporto carena	Front fairing support	-	-	-	-	LV021001000 294	1
49	Pomello	Knob	-	-	-	-	LV030011000 033	1
50	Gommino	Rubber spacer	-	-	-	-	LV058002V0 0112	1
51	Dado cieco M6	Cap nut M6	-	-	-	-	LV030005V4 2123	2
52	Rosetta 6,5X18X1,5	Washer 6,5X18X1,5	-	-	-	-	LV033001000 087	4
53	Silent block M6X12-5	Silent-block M6X12-5	-	-	-	-	LV050003000 039	2
54	Supporto carena	Front fairing support	-	-	-	-	LV021001000 281	2
55	Vite TBEI M6X10	Hex socket screw M6X10	-	-	-	-	LV030010000 040	1
56	Staffa supporto	Support bracket	-	-	-	-	LV021001000 317	1

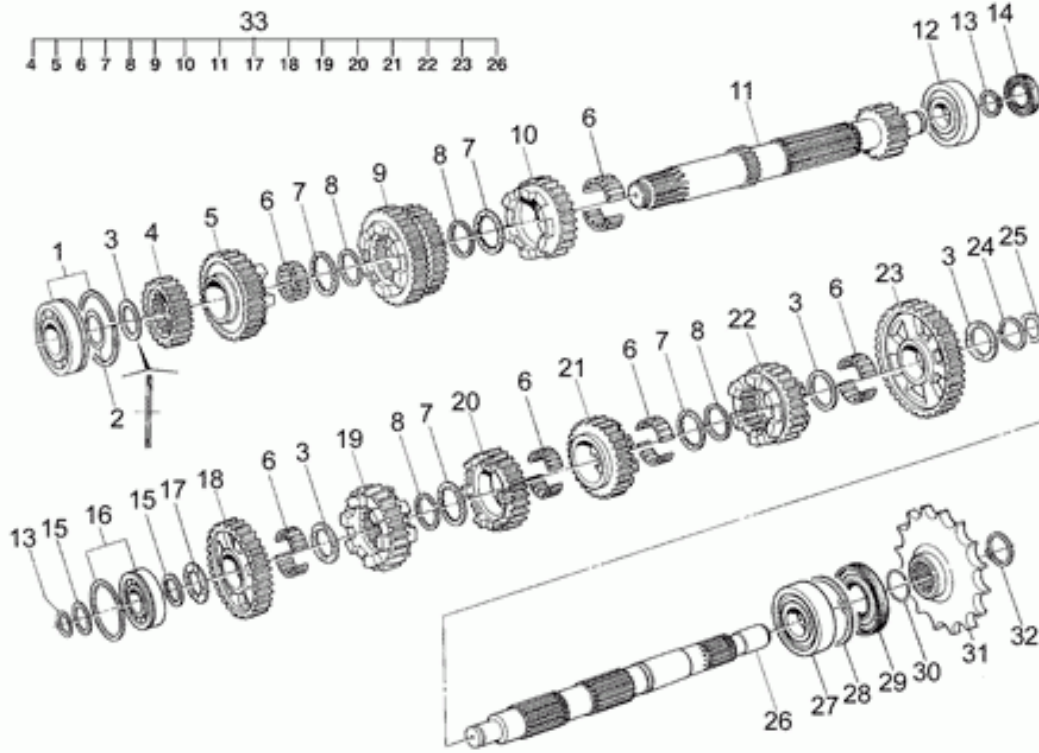


Ref.	Descrizione	Description	Year	I.M.	Country	Version	Code	Qty
1	Contralbero	Balance shaft	-	-	-	-	LV019002000 065W	1
2	Dado M20X1,5	Nut M20X1,5	-	-	-	-	LV030016000 034	2
3	Rosetta	Washer	-	-	-	-	LV033001000 071	2
4	Contrappeso lato frizione	Clutch side counterweight	-	-	-	-	LV040003000 017	1
5	Anello Seeger 52mm DIN472	Circlip 52mm DIN472	-	-	-	-	LV050003V1 0299	1
6	Cuscinetto a rulli 20X52X15	Roller bearing 20X52X15	-	-	-	-	LV022002V0 9211	1
7	Albero cpl.	Shaft assy	-	-	-	-	LV040001000 045	1
8	Linguetta 4X4X14	Tab 4X4X14	-	-	-	-	LV033003000 003	1
9	Anello Seeger SB 32	Circlip SB 32	-	-	-	-	LV050002000 020	2
10	Contrappeso	Counterweight	-	-	-	-	LV040003000 016	1
11	Gabbia a rulli NKI 20/20	Roller cage NKI 20/20	-	-	-	-	LV022008V0 3203	1
12	Ingran.contralbero cpl.	Balance shaft gear cpl.	-	-	-	-	LV019002000 080	1
13	Vite TCEI M6X10	Hex socket screw M6X10	-	-	-	-	LV030007000 013	3
14	Pistone cpl. 82,970-0,005mm	Piston assy 82,970-0,005mm	-	-	-	A	LV043003000 016	2
	Pistone cpl. 82,980-0,005mm	Piston assy 82,980-0,005mm	-	-	-	B	LV043003000 017	2
15	Guarnizione 15X28X7	Gasket 15X28X7	-	-	-	M1	LV055001000 073	1
	Paraolio 17X28X7	Oil seal 17X28X7	-	-	-	M2	LV055001000 100	1
16	Dado M18X1,5X8	Nut M18X1,5X8	-	-	-	M1	LV030016000 035	1
	Dado M20X1,5	Nut M20X1,5	-	-	-	M2	LV030016000 034	1
17	Rosetta	Washer	-	-	-	M1	LV033001000 074	1
	Rosetta	Washer	-	-	-	M2	LV033001000 071	1

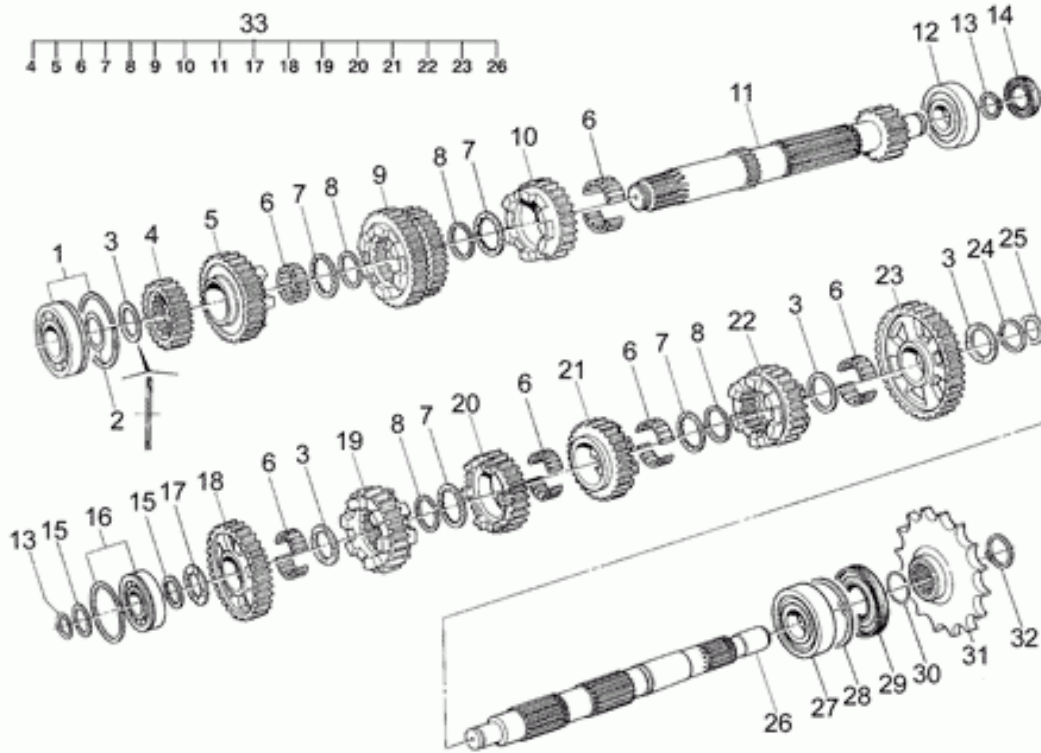


Ref.	Descrizione	Description	Year	I.M.	Country	Version	Code	Qty
18	Ingranaggio pompa olio	Oil pump gear	-	-	-	-	LV041001000 076	1
19	Cuscinetto a sfere 30X72X19	Ball bearing 30X72X19	-	-	-	-	LV022001V0 1301	2
20	Chiavetta 3X3,7	Transmission key 3X3,7	-	-	-	-	LV033004V1 0606	1
	Chiavetta 3X3X8	Transmission key 3X3X8	-	-	-	-	LV033004V2 0308	1
21	Chiavetta 5X5X10	Transmission key 5X5X10	-	-	-	-	LV033004V3 0510	1
22	Chiavetta 4X6,5	Transmission key 4X6,5	-	-	-	-	LV033004V1 0813	1
23	Chiavetta 4X5X12,65	Transmission key 4X5X12,65	-	-	-	-	LV033004V1 0810	1
24	Anello di fermo	Stop ring	-	-	-	-	LV022008000 030	1
25	Chiavetta 4X4X12	Transmission key 4X4X12	-	-	-	-	LV033003000 004	1
26	Rullo 6X10	Roller 6X10	-	-	-	-	LV034001V3 1210	2
27	Albero motore	Drive shaft	-	-	-	M1	LV040001000 042	1
	Albero motore	Drive shaft	-	-	-	M2-N	LV040001000 054	1
	Albero motore	Drive shaft	-	-	-	M2-R	LV040001000 055	1
28	Serie segmenti	Piston rings set	-	-	-	-	LV055002000 015	2
29	Spinotto	Piston pin	-	-	-	-	LV034002000 050	2
30	Anello di fermo spinotto	Stop ring	-	-	-	-	LV050002000 023	2
31	Campana frizione cpl.	Clutch housing, complete	-	-	-	-	LV046005000 048	1

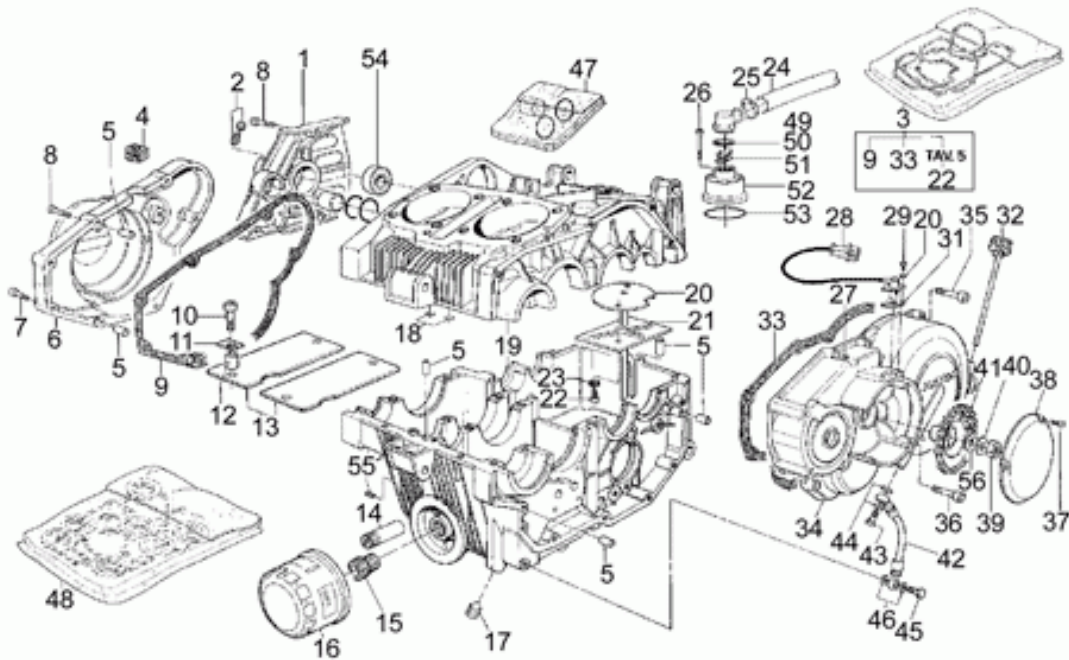




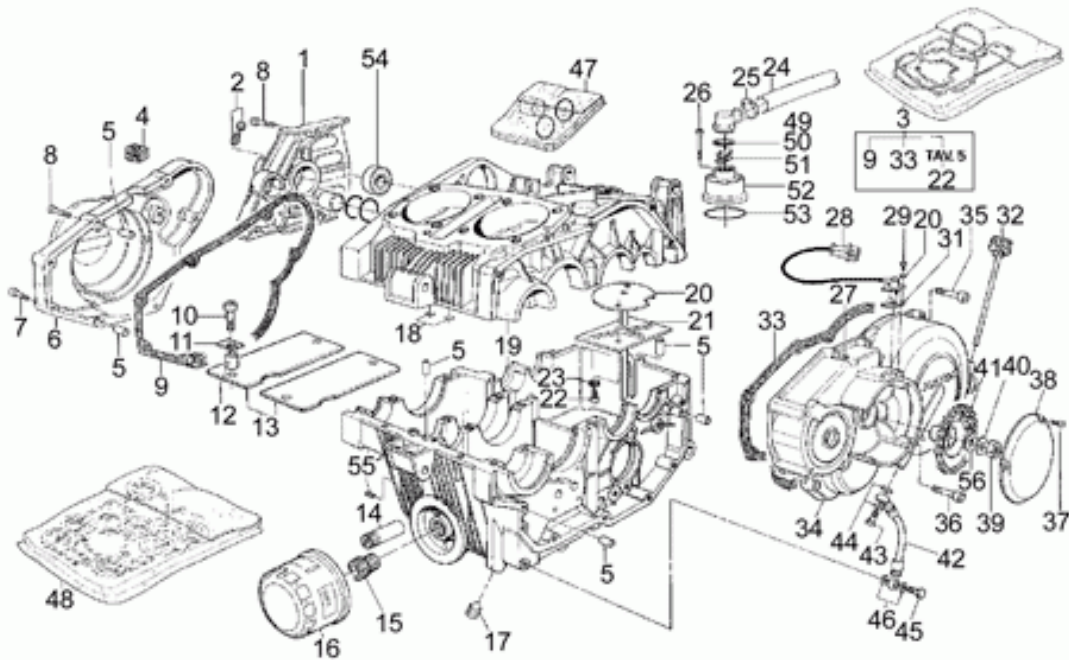
Ref.	Descrizione	Description	Year	I.M.	Country	Version	Code	Qty
1	Cuscinetto a sfere 25X62X17	Ball bearing 25X62X17	-	-	-	-	LV022001000 013	1
2	Rosetta PS 25X35X0,3	Washer PS 25X35X0,3	-	-	-	-	LV033001V1 6191	1
3	Rosetta SS 25X35X1,5	Washer SS 25X35X1,5	-	-	-	-	LV033001000 065	4
4	Ingranaggio conduttore 2A	Drive gear 2A	-	-	-	-	LV041001000 086	1
5	Ingranaggio conduttore 4A	Drive gear 4A	-	-	-	-	LV041001000 088	1
6	Gabbia a rulli 24X28X13	Roller cage 24X28X13	-	-	-	-	LV022008000 021	6
7	Rasamento	Thrust washer	-	-	-	-	LV033001000 066	4
8	Anello Seeger SW 27	Circlip SW 27	-	-	-	-	LV050002000 017	4
9	Ingranaggio conduttore 5-6A	Drive gear 5-6A	-	-	-	-	LV041001000 089	1
10	Ingranaggio conduttore 3A	Drive gear 3A	-	-	-	-	LV041001000 087	1
11	Albero frizione	Clutch shaft	-	-	-	-	LV040001000 038	1
12	Cuscinetto a rulli 17X47X14	Roller bearing 17X47X14	-	-	-	-	LV022002V0 7171	1
13	Anello Seeger 17mm DIN471	Circlip 17mm DIN471	-	-	-	-	LV050003V1 0134	2
14	Guarnizione 10X30X7	Gasket 10X30X7	-	-	-	-	LV055002V1 2030	1
15	Rosetta PS 17X24X0,5	Washer PS 17X24X0,5	-	-	-	-	LV033001V1 5091	2
16	Cuscinetto a sfere 17X47X14	Ball bearing 17X47X14	-	-	-	-	LV022001V0 1171	1
17	Rasamento	Thrust washer	-	-	-	-	LV033001000 067	1
18	Ingranaggio condotto 2A	Driven gear 2A	-	-	-	-	LV041001000 081	1
19	Ingranaggio condotto 4A	Driven gear 4A	-	-	-	-	LV041001000 083	1
20	Ingranaggio condotto 6A	Driven gear 6A	-	-	-	-	LV041001000 085	1
21	Ingranaggio condotto 5A	Driven gear 5A	-	-	-	-	LV041001000 084	1



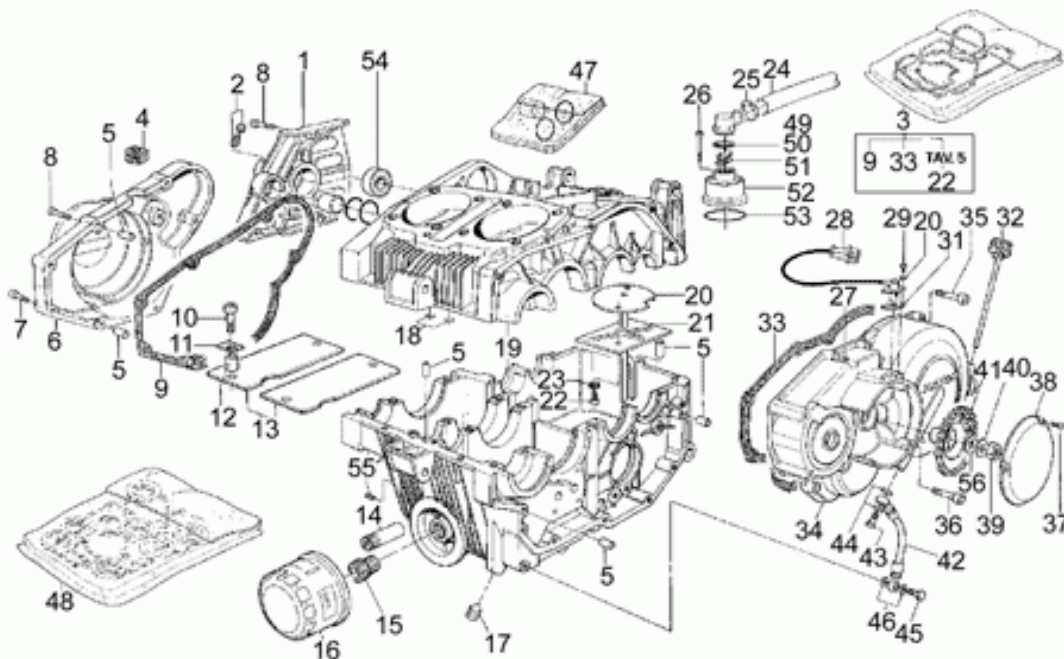
Ref.	Descrizione	Description	Year	I.M.	Country	Version	Code	Qty
22	Ingranaggio condotto 3A	Driven gear 3A	-	-	-	-	LV041001000 082	1
23	Ingranaggio condotto 1A	Driven gear 1A	-	-	-	-	LV041001000 080	1
24	Anello Seeger 25mm DIN471	Circlip 25mm DIN471	-	-	-	-	LV050003V1 0150	1
25	Rosetta PS 25X35X0,3	Washer PS 25X35X0,3	-	-	-	-	LV033001V1 6191	1
26	Albero secondario	Driven shaft	-	-	-	-	LV040001000 037	1
27	Cuscinetto a rulli 25X52X18	Roller bearing 25X52X18	-	-	-	-	LV022002V1 2251	1
28	Anello Seeger 52mm DIN472	Circlip 52mm DIN472	-	-	-	-	LV050003V1 0299	1
29	Paraolio	Oil seal	-	-	-	-	LV055002000 023	1
30	Anello Seeger RW 24	Circlip RW 24	-	-	-	-	LV050002000 018	1
31	Pignone Z16	Pinion Z16	-	-	-	-	LV041002000 018	1
32	Anello Seeger 24mm DIN471	Circlip 24mm DIN471	-	-	-	-	LV050002000 009	1
33	Cambio cpl.	Gear box assy	-	-	-	-	LV019002000 073	1



Ref.	Descrizione	Description	Year	I.M.	Country	Version	Code	Qty
1	Carter copripignone	Sprocket cover	-	-	-	-	LV025003000 036F	1
2	Spurgo	Bleed valve	-	-	-	-	LV047002V1 9119	1
3	Guarnizioni-serie	Gasket set	-	-	-	-	LV055001000 096	1
4	Gommino	Rubber spacer	-	-	-	-	LV050003000 017	1
5	Grano di riferimento	Locating dowel	-	-	-	-	LV021006V0 1177	6
6	Coperchio volano	Flywheel cover	-	-	-	-	LV025003000 041	1
7	Vite TCEI M6X35	Hex socket screw M6X35	-	-	-	-	LV030007000 033	6
8	Vite TCEI M6X40	Hex socket screw M6X40	-	-	-	-	LV030007000 012	4
9	Guarnizione coperchio	Cover gasket	-	-	-	-	LV055001000 076	1
10	Vite TE M6X16	Hex screw M6X16	-	-	-	-	LV030002V3 2063	4
11	Fascetta	Hose clamp	-	-	-	-	LV037001V8 4700	4
12	Distanziale	Spacer	-	-	-	-	LV034005V1 0227	4
13	Paratia olio	Oil bulhead	-	-	-	-	LV058003V2 0039	2
14	Valvola pressione	Pressure valve	-	-	-	-	LV052005000 020	1
15	Grano M18/16X1,5	Dowel M18/16X1,5	-	-	-	-	LV030016000 014	1
16	Filtro olio	Oil filter	-	-	-	-	LV062001000 025	1
17	Ugello 1/4 Gas	Nozzle 1/4 Gas	-	-	-	-	LV030016000 017	1
18	O-ring 108	O-ring 108	-	-	-	-	LV055001V3 0008	2
19	Carter motore	Crankcase	-	-	-	D1	LV025004000 019W	1
	Carter motore	Crankcase	-	-	-	D2	LV025004000 034	1
20	Paratia	Protection	-	-	-	-	LV055004000 013	1

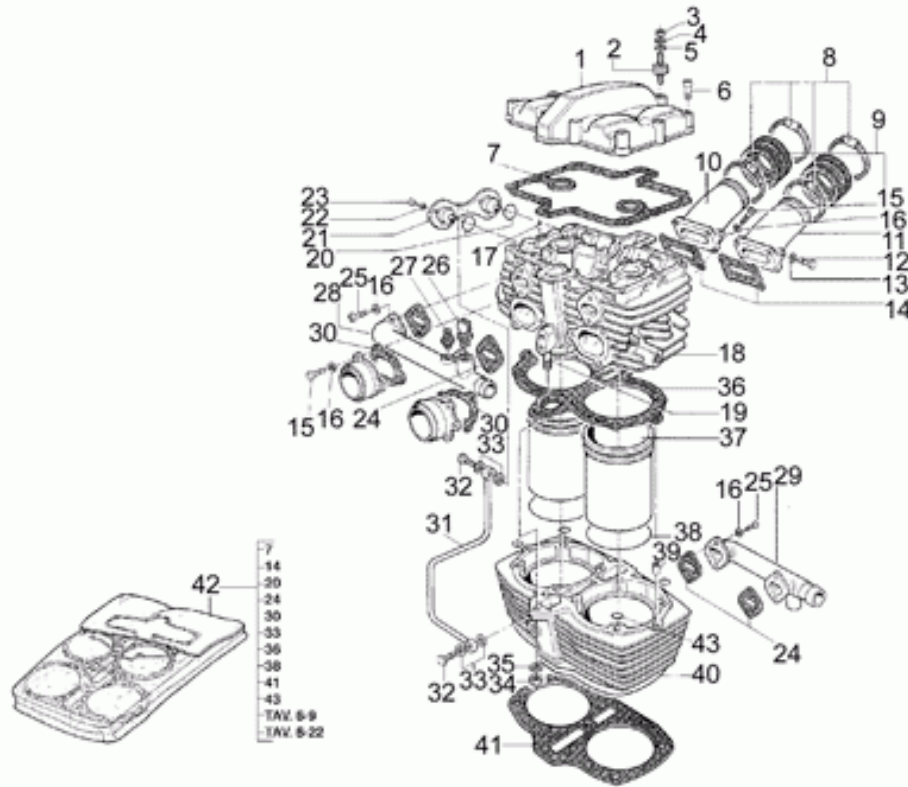


Ref.	Descrizione	Description	Year	I.M.	Country	Version	Code	Qty
21	Paraspruzzi	Splash guard	-	-	-	-	LV055004000 032	1
22	Vite TE M5X16	Hex screw M5X16	-	-	-	-	LV030002V3 8053	2
23	Rosetta 5,3X10X1	Washer 5,3X10X1	-	-	-	-	LV033001000 085	2
24	Tubo	Pipe	-	-	-	-	LV036002000 018	1
25	Fascetta 14/24	Hose clamp 14/24	-	-	-	-	LV037001V1 0100	2
26	Vite TCEI M5X35	Hex socket screw M5X35	-	-	-	-	LV030007000 005	2
27	Rosetta 6X10X1	Washer 6X10X1	-	-	-	-	LV033001V1 1104	1
28	Sensore SEN 8I3	Sensor SEN 8I3	-	-	-	-	LV077003000 016	1
29	Vite TCEI M4X16	Hex socket screw M4X16	-	-	-	-	LV030007000 003	2
30	Rosetta Grower d.4	Washer d.4	-	-	-	-	LV033001000 076	2
31	Gommino supporto sensore	Rubber sensor support	-	-	-	-	LV055001000 055	1
32	Astina olio	Oil level rod	-	-	-	-	LV061009000 116	1
33	Guarnizione coperchio	Cover gasket	-	-	-	-	LV055001000 077	1
34	Coperchio frizione	Clutch cover	-	-	-	M1	LV025003000 045	1
	Coperchio frizione	Clutch cover	-	-	-	M2	LV025003000 046	1
35	Vite TCEI M6X25	Hex socket screw M6X25	-	-	-	-	LV030007000 027	10
36	Vite TCEI M6X75	Hex socket screw M6X75	-	-	-	-	LV030007000 062	2
37	Vite TCEI M5X12	Hex socket screw M5X12	-	-	-	-	LV030007000 017	3
38	Coperchietto	Plug	-	-	-	-	LV058001V1 0157F	1
39	Dado M10	Nut M10	-	-	-	M1	LV030005V1 2203	1
	Dado M14X1,5 H6	Nut M14X1,5 H6	-	-	-	M2	LV030016000 054	1

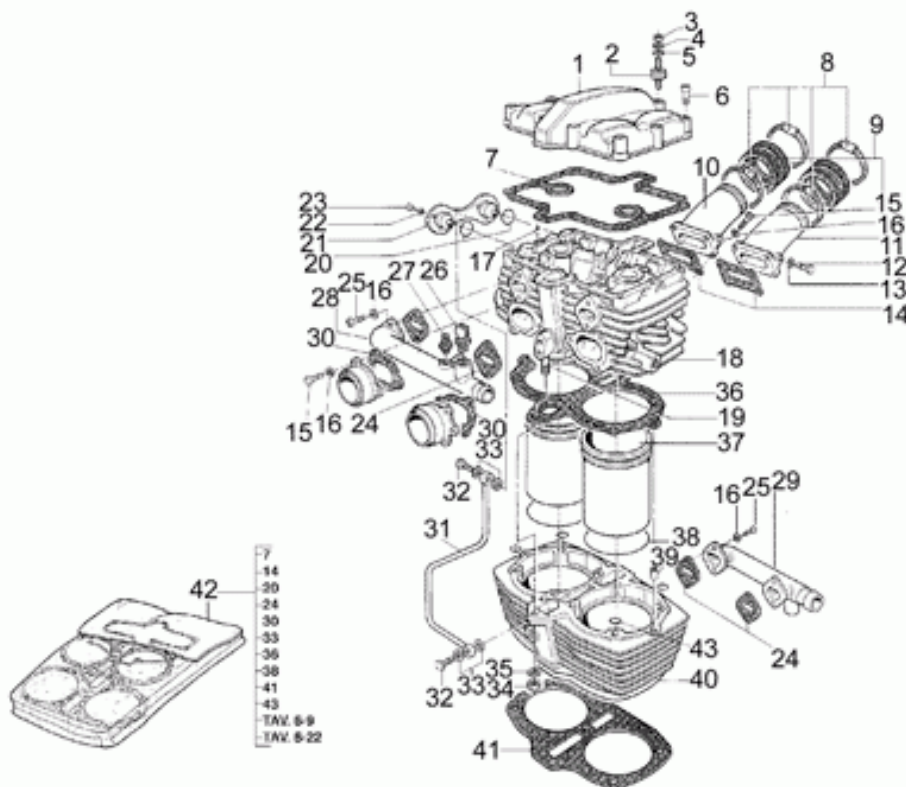


Ref.	Descrizione	Description	Year	I.M.	Country	Version	Code	Qty
40	Rosetta elastica d.10	Spring washer d.10	-	-	-	M1	LV033001V7 0020	1
	Rosetta elastica 14 mm	Spring washer 14 mm	-	-	-	M2	LV033001000 094	1
41	Ruota fonica	Wheel speed sensor, left front	-	-	-	M1	LV021003000 052	1
	Ruota fonica	Wheel speed sensor, left front	-	-	-	M2	LV021003000 061	1
42	Tubo olio	Oil pipe	-	-	-	-	LV036002000 044	1
43	Vite forata M10X1	Bored screw M10X1	-	-	-	-	LV030011000 038	1
44	Rosetta in rame 10,2X14X1,5	Copper washer 10,2X14X1,5	-	-	-	-	LV033001000 031	2
45	Vite tubo olio 1/4 Gas	Oil pipe screw 1/4 Gas	-	-	-	-	LV030011000 035	1
46	Rosetta 13,5X19X1,5	Washer 13,5X19X1,5	-	-	-	-	LV033001000 079	2
47	Guarnizioni frizione-serie	Clutch set gasket	-	-	-	-	LV047002000 052	1
48	Guarnizioni motore-serie	Engine set gasket	-	-	-	-	LV055002000 037	1
49	Raccordo	Union	-	-	-	-	LV037002000 006F	1
50	Guarnizione	Gasket	-	-	-	-	LV055001V1 0529	1
51	Sfiato	Breather	-	-	-	-	LV052005V0 4105	1
52	Coperchio sfiato cpl.	Breather cover cpl.	-	-	-	-	LV058001V1 0159F	1
53	O-ring 164	O-ring 164	-	-	-	-	LV055001V3 0070	1
54	Cuscinetto a sfere 20X47X14	Ball bearing 20X47X14	-	-	-	-	LV022001V0 4201	1
55	Grano M6X20	Dowel M6X20	-	-	-	-	LV030016000 056	1
56	Rosetta SS 14X20X2	Washer SS 14X20X2	-	-	-	M2	LV033001000 093	1

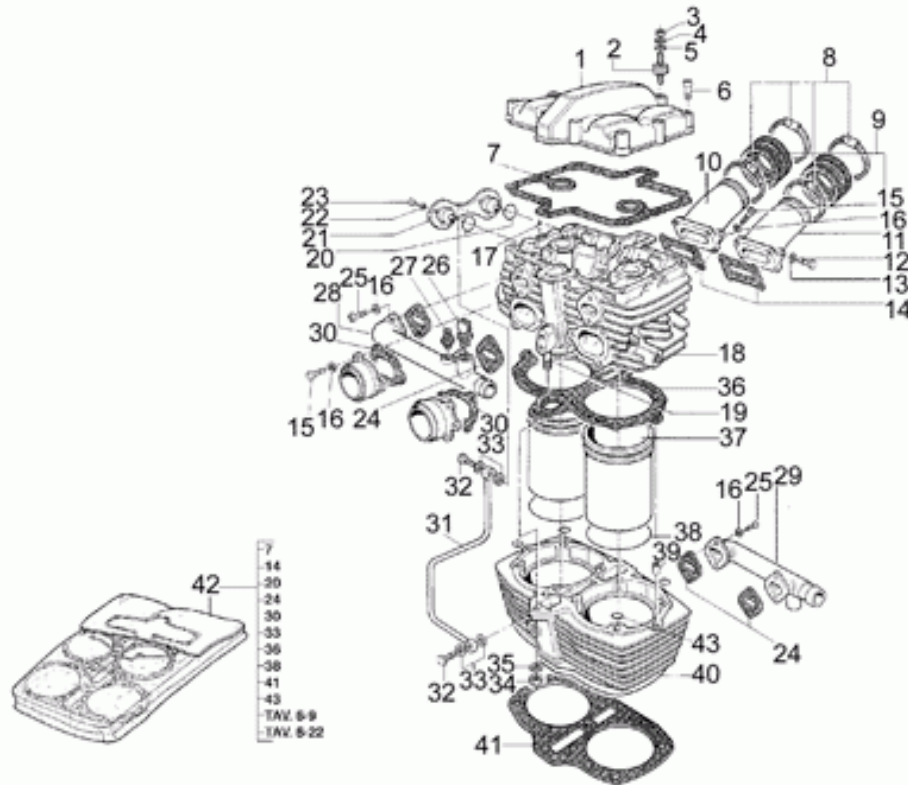




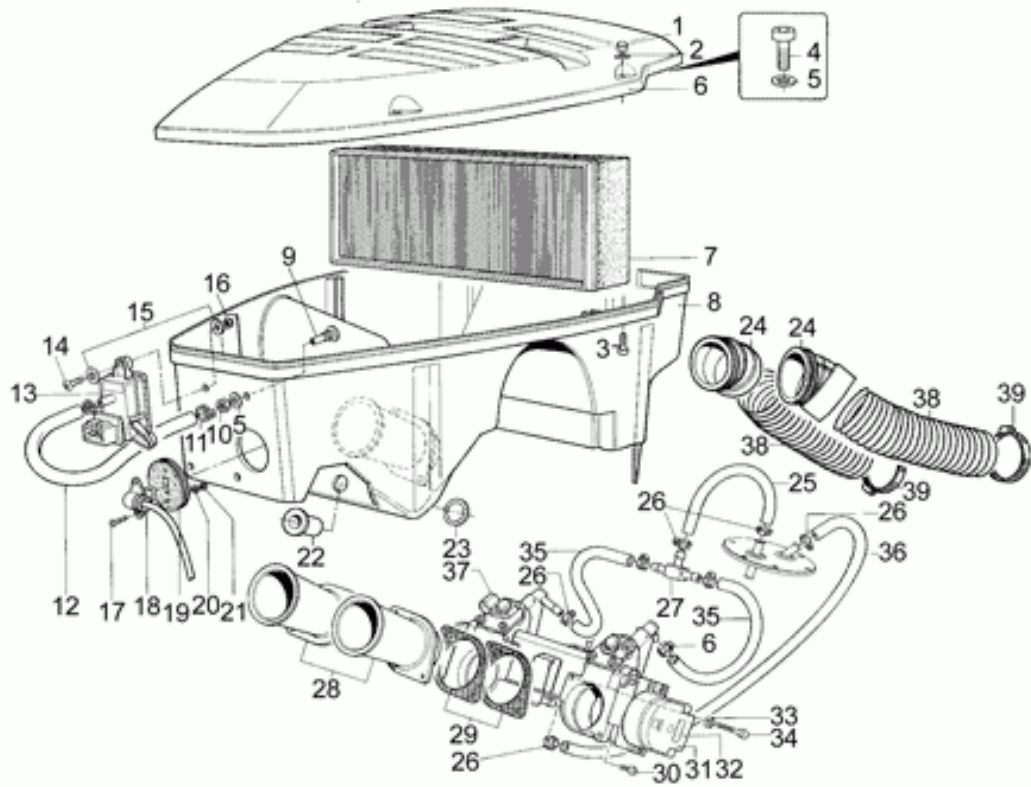
Ref.	Descrizione	Description	Year	I.M.	Country	Version	Code	Qty
1	Coperchio valvole	Valves cover	-	-	-	-	LV025003000 040	1
2	Silent block 20X10-6X16	Silent-block 20X10-6X16	-	-	-	-	LV050003000 015	1
3	Dado autobloc. M6	Self-locking nut M6	-	-	-	-	LV030015000 021	1
4	Rosetta elastica 6 mm	Spring washer 6 mm	-	-	-	-	LV033001000 013	1
5	Rosetta 6,4X16X1	Washer 6,4X16X1	-	-	-	-	LV033001V1 1050	1
6	Vite TCEI M6X35	Hex socket screw M6X35	-	-	-	-	LV030007000 033	10
7	Guarnizione coperchio	Cover gasket	-	-	-	-	LV055001000 075	1
8	Fascetta 40-60	Hose clamp 40-60	-	-	-	-	LV037001000 020	4
9	Manicotto corpo farfallato	Throttle body hose	-	-	-	-	LV036002000 015	2
10	Manicotto aspirazione dx	Intake hose RH	-	-	-	-	LV029001000 012	1
11	Manicotto aspirazione sx	Intake hose LH	-	-	-	-	LV029001000 013	1
12	Vite TCEI M6X10	Hex socket screw M6X10	-	-	-	-	LV030007000 008	2
13	Rosetta in rame 6X12X1,5	Copper washer 6X12X1,5	-	-	-	-	LV033001V1 1014	2
14	Guarnizione	Gasket	-	-	-	-	LV055001000 071	2
15	Vite TCEI M6X20	Hex socket screw M6X20	-	-	-	-	LV030007000 009	14
16	Rosetta Grower d.6	Washer d.6	-	-	-	-	LV033001000 075	22
17	Rullo RC-6X8	Roller RC-6X8	-	-	-	-	LV034001000 005	2
18	Testa	Cylinder head	-	-	-	-	LV025001000 021	1
19	Prigioniero M8X40	Stud bolt M8X40	-	-	-	-	LV034002000 029	1
20	O-ring 2100	O-ring 2100	-	-	-	-	LV055001000 072	2
21	Flangia alberi a camme	Camshaft flange	-	-	-	-	LV037002000 031	1



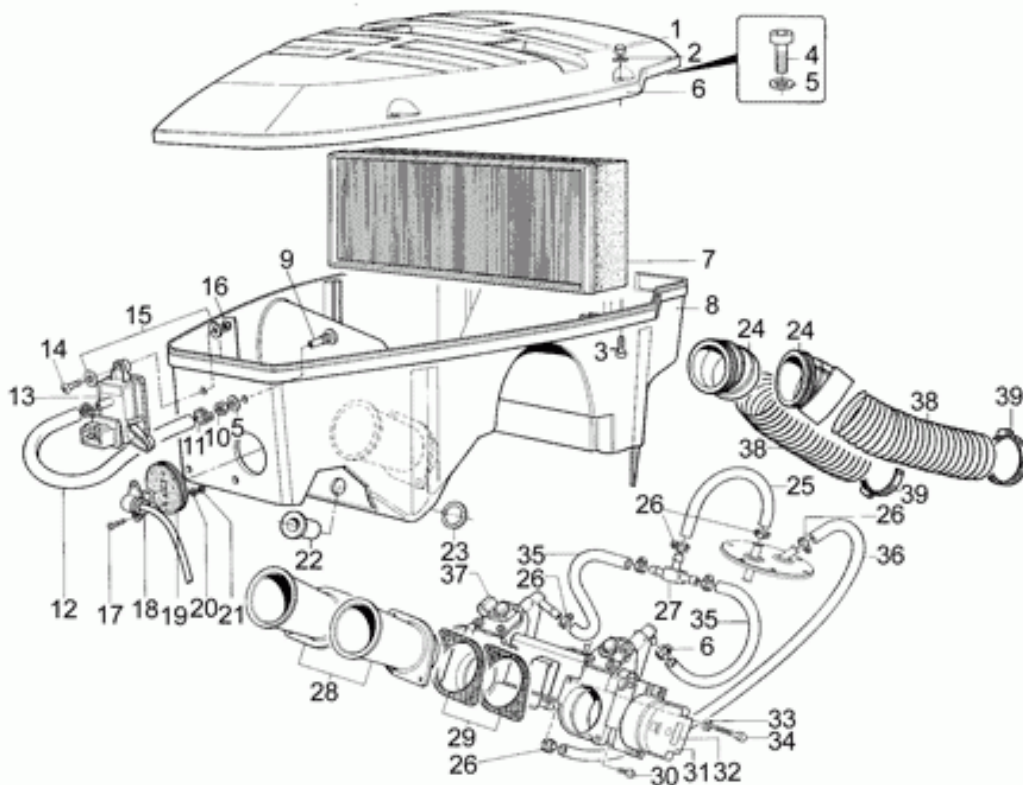
Ref.	Descrizione	Description	Year	I.M.	Country	Version	Code	Qty
22	Rosetta Grower d.5	Washer d.5	-	-	-	-	LV033001000 088	6
23	Vite TCEI M5X14	Hex socket screw M5X14	-	-	-	-	LV030007000 022	6
24	Guarnizione	Gasket	-	-	-	-	LV055001000 082	4
25	Vite TCEI M6X16	Hex socket screw M6X16	-	-	-	-	LV030007000 025	8
26	Sensore temperatura	Temp. Sensor	-	-	-	-	LV077003000 004	1
27	Sensore temperatura	Temp. Sensor	-	-	-	-	LV071003000 009	1
28	Tubo uscita acqua	Outlet water hose	-	-	-	-	LV036002000 042	1
29	Tubo mandata acqua	Delivery water pipe	-	-	-	-	LV036002000 041	1
30	Guarnizione scarico	Exhaust pipe gasket	-	-	-	-	LV055001000 081	2
31	Tubo olio	Oil pipe	-	-	-	-	LV036002000 047	1
32	Vite forata M10X1	Bored screw M10X1	-	-	-	-	LV030011000 038	2
33	Rosetta in rame 10,2X14X1,5	Copper washer 10,2X14X1,5	-	-	-	-	LV033001000 031	4
34	Dado M8	Nut M8	-	-	-	-	LV030005V1 0163	1
35	Rosetta 8,4X14X1,6	Washer 8,4X14X1,6	-	-	-	-	LV033001V1 2160	1
36	Guarnizione testa-cilindro	Cylinder head gasket	-	-	-	-	LV055001000 078	1
37	Canna cilindro+pistone	Cylinder liner + Piston	-	-	-	-	LV019001000 052	1
38	O-ring 2325	O-ring 2325	-	-	-	-	LV055001000 090	2
39	Grano di riferimento	Locating dowel	-	-	-	-	LV021006V0 1177	4
40	Cilindro cpl.	Cylinder, complete	-	-	-	-	LV025002000 023	1
	Cilindro 83,005-0,005mm	Cylinder 83,005-0,005mm	-	-	-	A	LV025002000 024	1
	Cilindro 83,0155-0,0045mm	Cylinder 83,0155-0,0045mm	-	-	-	B	LV025002000 025	1



Ref.	Descrizione	Description	Year	I.M.	Country	Version	Code	Qty
41	Guarnizione base cilindro	Cylinder base gasket	-	-	-	-	LV055001000 079	1
42	Guarnizioni-serie testa	Cylinder head set gasket	-	-	-	-	LV055001000 094	1
43	O-ring 108	O-ring 108	-	-	-	-	LV055001V3 0008	4

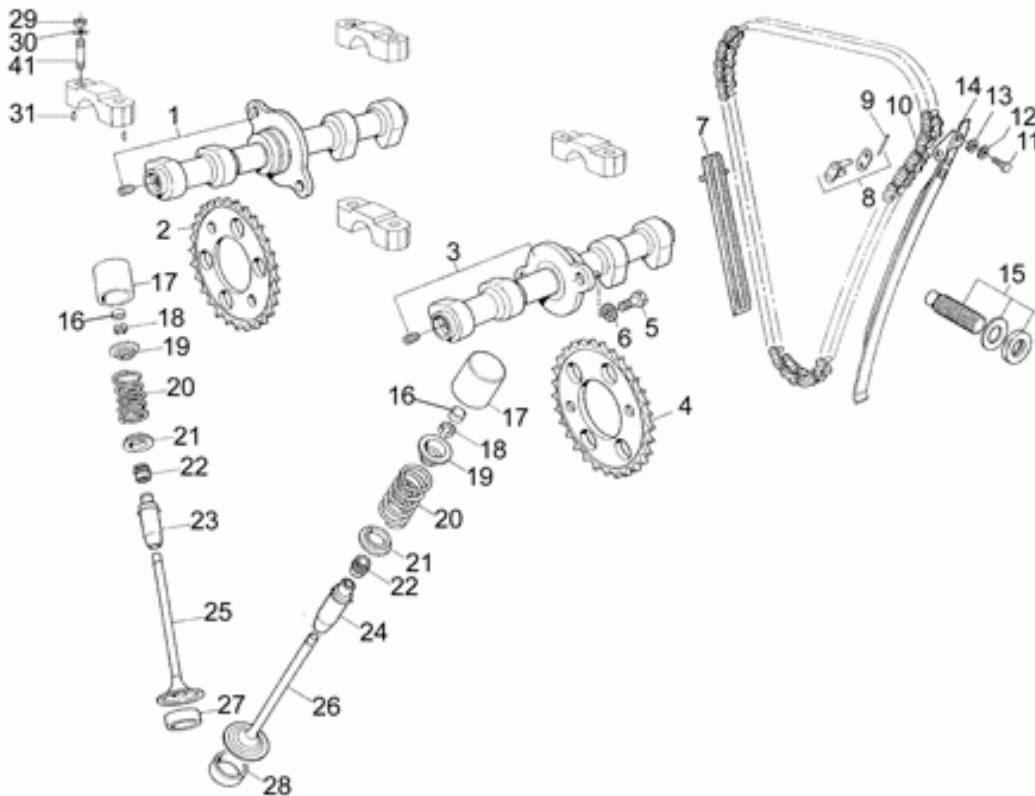


Ref.	Descrizione	Description	Year	I.M.	Country	Version	Code	Qty
1	Dado autobloc. M5	Self-locking nut M5	-	-	-	-	LV030005V3 0103	5
2	Rosetta 5,3X10X1	Washer 5,3X10X1	-	-	-	-	LV033001000 085	5
3	Vite TCEI M5X35	Hex socket screw M5X35	-	-	-	-	LV030007000 005	5
4	Vite TCEI M6X25	Hex socket screw M6X25	-	-	-	-	LV030007000 027	5
5	Rosetta elastica 6 mm	Spring washer 6 mm	-	-	-	-	LV033001000 013	6
6	Coperchio cassa filtro	Filter housing cover	-	-	-	-	LV062001000 042	1
7	Filtro aria	Air filter	-	-	-	-	LV062001V0 1109	1
8	Base cassa filtro	Filter housing base	-	-	-	-	LV062001000 043	1
9	Bussola	Bush	-	-	-	-	LV021003000 021	1
10	Dado M6	Nut M6	-	-	-	-	LV030005V1 1123	1
11	Fascetta stringitubo	Hose clamp	-	-	-	-	LV037001V2 4500	2
12	Tubo 5/9	Pipe 5/9	-	-	-	-	LV036002000 023	1
13	Sensore pressione	Pressure sensor	-	-	-	-	LV077003000 002	1
14	Vite TCBEI M4X20	Screw TCBEI M4X20	-	-	-	-	LV030010000 029	3
15	Rosetta 4,3X9X0,8	Washer 4,3X9X0,8	-	-	-	-	LV033001V1 0340	6
16	Dado autobloc. M4	Self-locking nut M4	-	-	-	-	LV030005V3 3083	3
17	Vite TC 3X12	Screw TC 3X12	-	-	-	-	LV030003V1 0373	2
18	Sensore temperatura aria	Air temp. Sensor	-	-	-	-	LV077003000 003	1
19	Gommino supporto sensore	Rubber sensor support	-	-	-	-	LV050003000 030	1
20	Rosetta 3,2X7X0,5	Washer 3,2X7X0,5	-	-	-	-	LV033001V1 0110	2
21	Dado autobloc. M3	Self-locking nut M3	-	-	-	-	LV030015000 001	2

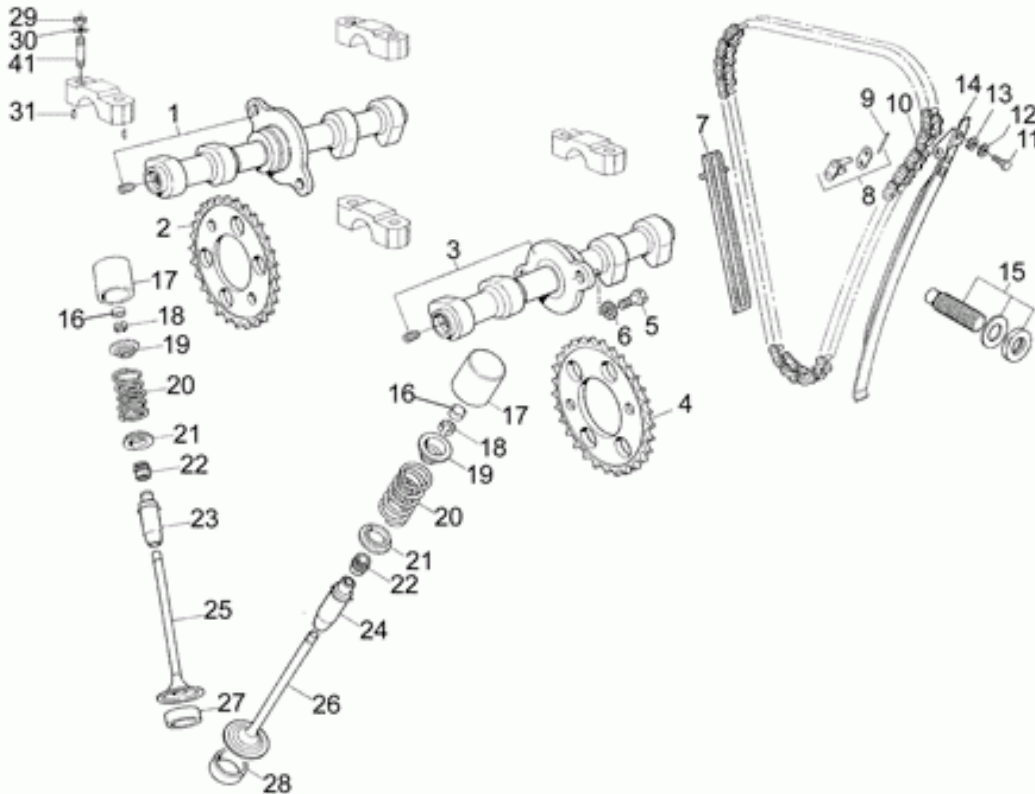


Ref.	Descrizione	Description	Year	I.M.	Country	Version	Code	Qty
22	Raccordo sfiato	Breather pipe union	-	-	-	-	LV037002000 017	1
23	Anello Seeger ZA-18	Circlip ZA-18	-	-	-	-	LV050002000 014	1
24	Manicotto aspirazione	Intake hose	-	-	-	-	LV029001000 015	2
25	Tubo benz. 148 mm	Fuel pipe 148 mm	-	-	-	-	LV036002000 016	1
26	Fascetta 13 mm	Hose clamp 13 mm	-	-	-	-	LV037001000 014	8
27	Raccordo a "T"	Tee union	-	-	-	-	LV037002000 019	1
28	Manicotto presa aria	Air intake hose	-	-	-	-	LV062001000 038	2
29	Guarnizione	Gasket	-	-	-	-	LV055001000 054	4
30	Vite TE M5X20	Hex screw M5X20	-	-	-	-	LV030002V3 8063	2
31	Corpo farfallato cpl.	Throttle body cpl.	-	-	-	-	LV062005000 010	1
32	Potenziometro	Potentiometer	-	-	-	-	LV062005000 011	1
33	Rosetta Grower d.5	Washer d.5	-	-	-	-	LV033001V2 0005	3
34	Vite TCEI M5X40	Hex socket screw M5X40	-	-	-	-	LV030003V6 8303	2
35	Tubo benz. 48 mm	Fuel pipe 48 mm	-	-	-	-	LV036002000 010	2
36	Tubo benz. 85 mm	Fuel pipe 85 mm	-	-	-	-	LV036002000 017	1
37	Iniettore	Injector	-	-	-	-	LV062005000 070	2
38	Tubo flessibile	Flexible pipe	-	-	-	-	LV036002000 020	2
39	Fascetta	Hose clamp	-	-	-	-	LV037001V1 0500	2

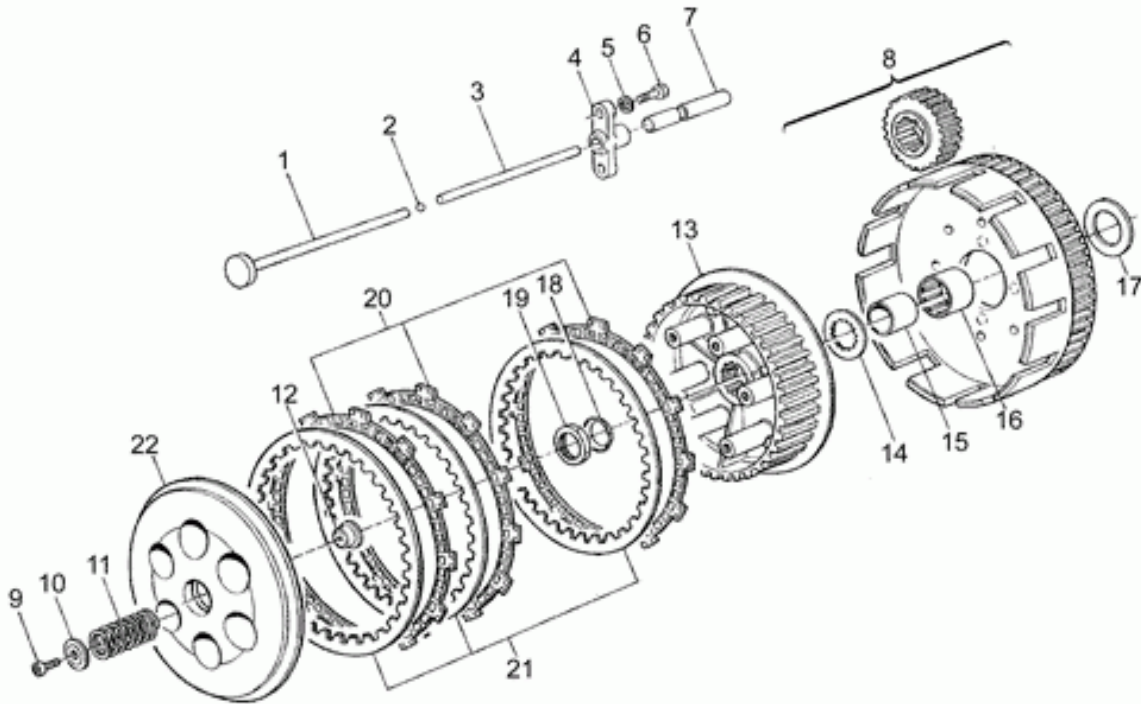




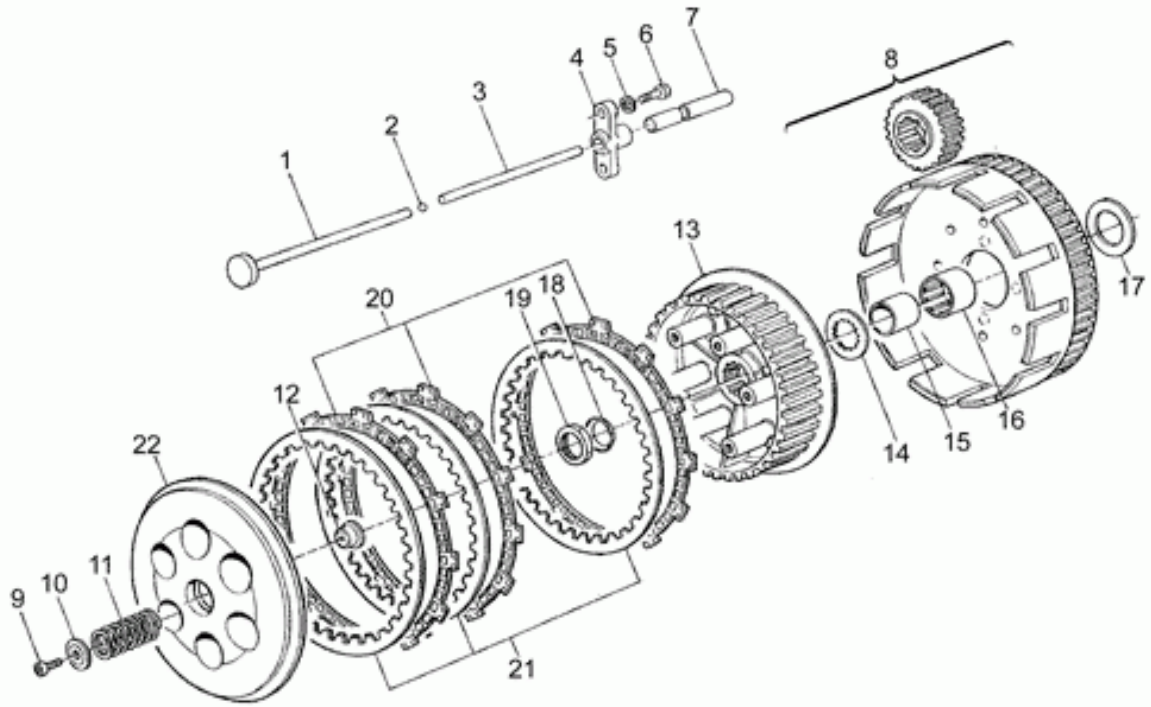
Ref.	Descrizione	Description	Year	I.M.	Country	Version	Code	Qty
1	Albero a camme scarico	Exhaust camshaft	-	-	-	-	LV043004000 009	1
2	Ingranaggio scarico	Exhaust gear	-	-	-	-	LV041001000 073	1
3	Albero a camme aspirazione	Intake camshaft	-	-	-	-	LV043004000 010	1
4	Ingranaggio aspirazione	Intake gear	-	-	-	-	LV041001000 072	1
5	Vite TE M7X10	Hex screw M7X10	-	-	-	-	LV030002V3 8383	4
6	Rosetta dentellata d.7	Notched washer d.7	-	-	-	-	LV033001V3 1007	4
7	Pattino guidacatena ant.	Front chain guide plate	-	-	-	-	LV031003000 012	1
8	Maglia di giunzione	Connecting link	-	-	-	-	LV041003V9 1256	1
9	Spina	Pin	-	-	-	-	LV034001V1 0197	1
10	Catena distribuzione	Camshaft chain	-	-	-	-	LV041003000 008W	1
11	Vite TE M6X20	Hex screw M6X20	-	-	-	-	LV030003000 105	1
12	Rosetta 6,4X12,5X1,6	Washer 6,4X12,5X1,6	-	-	-	-	LV033001000 086	1
13	Rosetta in rame 6X12X1,5	Copper washer 6X12X1,5	-	-	-	-	LV033001V1 1014	1
14	Pattino guidacatena post.	Rear chain guide plate	-	-	-	-	LV031003000 014	1
15	Tendicatena distribuzione	Chain stretching drive	-	-	-	-	LV030016000 044	1
16	Pastiglie valvole 2,30mm	Valves pads 2,30mm	-	-	-	-	LV052005V0 7082	8
	Pastiglie valvole 2,35mm	Valves pads 2,35mm	-	-	-	-	LV052005000 032	8
	Pastiglie valvole 2,38mm	Valves pads 2,38mm	-	-	-	-	LV052005V0 7083	8
	Pastiglie valvole 2,45mm	Valves pads 2,45mm	-	-	-	-	LV052005V0 7084	8
	Pastiglie valvole 2,52mm	Valves pads 2,52mm	-	-	-	-	LV052005V0 7085	8
	Pastiglie valvole 2,55mm	Valves pads 2,55mm	-	-	-	-	LV052005000 033	8



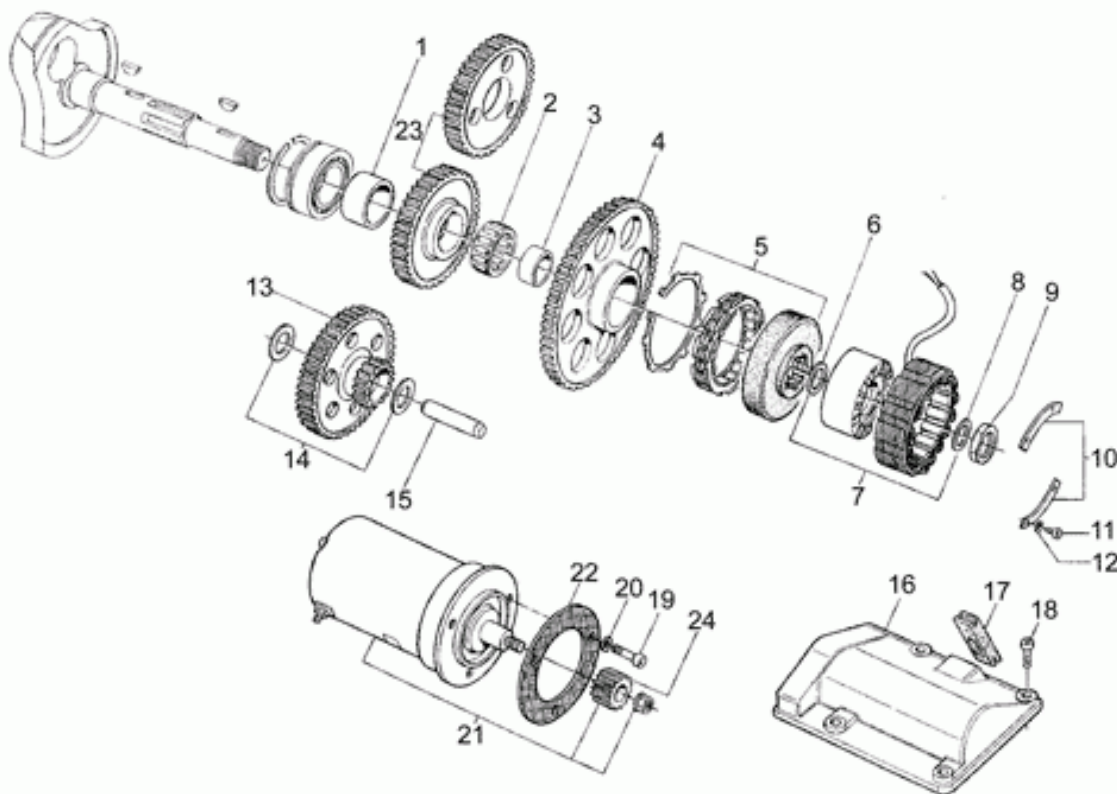
Ref.	Descrizione	Description	Year	I.M.	Country	Version	Code	Qty
16	Pastiglie valvole 2,60mm	Valves pads 2,60mm	-	-	-	-	LV052005V0 7086	8
	Pastiglie valvole 2,65mm	Valves pads 2,65mm	-	-	-	-	LV052005000 034	8
	Pastiglie valvole 2,70mm	Valves pads 2,70mm	-	-	-	-	LV052005V0 7087	8
	Pastiglie valvole 2,75mm	Valves pads 2,75mm	-	-	-	-	LV052005000 035	8
17	Bicchierino valvola	Valve lifter bucket	-	-	-	-	LV052005000 038	8
18	Semicono SK6	Half-cone SK6	-	-	-	-	LV052005000 027	16
19	Scodellino	Cup	-	-	-	-	LV052005000 028	8
20	Molla valvola	Valve spring	-	-	-	-	LV050001000 021	8
21	Scodellino	Cup	-	-	-	-	LV052005000 029	8
22	Gommino	Rubber spacer	-	-	-	-	LV055002000 013	8
23	Guidavalvola scarico	Exhaust valve guide	-	-	-	-	LV021003000 058	4
24	Guidavalvola aspirazione	Intake valve guide	-	-	-	-	LV021003000 057	4
25	Valvola scarico	Exhaust valve	-	-	-	-	LV052005000 042	4
26	Valvola aspirazione	Intake valve	-	-	-	-	LV052005000 041	4
27	Sede valvola scarico	Exhaust valve seating	-	-	-	-	LV025001000 024	4
28	Sede valvola aspirazione	Intake valve seating	-	-	-	-	LV025001000 023	4
29	Dado M6	Nut M6	-	-	-	-	LV030005V1 0123	8
30	Rosetta elastica 6 mm	Spring washer 6 mm	-	-	-	-	LV033001000 013	8
31	Spina 3X8	Pin 3X8	-	-	-	-	LV034001000 002	8
41	Prigioniero M6X36	Stud bolt M6X36	-	-	-	-	LV031002000 006	8



Ref.	Descrizione	Description	Year	I.M.	Country	Version	Code	Qty
1	Asta frizione	Push rod	-	-	-	-	LV034002000 054	1
2	Sfera 6 mm	Ball 6 mm	-	-	-	-	LV022008000 035	1
3	Asta frizione	Push rod	-	-	-	-	LV034002000 049	1
4	Supporto	Support	-	-	-	-	LV021001V0 8349	1
5	Rosetta dentellata d.6	Notched washer d.6	-	-	-	-	LV033001V3 1006	2
6	Vite TE M6X20	Hex screw M6X20	-	-	-	-	LV030003000 105	2
7	Perno	Pin	-	-	-	-	LV034002000 039	1
8	Campana frizione cpl.	Clutch housing, complete	-	-	-	-	LV046005000 048	1
9	Vite TCEI M6X20	Hex socket screw M6X20	-	-	-	-	LV030007000 026	6
10	Scodellino frizione	New cup type	-	-	-	-	LV046005000 030	6
11	Molla frizione	Clutch spring	-	-	-	-	LV050001000 036	6
12	Cuscinetto reggispinta	Thrust bearing	-	-	-	-	LV022004000 020	1
13	Mozzo frizione	Clutch hub	-	-	-	-	LV046005000 041	1
14	Rosetta 24,4X45X3,3	Washer 24,4X45X3,3	-	-	-	M3	LV033001000 023	1
	Rosetta 25X45X2,65	Washer 25X45X2,65	-	-	-	M4	LV033001000 069	1
15	Anello	Ring	-	-	-	M3	LV022008000 026	1
	Anello IR	Ring IR	-	-	-	M4	LV022008000 024	1
16	Astuccio a rullini HK 3026	Needle bearing HK 3026	-	-	-	-	LV022008000 023	1
17	Rosetta 25X45X2,65	Washer 25X45X2,65	-	-	-	-	LV033001000 069	1
18	Molla a tazza 35,5X18,3X2	Belleville spring 35,5X18,3X2	-	-	-	-	LV033001000 048	1
19	Dado sx M18X1	LH nut M18X1	-	-	-	-	LV030016000 039	1

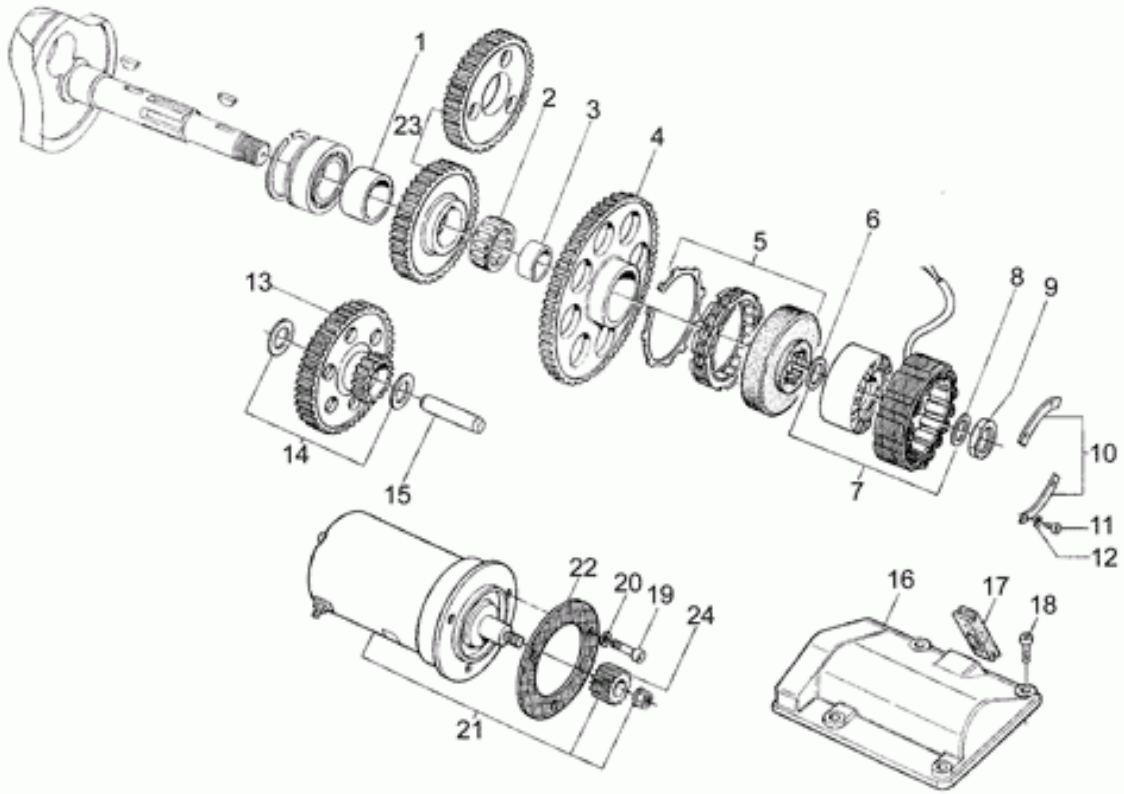


Ref.	Descrizione	Description	Year	I.M.	Country	Version	Code	Qty
20	Dischi frizione	Clutch disks	-	-	-	-	LV046005000 043	9
21	Disco frizione condotto	Driven clutch disc	-	-	-	-	LV046005000 042	8
22	Spingidisco frizione	Clutch pressure plate	-	-	-	-	LV046005000 046	1

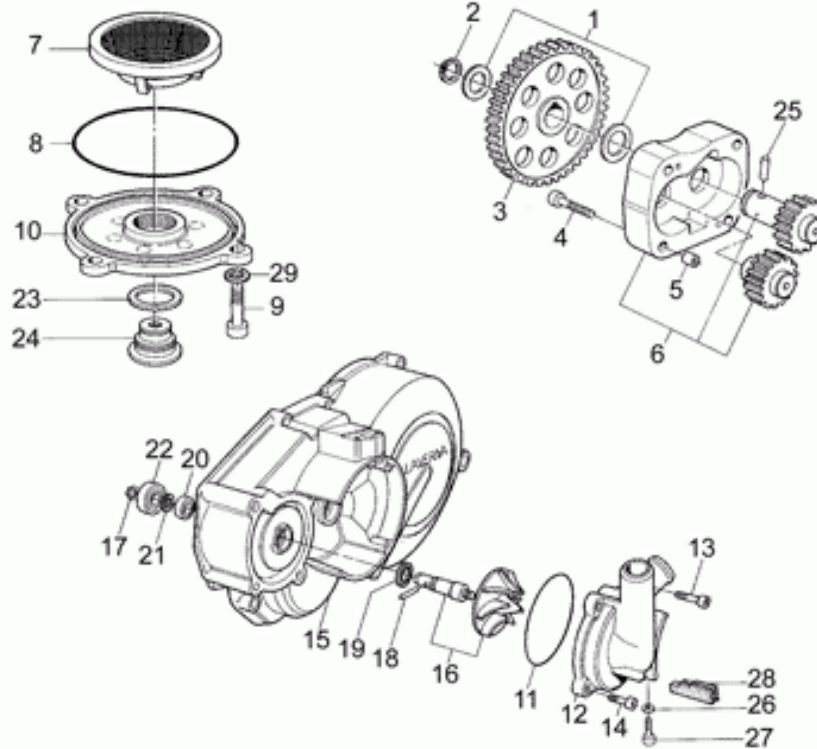


Ref.	Descrizione	Description	Year	I.M.	Country	Version	Code	Qty
1	Distanziale	Spacer	-	-	-	-	LV034003000 033	1
2	Gabbia a rulli K30X37X18	Roller cage K30X37X18	-	-	-	-	LV022008000 015	1
3	Distanziale int.	Internal spacer	-	-	-	-	LV022008000 016	1
4	Ingranaggio Z=86	Gear Z=86	-	-	-	-	LV041001000 078	1
5	Ruota libera cpl.	Starter clutch assy.	-	-	-	-	LV040004000 006	1
6	Rosetta 20,2X33X1,5	Washer 20,2X33X1,5	-	-	-	-	LV033001000 072	1
7	Volano cpl.	Flywheel cpl.	-	-	-	-	LV073003000 021W	1
8	Rosetta 18,2X33X1,5	Washer 18,2X33X1,5	-	-	-	-	LV033001000 090	1
9	Dado sx M18X1	LH nut M18X1	-	-	-	-	LV030016000 039	1
10	Fascetta	Hose clamp	-	-	-	-	LV037001V9 0600	2
11	Vite TCEI M6X14	Hex socket screw M6X14	-	-	-	-	LV030003V6 2053	4
12	Rosetta elastica 6 mm	Spring washer 6 mm	-	-	-	-	LV033001000 013	4
13	Ingranaggio rinvio Z19/50	Intermediate gear Z19/50	-	-	-	-	LV041001000 070	1
14	Rosetta PS 10X16X1	Washer PS 10X16X1	-	-	-	-	LV033001V1 3031	2
15	Spina	Pin	-	-	-	-	LV034001V1 0127	1
16	Coperchio motore avviamento	Starter motor cover	-	-	-	-	LV058001V1 0153	1
17	Gommino	Rubber spacer	-	-	-	-	LV050004V0 6052	1
18	Vite TCEI M5X12	Hex socket screw M5X12	-	-	-	-	LV030007000 017	4
19	Vite TCEI M6X20	Hex socket screw M6X20	-	-	-	-	LV030007000 009	3
20	Rosetta dentellata d.6	Notched washer d.6	-	-	-	-	LV033001V3 1006	3
21	Motorino avviamento	Starter motor	-	-	-	-	LV072002000 005	1

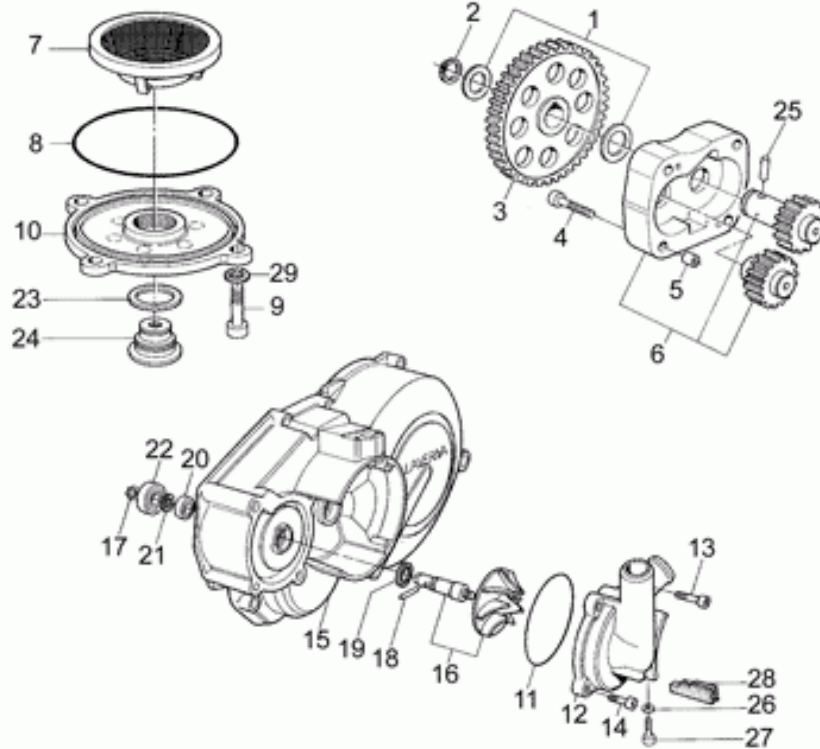




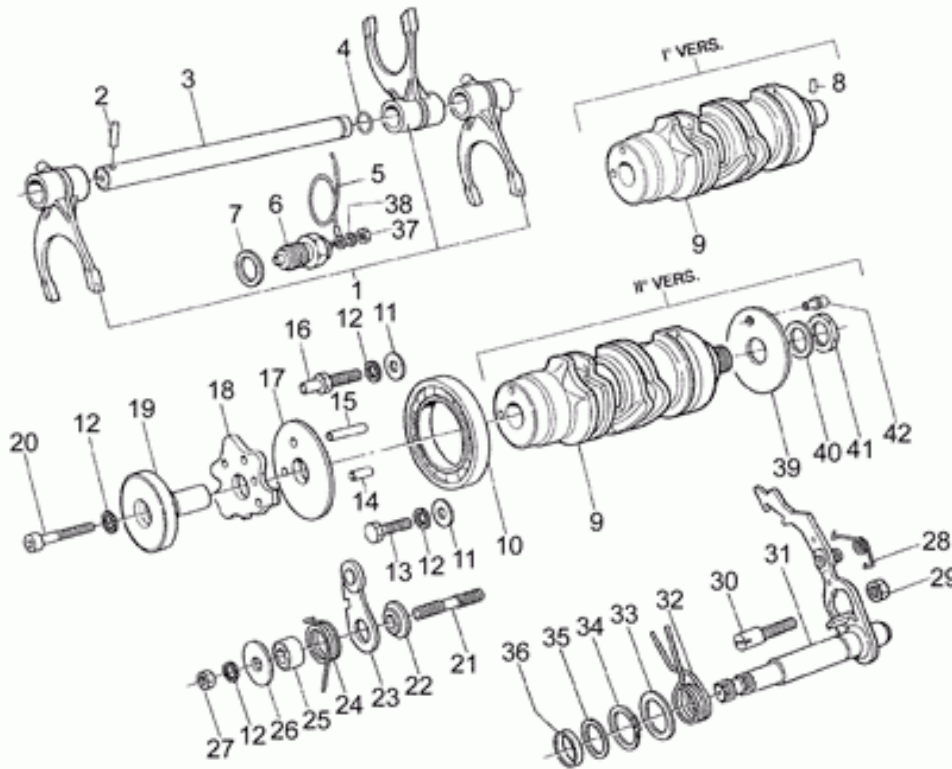
Ref.	Descrizione	Description	Year	I.M.	Country	Version	Code	Qty
22	Guarnizione	Gasket	-	-	-	-	LV055001000 070	1
23	Ingran.contralbero cpl.	Balance shaft gear cpl.	-	-	-	-	LV019002000 080	1
24	Pignone m/m	Starting pinion	-	-	-	-	LV041001000 098	1



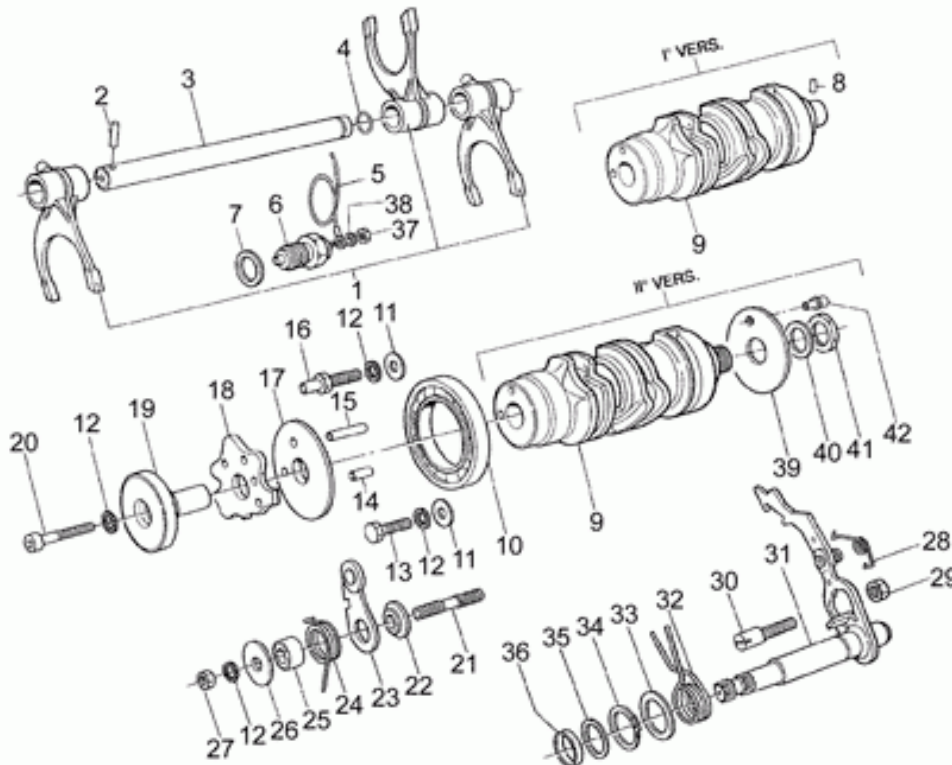
Ref.	Descrizione	Description	Year	I.M.	Country	Version	Code	Qty
1	Rosetta PS 12X18X0,5	Washer PS 12X18X0,5	-	-	-	-	LV033001V1 3591	2
2	Anello Seeger 12mm DIN471	Circlip 12mm DIN471	-	-	-	-	LV050003V1 0124	1
3	Ingranaggio pompa olio	Oil pump gear	-	-	-	-	LV041001000 091	1
4	Vite TCEI M5X30	Hex socket screw M5X30	-	-	-	-	LV030007000 020	4
5	Grano di riferimento	Locating dowel	-	-	-	-	LV021003000 036	2
6	Pompa olio	Oil pump	-	-	-	-	LV019001000 054	1
7	Filtro olio	Oil filter	-	-	-	-	LV062001000 018	1
8	O-ring 3256	O-ring 3256	-	-	-	-	LV055001V3 0051	1
9	Vite TCEI M6X20	Hex socket screw M6X20	-	-	-	-	LV030007000 009	4
10	Coperchio filtro olio	Oil filter cover	-	-	-	-	LV025003000 027F	1
11	O-ring 3325	O-ring 3325	-	-	-	-	LV055001000 087	1
12	Coperchio pompa acqua	Water pump cover	-	-	-	-	LV025003000 043	1
13	Vite TCEI M6X25	Hex socket screw M6X25	-	-	-	-	LV030007000 027	2
14	Vite TCEI M6X75	Hex socket screw M6X75	-	-	-	-	LV030007000 062	2
15	Coperchio frizione	Clutch cover	-	-	-	M1	LV025003000 045	1
	Coperchio frizione	Clutch cover	-	-	-	M2	LV025003000 046	1
16	Girante pompa acqua cpl.	Water pump impeller cpl.	-	-	-	-	LV019001000 079	1
17	Anello Seeger 10mm DIN471	Circlip 10mm DIN471	-	-	-	-	LV050003V1 0120	1
18	Rullo 4X17,8	Roller 4X17,8	-	-	-	-	LV034001000 003	1
19	Guarnizione 12X19X5	Gasket 12X19X5	-	-	-	-	LV055001000 098	1
20	Cuscinetto a sfere 10X19X5	Ball bearing 10X19X5	-	-	-	-	LV022001000 014	1



Ref.	Descrizione	Description	Year	I.M.	Country	Version	Code	Qty
21	Guarnizione 10X16X4	Gasket 10X16X4	-	-	-	-	LV055001000 091	1
22	Cuscinetto a sfere 10X22X6	Ball bearing 10X22X6	-	-	-	-	LV022001000 017	1
23	Rosetta 22X30X1,5	Washer 22X30X1,5	-	-	-	-	LV033001000 043	1
24	Tappo M22X1,5	Plug M22X1,5	-	-	-	-	LV055004000 012	1
25	Rullo 4X13,8	Roller 4X13,8	-	-	-	-	LV034001V3 0814	1
26	Rosetta in rame 6X12X1,5	Copper washer 6X12X1,5	-	-	-	-	LV033001V1 1014	1
27	Vite TCEI M6X10	Hex socket screw M6X10	-	-	-	-	LV030007000 008	1
28	Gommino	Rubber spacer	-	-	-	-	LV050003000 038	2
29	Rosetta Grower d.6	Washer d.6	-	-	-	-	LV033001000 075	4

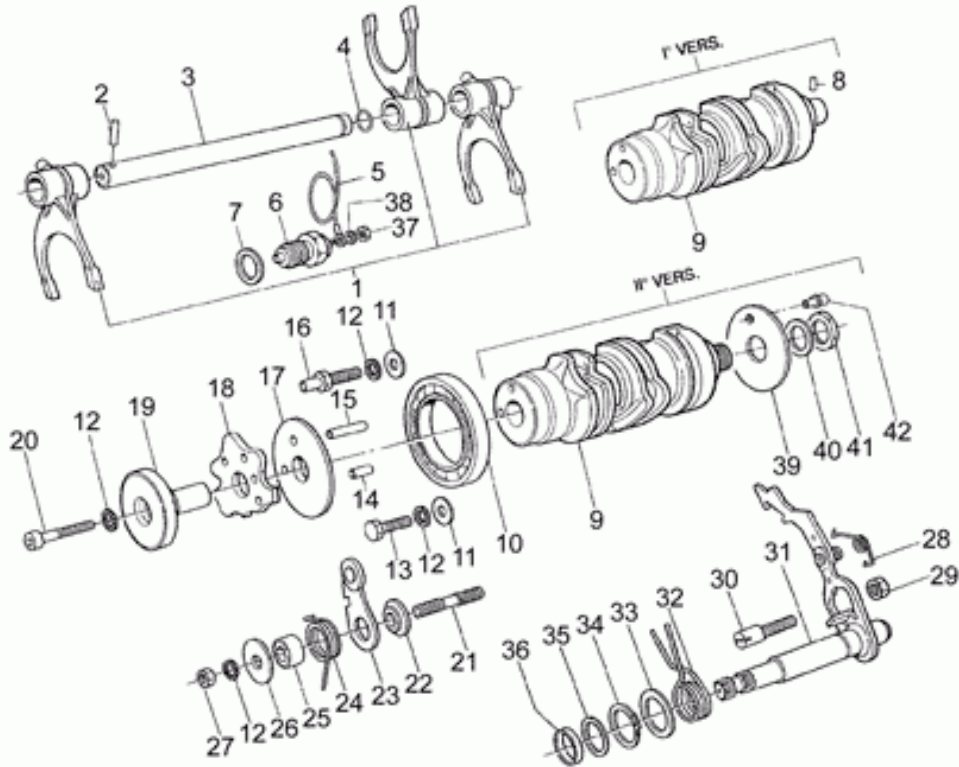


Ref.	Descrizione	Description	Year	I.M.	Country	Version	Code	Qty
1	Forchetta leva cambio	Gear selector fork	-	-	-	-	LV043005000	3
2	Rullo 4X20	Roller 4X20	-	-	-	-	LV034001V3	1
3	Albero forchetta	Fork shaft	-	-	-	-	LV040001V1	1
4	O-ring 108	O-ring 108	-	-	-	-	LV055001V3	1
5	Cablaggio interr.stop	B.I. switch wiring	-	-	-	IF10	LV071001000	1
	Cablaggio interr.stop	B.I. switch wiring	-	-	-	IF14	LV071001000	1
6	Interruttore NEUTRAL	Switch NEUTRAL	-	-	-	-	LV071003000	1
	Interruttore NEUTRAL	Switch NEUTRAL	-	-	-	-	LV071003V0	1
7	Rosetta in rame 14,25X20X1,5	Copper washer 14,25X20X1,5	-	-	-	-	LV033001V1	1
	Rosetta in rame 14X20X1	Copper washer 14X20X1	-	-	-	-	LV033001V1	1
8	Spina Spirol 10X24	Pin Spirol 10X24	-	-	-	-	LV034001V1	1
9	Desmodromico	Shift cam	-	-	-	1a	LV043005000	1
	Desmodromico	Shift cam	-	-	-	2a	LV043005000	1
10	Cuscinetto a sfere 30X55X9	Ball bearing 30X55X9	-	-	-	-	LV022001V0	1
11	Rosetta 6,5X18X1,5	Washer 6,5X18X1,5	-	-	-	-	LV033001000	2
12	Rosetta dentellata d.6	Notched washer d.6	-	-	-	-	LV033001V3	4
13	Vite TE M6X16	Hex screw M6X16	-	-	-	-	LV030002V3	1
14	Rullo 4X12	Roller 4X12	-	-	-	-	LV034001V3	3
15	Rullo 4X20	Roller 4X20	-	-	-	-	LV034001V3	2
16	Perno filettato	Threaded pin	-	-	-	-	LV030004V9	1
17	Distanziale	Spacer	-	-	-	-	LV034003000	1

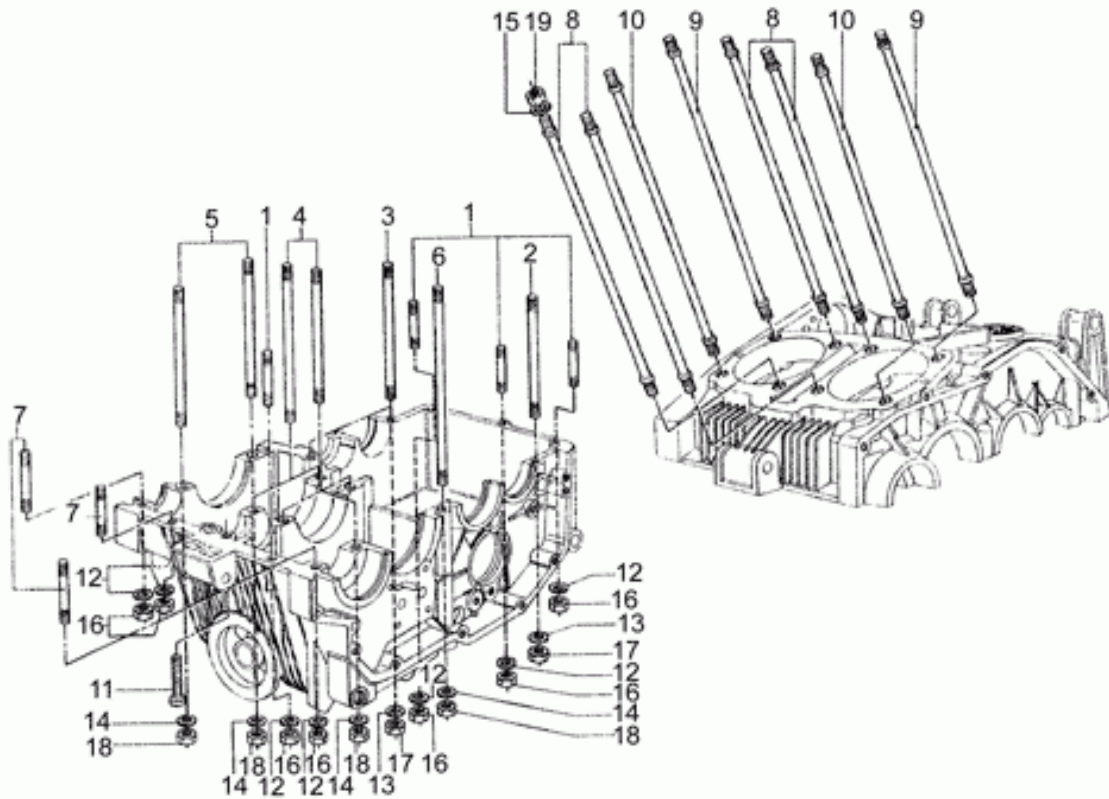


Ref.	Descrizione	Description	Year	I.M.	Country	Version	Code	Qty
18	Selettore cambio	Gear box selector	-	-	-	-	LV043002000 025	1
19	Selettore	Selector	-	-	-	-	LV043002000 026	1
20	Vite TCEI M6X40	Hex socket screw M6X40	-	-	-	-	LV030003V6 2163	1
21	Prigioniero M6X44	Stud bolt M6X44	-	-	-	-	LV031001V3 2833	1
22	Distanziale	Spacer	-	-	-	-	LV034003000 035	1
23	Levetta	Lever	-	-	-	-	LV043003V0 4242	1
24	Molla	Spring	-	-	-	-	LV050001000 019	1
25	Distanziale	Spacer	-	-	-	-	LV034003000 036	1
26	Rosetta 6,25X23X3	Washer 6,25X23X3	-	-	-	-	LV033001000 021	1
27	Dado M6	Nut M6	-	-	-	-	LV030005V1 0123	1
28	Molla	Spring	-	-	-	-	LV050001V9 0253	1
29	Dado M8	Nut M8	-	-	-	-	LV030005V1 1163	1
30	Perno bilanciante	Rocker shaft	-	-	-	-	LV034002V5 0102	1
31	Albero selettore+arpionismo	Gearshift shaft+pawl assy	-	-	-	-	LV040001V2 2151	1
32	Molla forcina	Pin spring	-	-	-	-	LV050001V2 0095	1
33	Rosetta 14,25X23X1	Washer 14,25X23X1	-	-	-	-	LV033001V1 4121	2
34	Anello Seeger 14mm DIN471	Circlip 14mm DIN471	-	-	-	-	LV050003V1 0128	1
35	Rosetta PS 12X18X0,5	Washer PS 12X18X0,5	-	-	-	-	LV033001V1 3671	1
36	Paraolio Baof 12X16X3	Oil seal Baof 12X16X3	-	-	-	-	LV055002000 009	1
37	Dado M4	Nut M4	-	-	-	-	LV030005V1 1087	1
38	Rosetta dentellata d.4	Notched washer d.4	-	-	-	-	LV033001V3 1004	1





Ref.	Descrizione	Description	Year	I.M.	Country	Version	Code	Qty
39	Disco supporto	Support disc	-	-	-	-	LV021001000 280	1
40	Rosetta PS 16X22X1,5	Washer PS 16X22X1,5	-	-	-	-	LV033001000 089	1
41	Dado M16X1,5	Nut M16X1,5	-	-	-	-	LV030016000 042	1
42	Sensore folle	Sensor	-	-	-	-	LV034002000 055	1



Ref.	Descrizione	Description	Year	I.M.	Country	Version	Code	Qty
1	Prigioniero M6X54	Stud bolt M6X54	-	-	-	-	LV031001V3 2843	5
2	Prigioniero M8X91	Stud bolt M8X91	-	-	-	-	LV031001V3 3813	1
3	Prigioniero M8X112	Stud bolt M8X112	-	-	-	-	LV031001V3 3663	1
4	Prigioniero M9X152	Stud bolt M9X152	-	-	-	-	LV031002000 026	4
5	Prigioniero M9X112	Stud bolt M9X112	-	-	-	-	LV031002000 025	3
6	Prigioniero M9X161	Stud bolt M9X161	-	-	-	-	LV031002000 027	2
7	Prigioniero M6X80	Stud bolt M6X80	-	-	-	-	LV031001V3 2563	2
8	Prigioniero M10X208	Stud bolt M10X208	-	-	-	-	LV031002000 035	4
9	Prigioniero M10X174	Stud bolt M10X174	-	-	-	-	LV031002000 036	2
10	Prigioniero M10X169	Stud bolt M10X169	-	-	-	-	LV031002000 037	2
11	Vite TCEI M6X50	Hex socket screw M6X50	-	-	-	-	LV030003V6 2183	1
12	Rosetta 6,4X12,5X1,6	Washer 6,4X12,5X1,6	-	-	-	-	LV033001V1 1010	7
13	Rosetta 8,5X17X2	Washer 8,5X17X2	-	-	-	-	LV033001V1 2201	2
14	Rosetta 9,25X17X2	Washer 9,25X17X2	-	-	-	-	LV033001000 068	9
15	Rosetta 10,5X18X2	Washer 10,5X18X2	-	-	-	-	LV033001000 070	8
16	Dado M6	Nut M6	-	-	-	-	LV030005V1 0123	7
17	Dado M8	Nut M8	-	-	-	-	LV030005V1 0163	2
18	Dado M9X1,25X8	Nut M9X1,25X8	-	-	-	-	LV030016000 036	9
19	Dado flangiato M10X1,5	Flanged nut M10X1,5	-	-	-	-	LV030015000 010	8