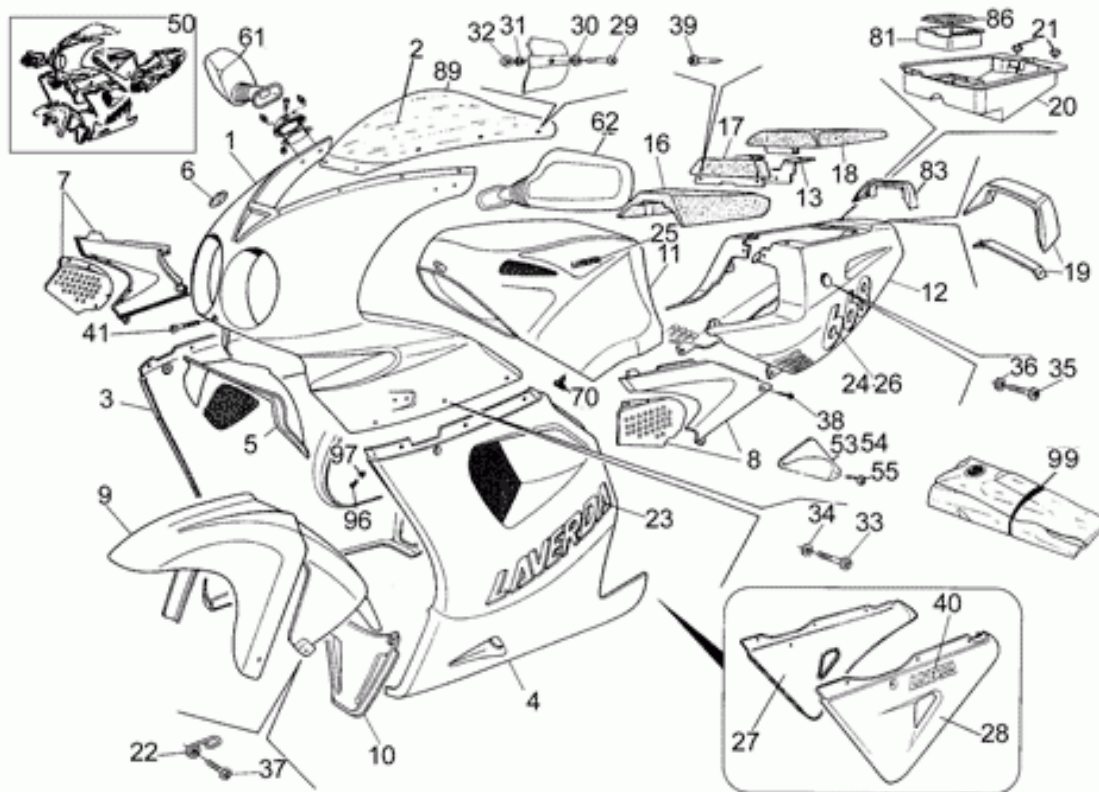
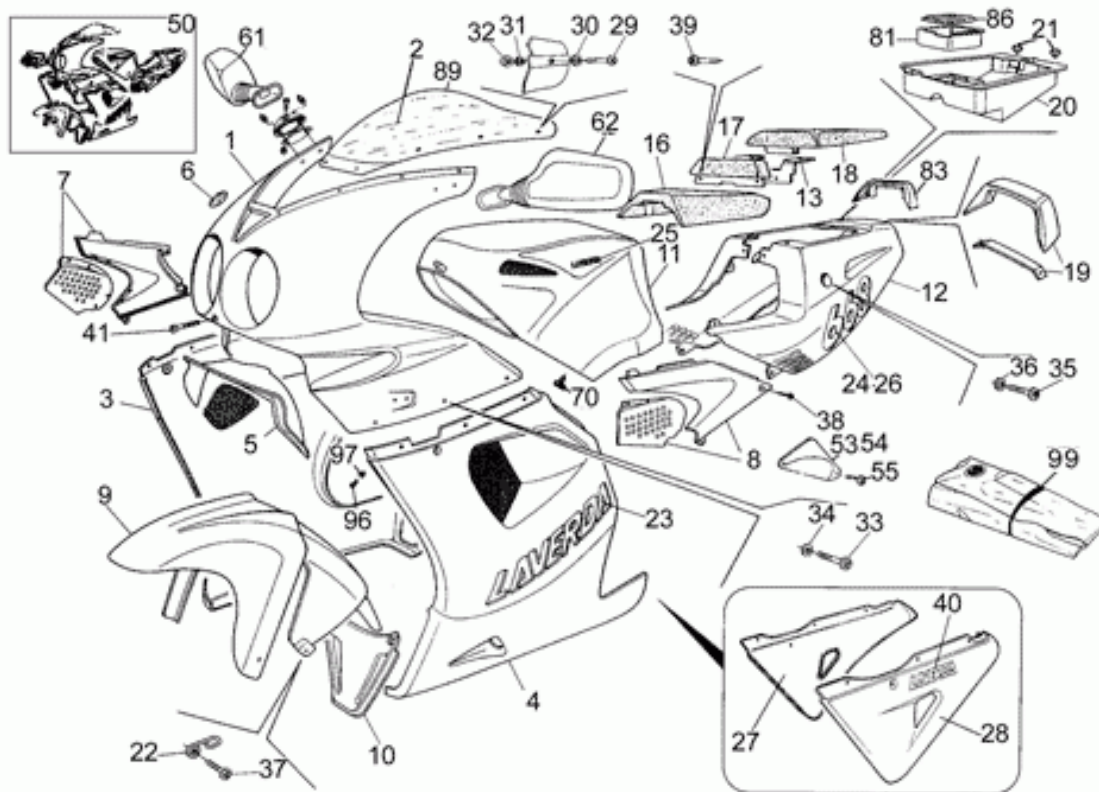


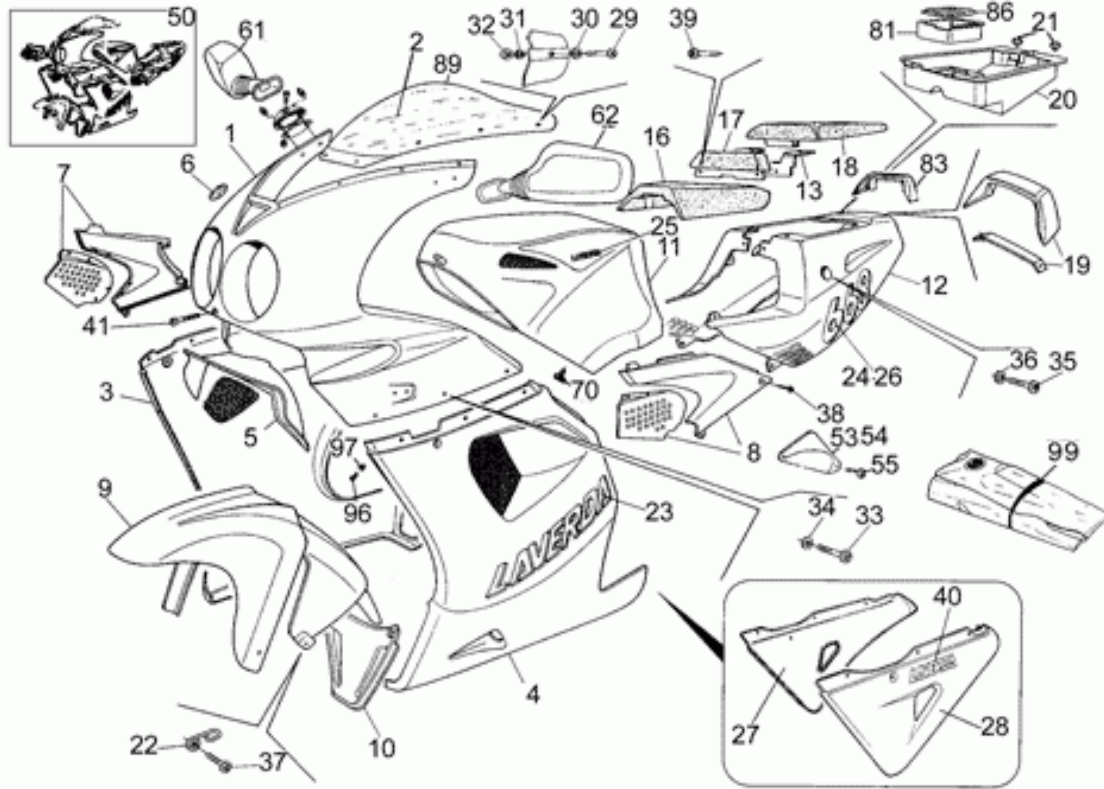
Ref.	Descrizione	Description	Year	I.M.	Country	Version	Code	Qty
1	Cupolino giallo	Windshield, yellow	-	-	-	red	LV061009000 125D	1
	Cupolino rosso	Windshield, red	-	-	-	yell	LV061009000 125A	1
2	Parabrezza	Windscreen	-	-	-	-	LV061009000 126	1
	Parabrezza	Windscreen	-	-	-	P	LV061009000 155	1
3	Carena dx argento/rosso	RH fairing, silver/red	-	-	-	668 red	LV019G0400 0008	1
	Carena dx argento/giallo	RH fairing, silver/yellow	-	-	-	668 yell	LV019H0400 0008	1
4	Carena sx argento/rosso	LH fairing, silver/red	-	-	-	668 red	LV019G0400 0009	1
	Carena sx argento/giallo	LH fairing, silver/yellow	-	-	-	668 yell	LV019H0400 0009	1
5	Protezione inf.scudo	Shield lower protection	-	-	-	-	LV061009000 127	1
6	Decalco Laverda	Decal Laverda	-	-	-	-	LV061010000 046	1
7	Fiancatina dx	RH side panel	-	-	-	668	LV019F04000 004	1
	Fiancatina dx rosso	RH side panel, red	-	-	-	DIA red	LV019A0400 0004	1
	Fiancatina dx giallo	RH side panel, yellow	-	-	-	DIA yell	LV019D0400 0004	1
8	Fiancatina sx	LH side panel	-	-	-	668	LV019F04000 005	1
	Fiancatina dx rosso	RH side panel, red	-	-	-	DIA red	LV019A0400 0005	1
	Fiancatina sx giallo	LH side panel, yellow	-	-	-	DIA yell	LV019D0400 0005	1
9	Parafango ant.rosso	Front mudguard, red	-	-	-	red	LV061009000 139A	1
	Parafango ant.giallo	Front mudguard, yellow	-	-	-	yell	LV061009000 139D	1
10	Puntale carena	Pillar	-	-	-	668	LV061009000 133F	1
11	Coperchio serbatoio	Tank cover	-	-	-	red	LV019A0400 0001	1
	Coperchio serbatoio	Tank cover	-	-	-	yell	LV019D0400 0001	1



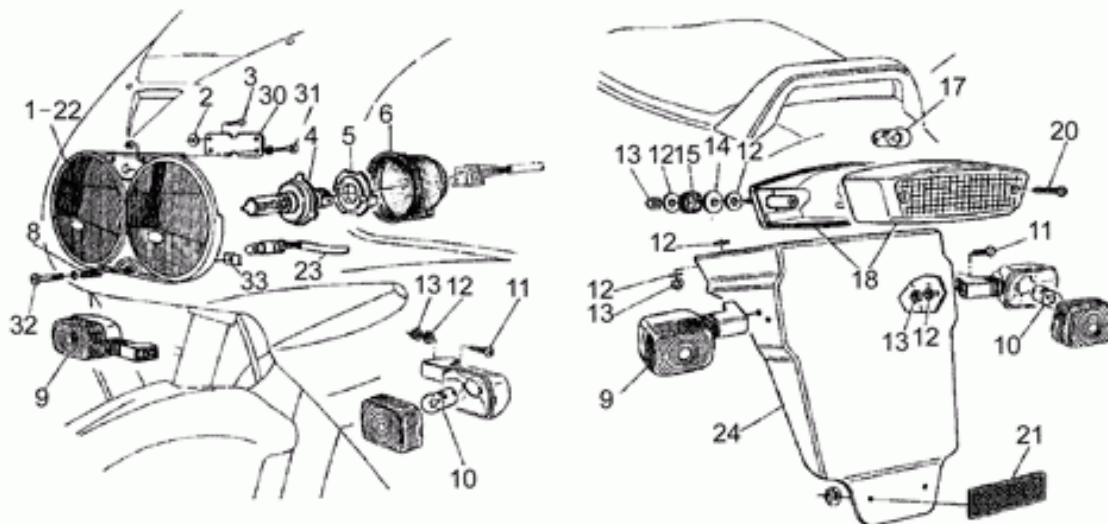
Ref.	Descrizione	Description	Year	I.M.	Country	Version	Code	Qty
12	Cupolino rosso	Windshield, red	-	-	-	668 red	LV061009000 136A	1
	Cupolino giallo	Windshield, yellow	-	-	-	668 yell	LV061009000 136D	1
	Cupolino rosso	Windshield, red	-	-	-	DIA red	LV061009000 206A	1
	Cupolino giallo	Windshield, yellow	-	-	-	DIA yell	LV061009000 206D	1
13	Coperchietto	Plug	-	-	-	-	LV061009000 138	1
16	Sella pilota	Driver saddle	-	-	-	-	LV061002000 009	1
17	Cuscino poggiaschiena	Seat cushion	-	-	-	-	LV061002000 011	1
18	Sella pass.	Rear saddle	-	-	-	-	LV061002000 010	1
19	Maniglia post.	Rear handle	-	-	-	-	LV061009000 121E	1
20	Scatola portaoggetti	Glove holder	-	-	-	-	LV061009000 156	1
21	Gommino	Rubber spacer	-	-	-	-	LV050004V0 2060	2
22	Guidacavo	Cable-guide	-	-	-	-	LV033005000 002	1
23	Decalco bianco Laverda	White decal Laverda	-	-	-	668	LV061010000 075	2
	Decalco nero/argento Laverda	Sticker black/silver Laverda	-	-	-	668	LV061010000 076	2
24	Decalco bianco	White decal	-	-	-	668	LV061010000 074	2
	Decalco nero/argento	Sticker black/silver	-	-	-	668	LV061010000 073	2
25	Decalco argento/nero Laverda	Stic.silver/black Laverda	-	-	-	-	LV061010000 072	3
	Decalco bianco Laverda	White decal Laverda	-	-	-	-	LV061010000 071	3
26	Decalco bianco Diamante	White decal Diamante	-	-	-	DIA	LV061010000 097	2
	Decalco nero Diamante	Stic.black Diamante	-	-	-	DIA	LV061010000 096	2
27	Semicarena dx rosso	RH Fairing section, red	-	-	-	DIA red	LV061A0900 0198	1



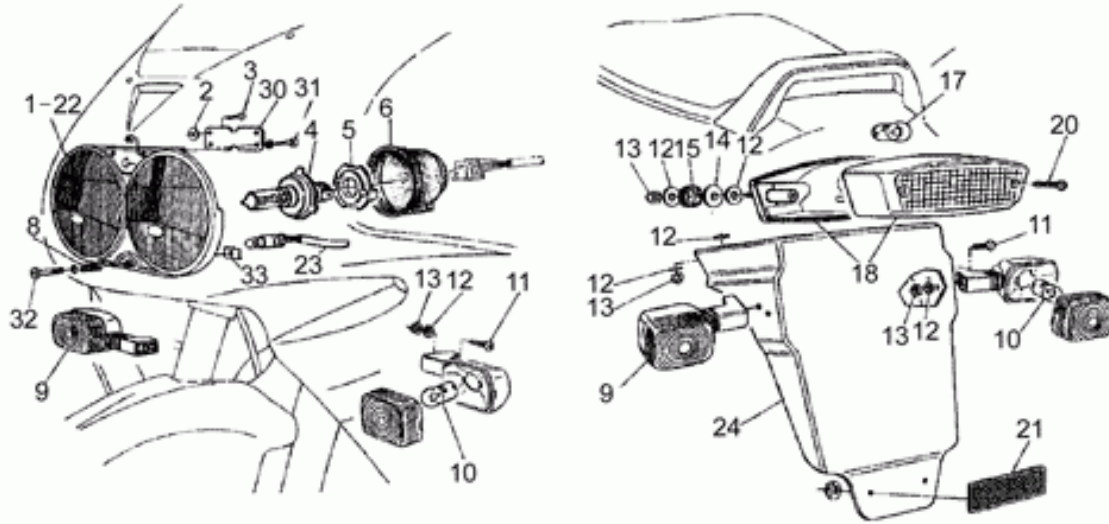
Ref.	Descrizione	Description	Year	I.M.	Country	Version	Code	Qty
27	Semicarena dx giallo	RH Fairing section, yellow	-	-	-	DIA yell	LV061D0900 0198	1
28	Semicarena sx rosso	LH Fairing section, red	-	-	-	DIA red	LV061A0900 0199	1
	Semicarena sx giallo	LH Fairing section, yellow	-	-	-	DIA yell	LV061D0900 0199	1
29	Vite TCBEI M5X16	Screw TCBEI M5X16	-	-	-	-	LV030010000 031	8
30	Rosetta Nylon 5,3X10X1	Washer Nylon 5,3X10X1	-	-	-	-	LV033001000 002	8
31	Rosetta 5,3X10X1	Washer 5,3X10X1	-	-	-	-	LV033001V1 0710	8
32	Dado autobloc. B/M5	Self-locking nut B/M5	-	-	-	-	LV030005V3 2103	8
33	Vite TCBEI M5X16	Screw TCBEI M5X16	-	-	-	-	LV030010000 031	6
34	Rosetta Nylon 5,3X10X1	Washer Nylon 5,3X10X1	-	-	-	-	LV033001000 002	6
35	Vite TCBEI M6X35	Screw TCBEI M6X35	-	-	-	-	LV030010000 013	2
36	Rosetta in nylon 6,25X12X1,5	Nylon washer 6,25X12X1,5	-	-	-	-	LV033001V1 1199	2
37	Vite TCEI M6X25	Screw TCEI M6X25	-	-	-	-	LV030010000 011	2
38	Vite TCBEI M6X16	Screw TCBEI M6X16	-	-	-	-	LV030010000 008	4
39	Vite TCBEI M6X16	Screw TCBEI M6X16	-	-	-	-	LV030010000 008	2
40	Decalco Laverda	Decal Laverda	-	-	-	DIA	LV061010000 092	2
	Decalco nero/argento Laverda	Sticker black/silver Laverda	-	-	-	DIA	LV061010000 091	2
41	Vite TC M5X60	Screw TC M5X60	-	-	-	-	LV030003V1 8193	1
50	Carena cpl.rosso	Fairing assy, red	-	-	-	668 red	LV019001000 044A	1
	Carena cpl.giallo	Fairing assy, yellow	-	-	-	668 yell	LV019001000 044D	1
	Carena cpl.rosso	Fairing assy, red	-	-	-	DIA red	LV019001000 045A	1
	Carena cpl.giallo	Fairing assy, yellow	-	-	-	DIA yell	LV019001000 045D	1



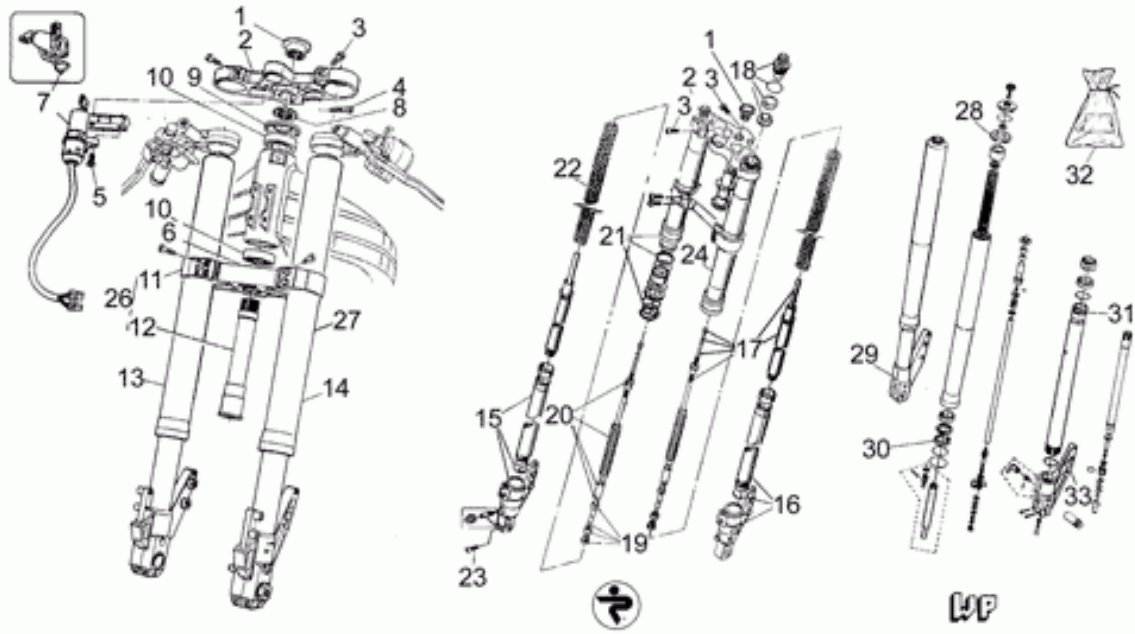
Ref.	Descrizione	Description	Year	I.M.	Country	Version	Code	Qty
53	Protezione cavo dx	RH cable protection	-	-	-	DIA	LV061009000 178	1
54	Protezione cavo sx	LH cable protection	-	-	-	DIA	LV061009000 179	1
55	Vite TCBEI M5X16	Screw TCBEI M5X16	-	-	-	DIA	LV030010000 031	4
61	Specchio dx	RH rearview mirror	-	-	-	-	LV061009000 114	1
62	Specchio sx	LH rearview mirror	-	-	-	-	LV061009000 113	1
70	Gommino	Rubber spacer	-	-	-	-	LV050003000 025	2
81	Vaschetta benzina	Fuel chamber	-	-	-	-	LV061009000 080	1
83	Maniglia post.	Rear handle	-	-	-	-	LV061009000 121E	1
86	Gommino	Rubber spacer	-	-	-	-	LV050003000 019	1
89	Gommino	Rubber spacer	-	-	-	668	LV005001V0 0055	1
96	Vite autof. 2,9X13	Self-tap screw 2,9X13	-	-	-	-	LV030004V9 0745	2
97	Piastrina DM2	Plate DM2	-	-	-	-	LV050005V0 1002	2
99	Trousse attrezzi	Toolkit	-	-	-	-	LV061008000 003	1



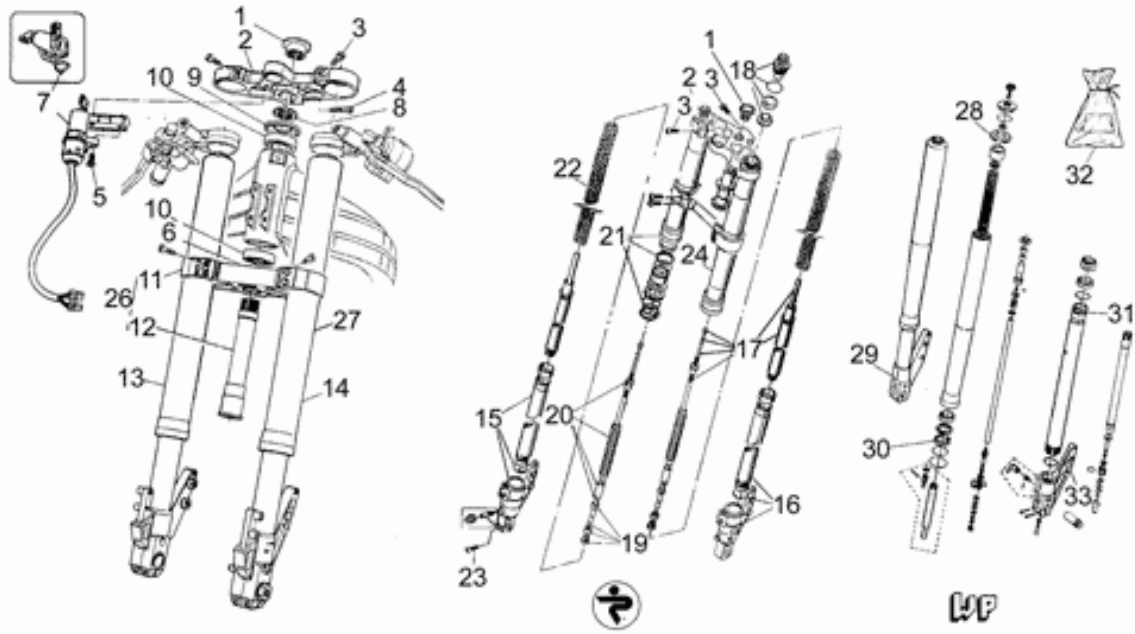
Ref.	Descrizione	Description	Year	I.M.	Country	Version	Code	Qty
1	Fanale ant.	Headlight	-	-	-	-	LV076001000 033Y	1
2	Rosetta in gomma	Rubber washer	-	-	-	-	LV055001000 066	2
3	Vite M5X25	Screw M5X25	-	-	-	668	LV030003V6 8273	2
4	Lampadina 12V 60/55W H4	Lamp 12V 60/55W H4	-	-	-	-	LV076001V0 4016	2
5	Portalampada	Lampholder	-	-	-	-	LV076001000 030	2
6	Cuffia	Guard	-	-	-	-	LV076001000 031	2
8	Molla registro fanale	Headlight adjuster spring	-	-	-	-	LV050001000 034	1
9	Indicatore dire.ant.	Front turn indicator	-	-	-	-	LV076001000 025	4
10	Lampadina 12V-10W	Lamp 12V-10W	-	-	-	-	LV076001V0 4249	4
11	Vite TCBEI M6X16	Screw TCBEI M6X16	-	-	-	-	LV030010000 008	8
12	Rosetta 6,4X16X1	Washer 6,4X16X1	-	-	-	-	LV033001V1 1050	8
13	Dado autobloc. M6	Self-locking nut M6	-	-	-	-	LV030005V3 2123	4
14	Bussola	Bush	-	-	-	-	LV021006V0 1296	2
15	Passacavo	Fairlead	-	-	-	-	LV058002V0 0102	2
17	Lampadina 12V 5/21W	Lamp 12V 5/21W	-	-	-	-	LV076001V0 4969	1
18	Fanale post.	Taillight	-	-	-	-	LV076001000 003	1
20	Vite	Screw	-	-	-	-	LV030011000 023	2
21	Catadiottro	Reflector	-	-	-	-	LV071003000 003	1
22	Fanale ant.c/o guida sx	Cpl headlightsteering headligh	-	-	-	-	LV076001000 034Y	1
23	Lampadina 12V 5W	Lamp 12V 5W	-	-	-	-	LV076001000 026	1
24	Portatarga	Number plate holder	-	-	-	-	LV061009000 065	1



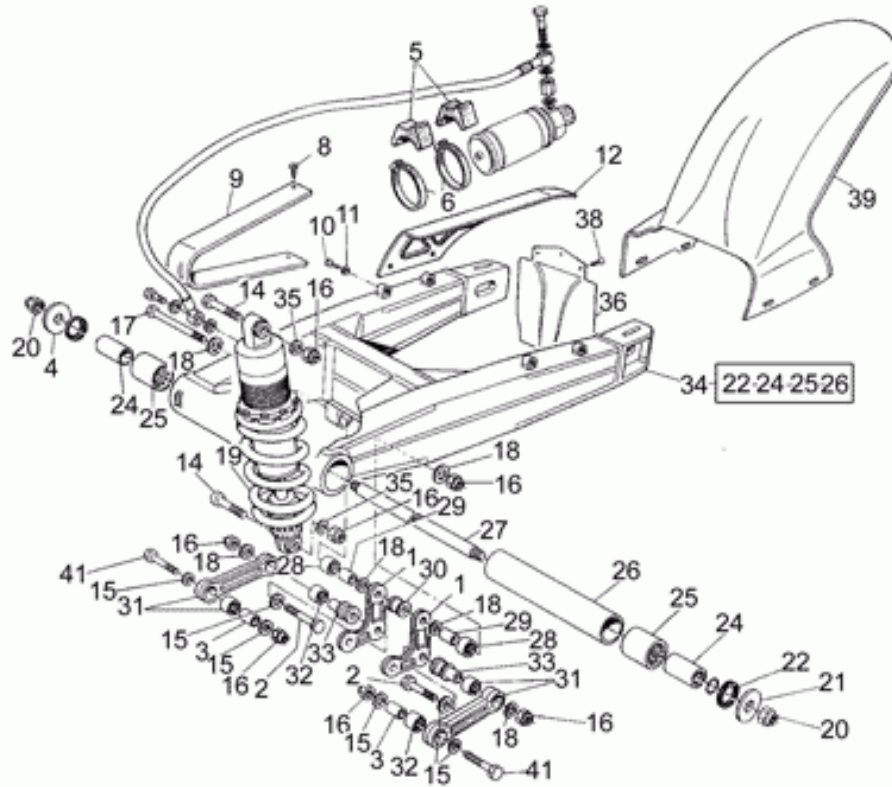
Ref.	Descrizione	Description	Year	I.M.	Country	Version	Code	Qty
30	Piastrina	Plate	-	-	-	668	LV033002000 050	1
31	Vite TCBEI M5X16	Screw TCBEI M5X16	-	-	-	-	LV030010000 031	2
32	Vite TC M5X60	Screw TC M5X60	-	-	-	-	LV030003V1 8193	1
33	Piastrina	Plate	-	-	-	-	LV033002000 051	1



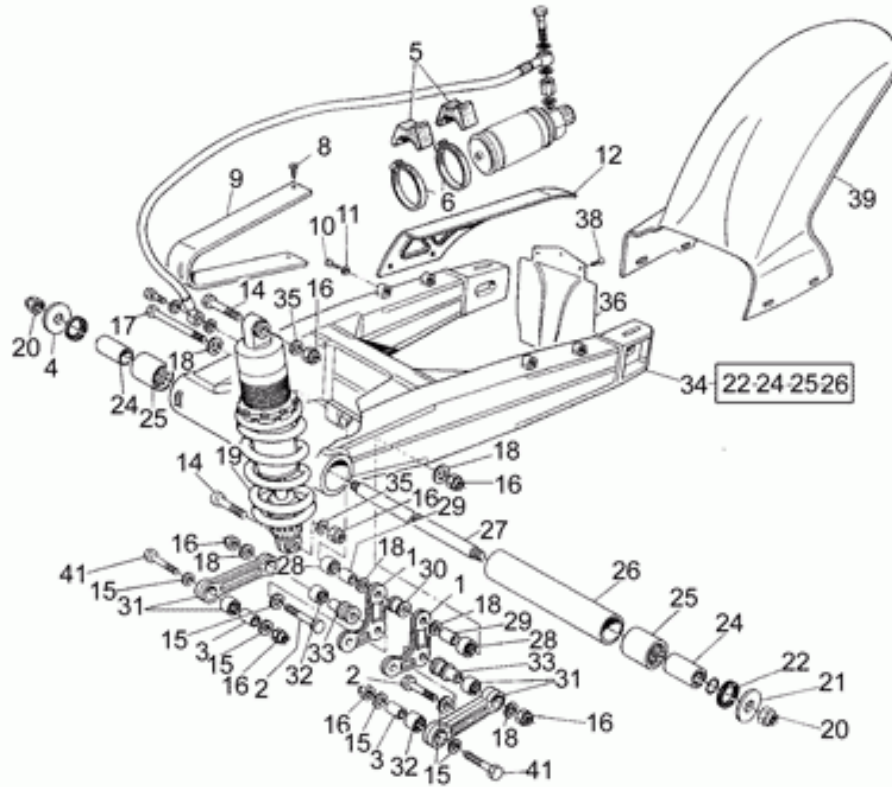
Ref.	Descrizione	Description	Year	I.M.	Country	Version	Code	Qty
1	Tappo canotto	Plug	-	-	-	-	LV030016000 026	1
	Tappo canotto	Plug	-	-	-	668-T1	LV030016000 018	1
2	Piastra sup.forcella nero	Fork head black	-	-	-	-	LV060002000 065	1
	Piastra sup.forcella	Fork upper plate	-	-	-	668-T1	LV060002000 062	1
3	Vite TCEI M8X35	Hex socket screw M8X35	-	-	-	-	LV030007000 071	3
	Vite TCEI M8X35	Screw TCEI M8X35	-	-	-	668	LV030003V6 3143	6
4	Vite TCBEI M8X40	Screw TCBEI M8X40	-	-	-	668	LV030010000 022	1
5	Vite a strappo M8X18	Shear rivet M8X18	-	-	-	-	LV030004V9 0129	2
6	Rosetta	Washer	-	-	-	-	LV033002V7 0004	1
7	Kit serrature	Lock hardware kit	-	-	-	-	LV061009000 107	1
8	Ghiera M25X1	Ring nut M25X1	-	-	-	-	LV030020000 009	1
	Ghiera KM6	Ring nut KM6	-	-	-	668-T1	LV030020000 007	1
9	Rosetta	Washer	-	-	-	T1	LV058001V0 0329	1
10	Cuscinetto a rulli 25X52X16,25	Roller bearing 25X52X16,25	-	-	-	T1	LV022002V0 8251	2
11	Piastra inf.forcella	Lower fork plate	-	-	-	668-T1	LV060002000 061	1
12	Canotto	Post	-	-	-	668-T1	LV060002000 060	1
13	Stelo dx cpl.	RH hub cpl.	-	-	-	-	LV060002000 080	1
	Stelo dx cpl.	RH hub cpl.	-	-	-	668	LV060002000 056	1
14	Stelo sx cpl.	LH hub cpl.	-	-	-	-	LV060002000 081	1
	Stelo sx cpl.	LH hub cpl.	-	-	-	668	LV060002000 057	1
15	Stelo dx cpl.	RH hub cpl.	-	-	-	-	LV060002000 073	1



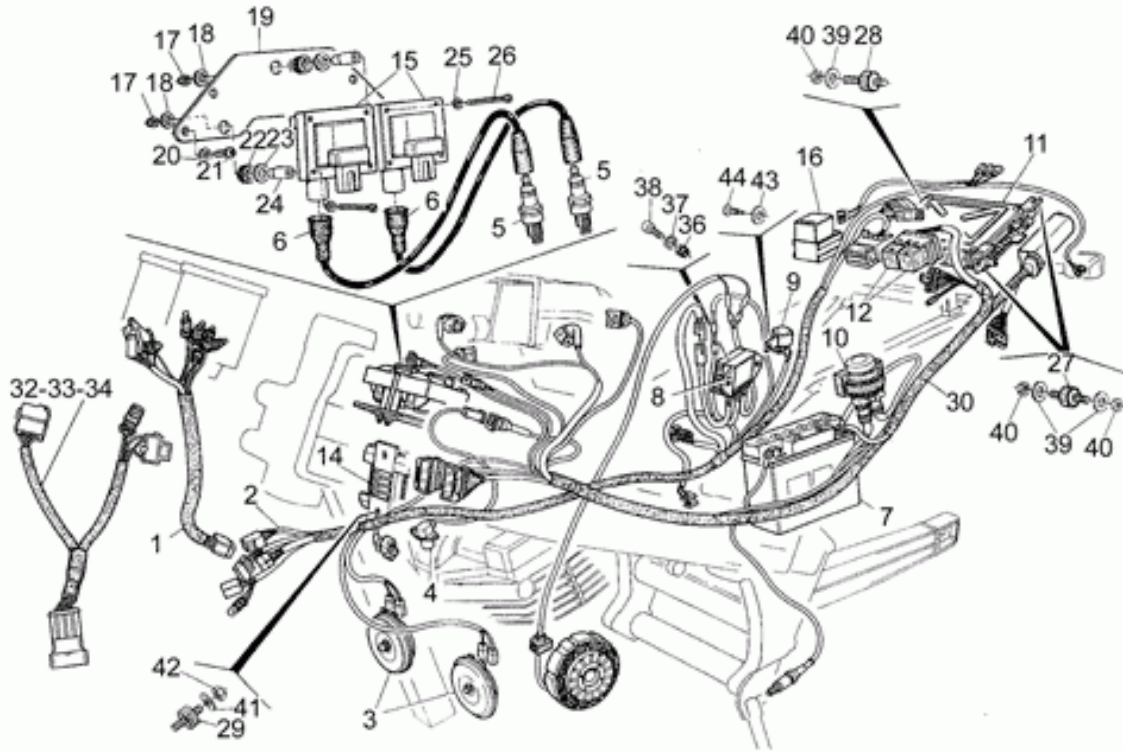
Ref.	Descrizione	Description	Year	I.M.	Country	Version	Code	Qty
16	Stelo sx cpl.	LH hub cpl.	-	-	-	-	LV060002000 074	1
17	Pompante cpl.	Plunger, complete	-	-	-	-	LV060002000 075	2
18	Tappo canotto	Plug	-	-	-	-	LV060002000 076	2
19	Tampone fine corsa	End stop	-	-	-	-	LV060002000 077	2
20	Tubo guida molla	Spring guide tube	-	-	-	-	LV060002000 078	2
21	Kit paraolio dx	RH Engine oil seal kit	-	-	-	-	LV055002000 036	2
22	Molla	Spring	-	-	-	-	LV050001000 035	2
23	Vite TCEI M8X30	Screw TCEI M8X30	-	-	-	-	LV030007000 069	2
24	Fodero	Sleeve	-	-	-	-	LV060002000 079	2
26	Piastra inf.forcella nero	Lower fork plate, black	-	-	-	-	LV060002000 072	1
	Piastra inf.forcella	Lower fork plate	-	-	-	668-T1	LV060002000 068	1
27	Forcella PAIOLI	Front fork PAIOLI	-	-	-	-	LV060002000 069	1
	Forcella ant. WP	Front fork WP	-	-	-	668	LV060002000 007	1
28	Semianello	Half ring	-	-	-	668	LV050002000 021	4
29	Stelo+portaruota dx	Hub+RH fork leg	-	-	-	668	LV060002000 047	1
30	Paraolio	Oil seal	-	-	-	668	LV055002000 030	2
31	Stelo	Sleeve	-	-	-	668	LV060002000 058	2
32	Kit revisione forcella	Front fork revision kit	-	-	-	668	LV060002000 055	1
33	Portaruota sx	LH wheel carrier	-	-	-	668	LV060002000 046	1



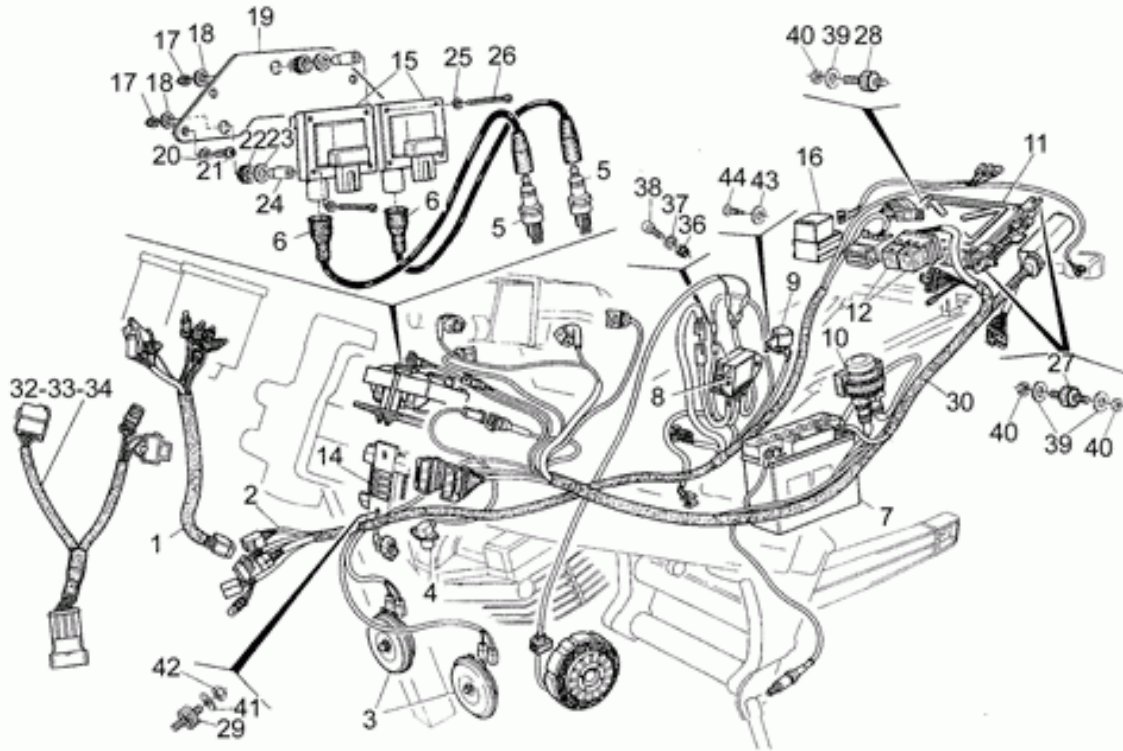
Ref.	Descrizione	Description	Year	I.M.	Country	Version	Code	Qty
1	Leva	Lever	-	-	-	-	LV043002000 018	2
2	Vite TE M10X60	Screw TE M10X60	-	-	-	-	LV030002V1 4203	2
3	Bussola	Bush	-	-	-	-	LV021003000 022	2
4	Rosetta	Washer	-	-	-	668	LV033001000 034	1
5	Tappo	Plug	-	-	-	-	LV055004000 019	2
6	Fascetta 260X9	Hose clamp 260X9	-	-	-	-	LV037001000 021	2
8	Vite TSPEI M6X20	Screw M6X20	-	-	-	-	LV030003V8 2063	2
9	Pattino guidacatena	Chain guide plate	-	-	-	-	LV031003000 007	1
10	Vite TCBEI M6X12	Screw TCBEI M6X12	-	-	-	DIA	LV030010000 007	4
11	Rosetta elastica 6 mm	Spring washer 6 mm	-	-	-	DIA	LV033001000 013	4
12	Pattino guidacatena	Chain guide plate	-	-	-	668	LV061007000 025	1
14	Vite TE M10X55	Hex screw M10X55	-	-	-	-	LV030002V1 4193	2
15	Rosetta 1,5X21X2	Washer 1,5X21X2	-	-	-	-	LV033001V1 3050	10
16	Dado autobloc. M10	Self-locking nut M10	-	-	-	-	LV030005V3 0203	7
17	Vite TE M10X120	Hex screw M10X120	-	-	-	-	LV030001000 035	1
18	Rosetta 10X23X2,6	Washer 10X23X2,6	-	-	-	-	LV033001000 038	6
19	Ammortizzatore PAIOLI	Shock absorber PAIOLI	-	-	-	-	LV060005000 012	1
	Ammortizzatore WP	Shock absorber WP	-	-	-	-	LV060005000 006	1
20	Dado autobloc. M14X1,5	Self-locking nut M14X1,5	-	-	-	-	LV030015000 014	2
21	Rosetta 14,5X27X2	Washer 14,5X27X2	-	-	-	668	LV033001V1 4140	1
22	Paraolio 25/32X4	Oil seal 25/32X4	-	-	-	-	LV055002000 022	2



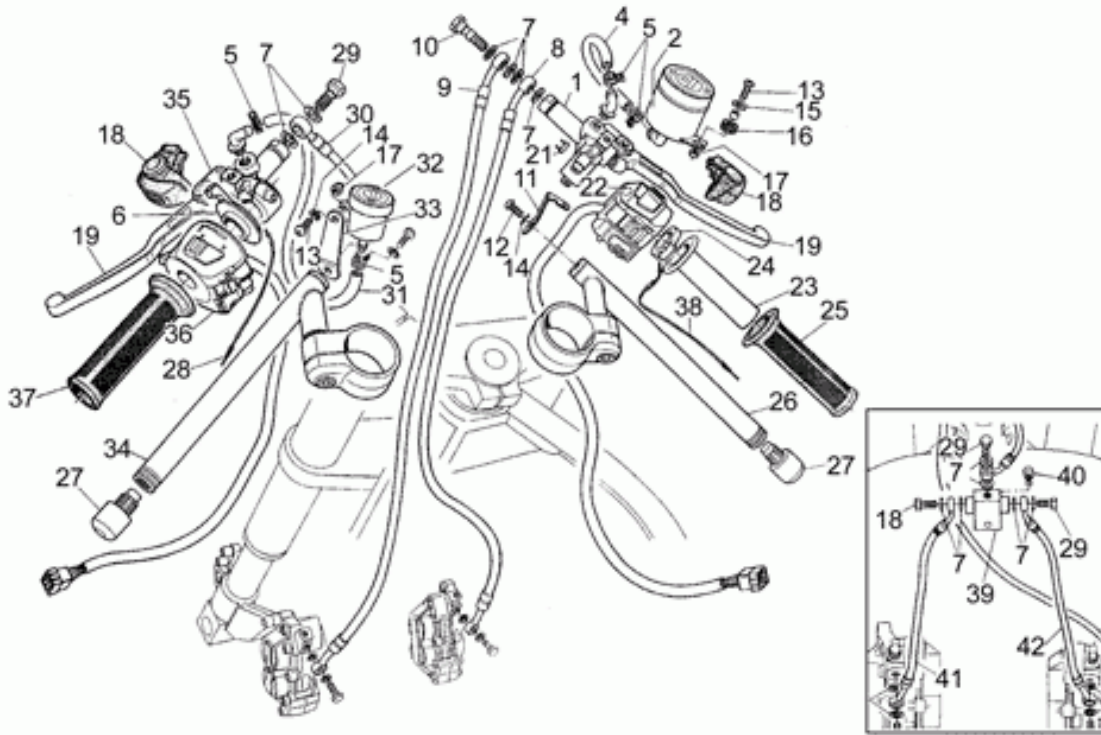
Ref.	Descrizione	Description	Year	I.M.	Country	Version	Code	Qty
24	Distanziale	Spacer	-	-	-	-	LV034003000 040	2
25	Astuccio a rullini 25X32X38	Needle bearing 25X32X38	-	-	-	-	LV022008000 014	2
26	Distanziale int.	Internal spacer	-	-	-	-	LV034003000 039	1
27	Perno forcellone	Rear swing arm pin	-	-	-	-	LV034002000 027	1
28	Astuccio a rullini 22X16X14	Needle bearing 22X16X14	-	-	-	-	LV022008000 013	4
29	Distanziale bielletta	Connecting rod spacer	-	-	-	-	LV034003000 053	2
30	Distanziale	Spacer	-	-	-	-	LV034003000 042	1
31	Bielletta e ammortizzatore	Connecting rod and shock absorber	-	-	-	-	LV043001000 011	2
32	Astuccio a rullini 22X16X16	Needle bearing 22X16X16	-	-	-	-	LV022008000 012	4
33	Alberino	Shaft pin	-	-	-	-	LV034003000 054	2
34	Forcellone	Swing arm	-	-	-	668	LV060003000 053W	1
	Forcellone	Swing arm	-	-	-	DIA	LV060003000 050W	1
35	Rosetta 10,5X24X1	Washer 10,5X24X1	-	-	-	-	LV033001V1 3310	2
36	Paraspruzzi	Splash guard	-	-	-	-	LV061009000 184	1
38	Vite autof. 4,2X13	Self-tap screw 4,2X13	-	-	-	-	LV030004V9 0739	3
39	Copri ruota	Wheel cap	-	-	-	DIA	LV003006000 024	1
41	Vite TE M10X50	Screw TE M10X50	-	-	-	-	LV030002V1 4183	2



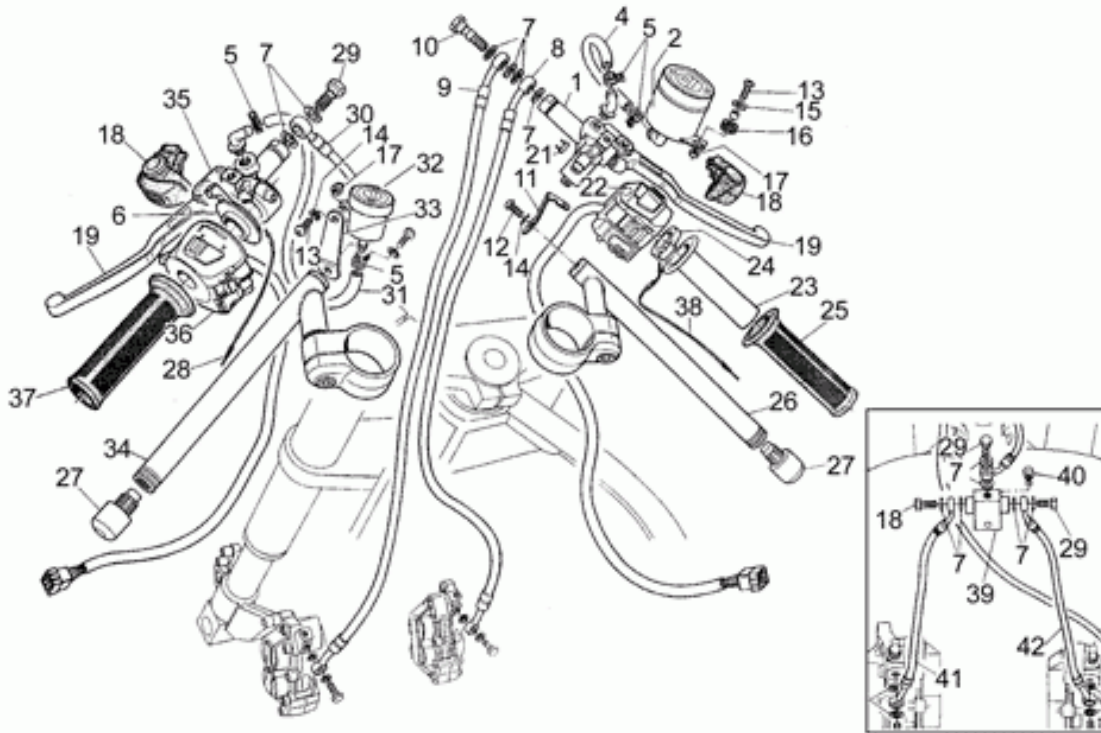
Ref.	Descrizione	Description	Year	I.M.	Country	Version	Code	Qty
1	Cablaggio cruscotto	Dashboard cable	-	-	-	-	LV071001000 053	1
2	Cablaggio principale	Main wiring harness	-	-	-	-	LV071001000 052	1
3	Claxon	Horn	-	-	-	DIA	LV076005000 002	2
4	Sensore SEN 8K	Sensor SEN 8K	-	-	-	-	LV077003000 009	1
5	Candela RA4HC	Spark plug RA4HC	-	-	-	-	LV073002000 008	2
6	Pipetta candela	Sparkplug cap	-	-	-	-	LV073002000 007	2
7	Batteria 12V 18AH	Battery 12V 18AH	-	-	-	-	LV072004000 005	1
8	Regolatore di tensione	Voltage regulator	-	-	-	-	LV073003000 022	1
9	Intermittenza	Flasher unit	-	-	-	-	LV071003V1 6105	1
10	Rele'	Relay	-	-	-	-	LV073005000 006	1
11	Centralina iniezione	Injection control unit	-	-	-	-	LV077003000 001	1
12	Relè con fusibile	Relay with fuse	-	-	-	-	LV073001000 005	2
14	Centralina accensione CDI	CDI unit assy	-	-	-	-	LV077003000 007	1
15	Bobina A.T.	HT coil	-	-	-	-	LV077003000 008	2
16	Rele'	Relay	-	-	-	-	LV073001000 006	1
17	Dado autobloc. B/M4	Self-locking nut B/M4	-	-	-	-	LV030005V3 0083	4
18	Rosetta 4,3X16X1,5	Washer 4,3X16X1,5	-	-	-	-	LV033001V1 0041	4
19	Supporto bobina	Coil holder	-	-	-	668	LV060001000 136Y	1
20	Rosetta elastica 6 mm	Spring washer 6 mm	-	-	-	668	LV033001000 013	4
21	Vite TCBEI M6X16	Screw TCBEI M6X16	-	-	-	668	LV030010000 008	4
22	Passacavo	Fairlead	-	-	-	-	LV058002V0 0193	4



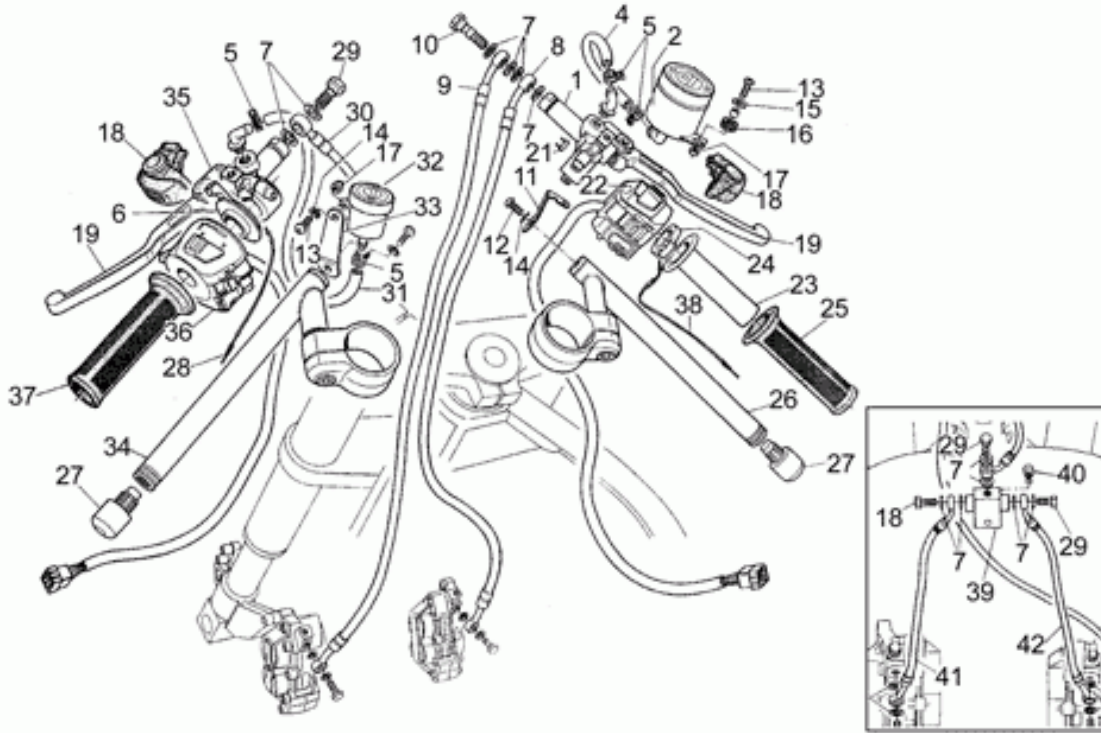
Ref.	Descrizione	Description	Year	I.M.	Country	Version	Code	Qty
23	Rosetta 8,4X17X1,6	Washer 8,4X17X1,6	-	-	-	-	LV033001V1 2080	4
24	Distanziale	Spacer	-	-	-	-	LV034001000 015	4
25	Rosetta 4,3X16X1,5	Washer 4,3X16X1,5	-	-	-	-	LV033001V1 0041	4
26	Vite TC M4X60	Special cap screw M4X60	-	-	-	-	LV030005000 004	4
27	Silent block 20X10-6X16	Silent-block 20X10-6X16	-	-	-	-	LV050003000 015	2
28	Silent block 10X28X27	Silent-block 10X28X27	-	-	-	-	LV050003000 024	1
29	Silent block 20X10	Silent-block 20X10	-	-	-	668	LV050003000 006	2
	Silent block 10X28X27	Silent-block 10X28X27	-	-	-	DIA	LV050003000 024	1
30	Cablaggio iniezione	Injection wiring	-	-	-	-	LV071001000 057	1
32	Cablaggio fanale ant.	Headlight wiring w/harness	-	-	-	-	LV071001000 054	1
33	Cablaggio fanale ant.guida sx	Headlight wiring headligh	-	-	-	-	LV071001000 055	1
34	Cablaggio rele'-motore	Relay-motor cable	-	-	-	-	LV071001000 056	1
36	Dado a graffetta M6	Nut with clip M6	-	-	-	-	LV030016000 003	2
37	Rosetta elastica 6 mm	Spring washer 6 mm	-	-	-	-	LV033001000 013	2
38	Vite TCEI M6X16	Screw TCEI M6X16	-	-	-	-	LV030003V6 2063	2
39	Rosetta 6,5X18X1,5	Washer 6,5X18X1,5	-	-	-	-	LV033001V1 1060	5
40	Dado M6	Nut M6	-	-	-	-	LV030005V1 1129	5
41	Rosetta dentellata d.6	Notched washer d.6	-	-	-	-	LV033001V3 1006	2
42	Dado M6	Nut M6	-	-	-	-	LV030005V1 0123	2
43	Rosetta 6,4X12,5X1,6	Washer 6,4X12,5X1,6	-	-	-	-	LV033001V1 1010	1
44	Vite TCBEI M6X10	Screw TCBEI M6X10	-	-	-	-	LV030010000 006	1



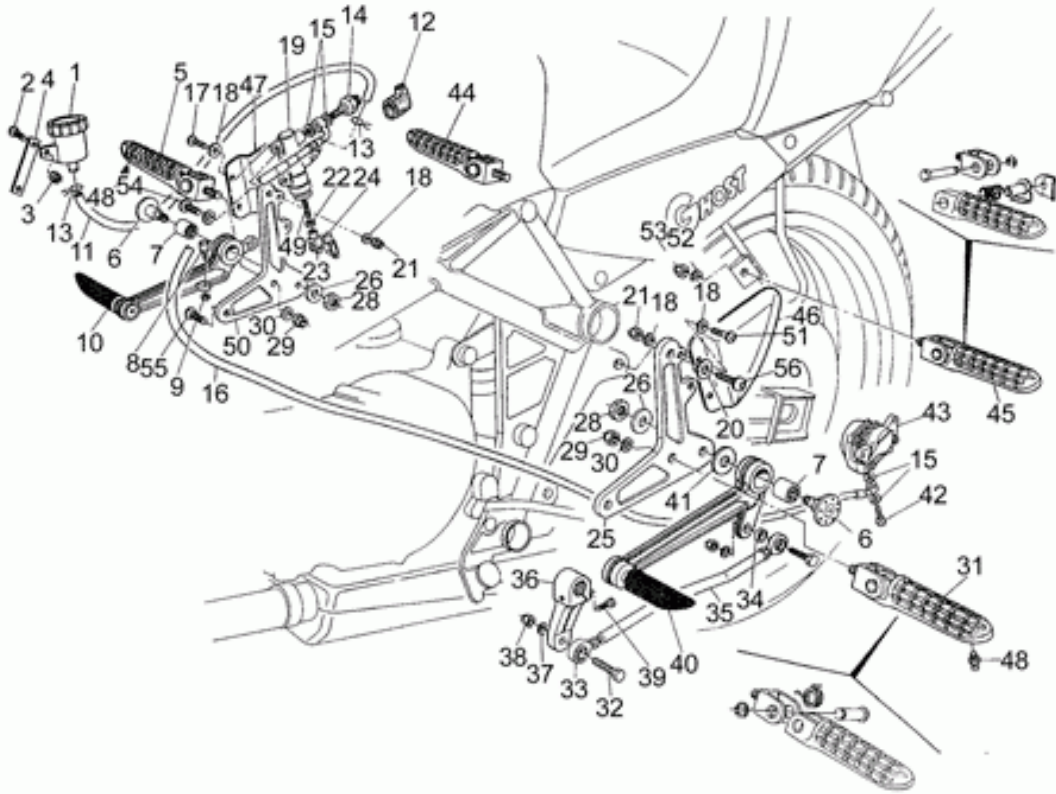
Ref.	Descrizione	Description	Year	I.M.	Country	Version	Code	Qty
1	Pompa freno ant.	Front brake pump	-	-	-	-	LV047002000 046	1
2	Serbatoio olio freni	Brake oil tank	-	-	-	-	LV047002000 051	1
4	Tubo olio freno 5/9 mm	Brake fluid line 5/9 mm	-	-	-	-	LV002006000 037	1
5	Fascetta stringitubo CE 08	Hose clamp CE 08	-	-	-	-	LV037001V2 4600	4
6	Comando starter	Choke control	-	-	-	-	LV060004000 027	1
7	Rosetta in rame 10,2X14X1,5	Copper washer 10,2X14X1,5	-	-	-	DIA	LV033001000 031	16
8	Tubo freno ant.dx	Front RH brake pipe	-	-	-	668	LV047003000 019	1
9	Tubo freno ant.	Front brake pipe	-	-	-	668	LV047003000 018	1
10	Raccordo tubo olio	Oil hose union	-	-	-	668	LV030011000 021	1
11	Staffa supporto serbatoio	Tank support bracket	-	-	-	-	LV021001000 119	1
12	Vite TCBEI M6X12	Screw TCBEI M6X12	-	-	-	-	LV030010000 007	1
13	Vite TCBEI M6X12	Screw TCBEI M6X12	-	-	-	-	LV030010000 007	2
14	Rosetta elastica 6 mm	Spring washer 6 mm	-	-	-	-	LV033001000 013	2
15	Rosetta 6,4X16X1	Washer 6,4X16X1	-	-	-	-	LV033001V1 1050	1
16	Passacavo	Fairlead	-	-	-	-	LV058002V0 0193	1
17	Dado autobloc. M6	Self-locking nut M6	-	-	-	-	LV030005V3 2123	2
18	Gommino per leva	Lever rubber	-	-	-	-	LV055003000 010	2
19	Leva	Lever	-	-	-	-	LV043002000 020	2
21	Interruttore stop	Brake light switch	-	-	-	-	LV071003000 011	1
22	Devioluci dx con cablaggio	RH lights sel. w/wiring	-	-	-	-	LV060004000 038	1
23	Tubo gas s.za manopola	Throttle pipe w/out hand grip	-	-	-	-	LV060004000 026	1



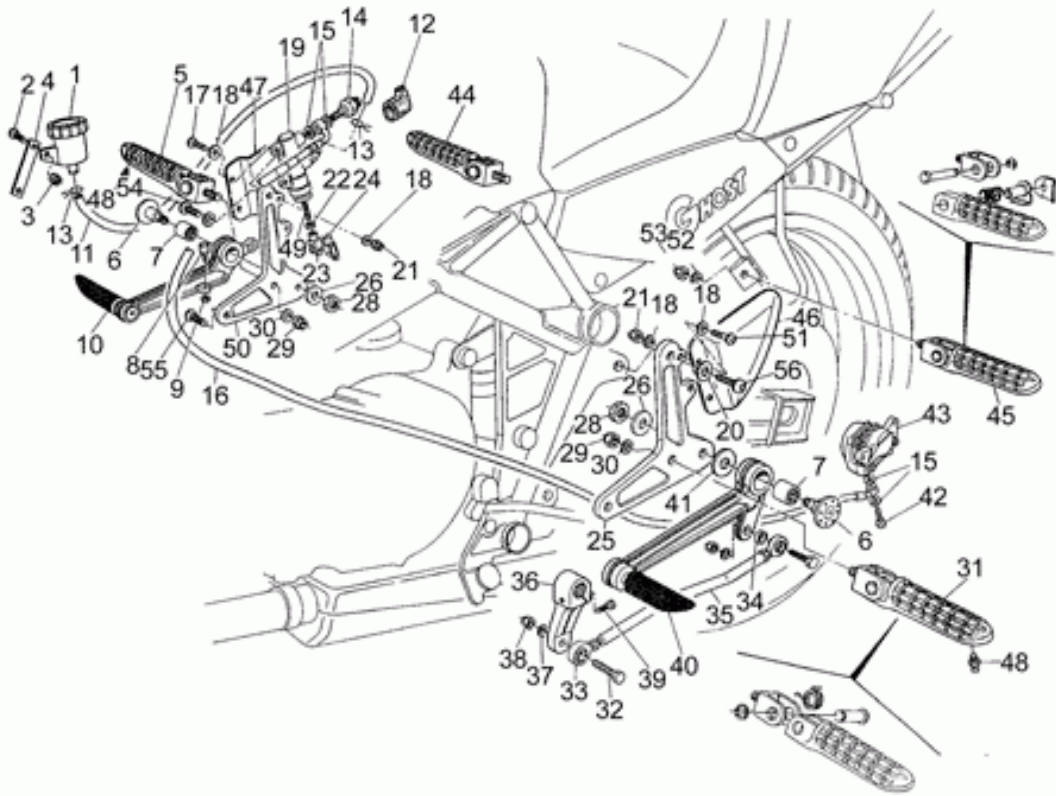
Ref.	Descrizione	Description	Year	I.M.	Country	Version	Code	Qty
24	Rosetta	Washer	-	-	-	-	LV060004000 028	1
25	Manopola dx	RH hand grip	-	-	-	-	LV060004000 024	1
26	Semimanubrio dx	Right half handlebar	-	-	-	-	LV060004000 036	1
	Semimanubrio dx	Right half handlebar	-	-	-	668	LV060004000 032	1
27	Peso antivibrante manubrio	H.bars anti.v weight	-	-	-	-	LV060004000 029	2
28	Cavo starter	Choke cable	-	-	-	-	LV036001000 018	1
29	Raccordo tubo olio M10X1	Oil hose union M10X1	-	-	-	DIA	LV030011000 016	7
30	Tubo frizione	Clutch pipe	-	-	-	-	LV047003000 020	1
	Tubo frizione	Clutch pipe	-	-	-	DIA	LV047003000 025	1
31	Tubo olio freno 5/9 mm	Brake fluid line 5/9 mm	-	-	-	-	LV002006000 037	1
32	Serbatoio olio freni	Brake oil tank	-	-	-	-	LV047002000 050	1
33	Supporto serbatoio olio	Oil tank support	-	-	-	-	LV021001000 149	1
34	Semimanubrio sx	Left half handlebar	-	-	-	-	LV060004000 037	1
	Semimanubrio sx	Left half handlebar	-	-	-	668	LV060004000 033	1
35	Pompa frizione	Clutch pump	-	-	-	-	LV047002000 045	1
36	Devioluci sx con cablaggio	LH lights sel. w/wiring	-	-	-	-	LV060004000 039	1
37	Manopola sx	LH hand grip	-	-	-	-	LV060004000 025	1
38	Trasmissione comando gas	Gas lever transmission	-	-	-	-	LV036001000 019	1
39	Raccordo tubo M10X1	Connection M10X1	-	-	-	DIA	LV037002000 030	1
40	Vite TCEI M5X25	Hex socket screw M5X25	-	-	-	DIA	LV030003V6 8273	1
41	Tubo olio freno ant.sx	Front LH brake pipe	-	-	-	DIA	LV047003000 029	1



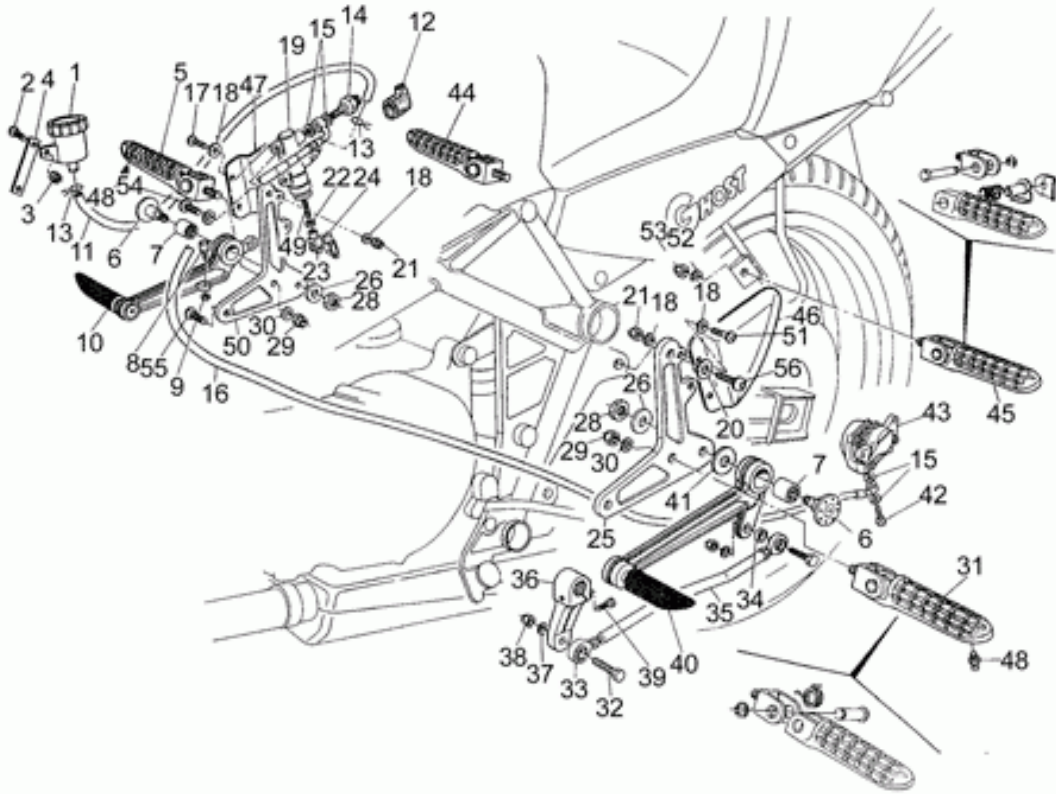
Ref.	Descrizione	Description	Year	I.M.	Country	Version	Code	Qty
42	Tubo olio freno ant.dx	Front RH brake line	-	-	-	DIA	LV047003000 028	1



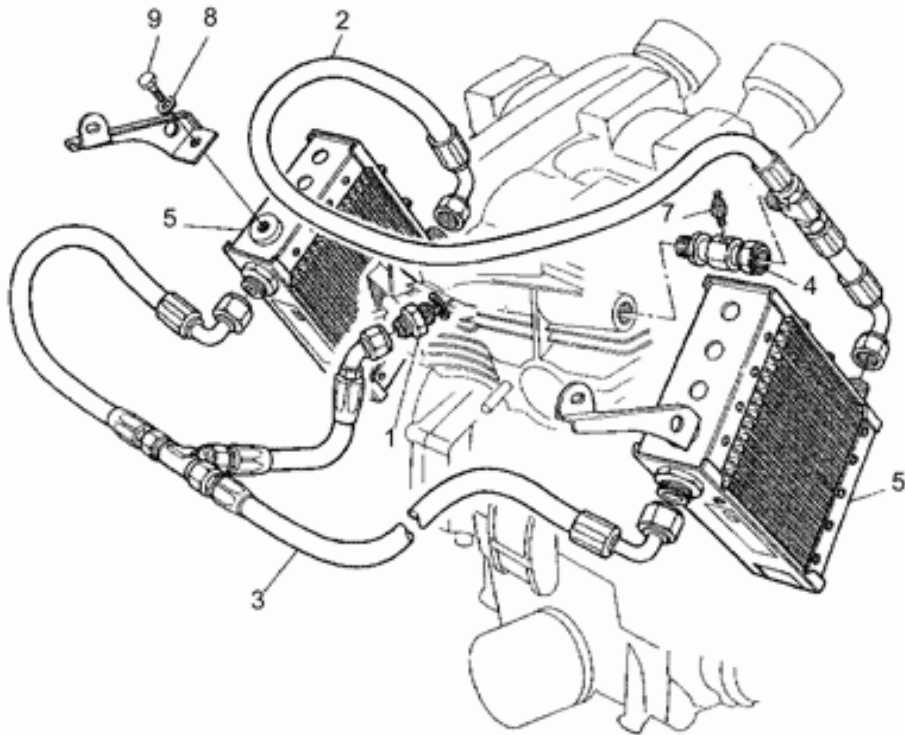
Ref.	Descrizione	Description	Year	I.M.	Country	Version	Code	Qty
1	Serbatoio olio freni	Brake oil tank	-	-	-	-	LV047002000 050	1
2	Vite TCBEI M6X12	Screw TCBEI M6X12	-	-	-	-	LV030010000 007	1
3	Dado M6	Nut M6	-	-	-	-	LV030005V3 2123	1
4	Staffa supporto serbatoio	Tank support bracket	-	-	-	-	LV021001000 196	1
5	Pedana ant.dx	Front RH footrest	-	-	-	-	LV061009000 162	1
6	Perno leva	Lever pin	-	-	-	-	LV034002000 023	2
7	Gabbia a rulli 15X21X16	Roller cage 15X21X16	-	-	-	-	LV022008000 011	2
8	Silent-block 15/10	Silent-block 15/10	-	-	-	-	LV050003000 014	1
9	Dado M4	Nut M4	-	-	-	-	LV030005V1 0083	1
10	Leva freno post.	Rear brake lever	-	-	-	-	LV043002000 021	1
11	Tubo olio freno 5/9 mm	Brake fluid line 5/9 mm	-	-	-	-	LV002006000 037	1
12	Cappuccio	Cap	-	-	-	-	LV058002V0 0105	1
13	Fascetta stringitubo CE 08	Hose clamp CE 08	-	-	-	-	LV037001V2 4600	2
14	Interruttore Idrostop	Switch Idrostop	-	-	-	-	LV071003000 012	1
15	Rosetta in rame 10,2X14X1,5	Copper washer 10,2X14X1,5	-	-	-	-	LV033001000 031	4
16	Tubo freno post.	Rear brake pipe	-	-	-	-	LV047003000 021	1
17	Vite TCBEI M6X30	Screw TCBEI M6X30	-	-	-	-	LV030010000 012	2
18	Rosetta 6,4X12,5X1,6	Washer 6,4X12,5X1,6	-	-	-	-	LV033001V1 1010	4
19	Pompa freno post.	Rear brake pump	-	-	-	-	LV047002000 047	1
20	Rosetta elastica d.8	Spring washer d.8	-	-	-	-	LV033001V2 0033	4
21	Dado autobloc. M6	Self-locking nut M6	-	-	-	-	LV030005V3 2123	4



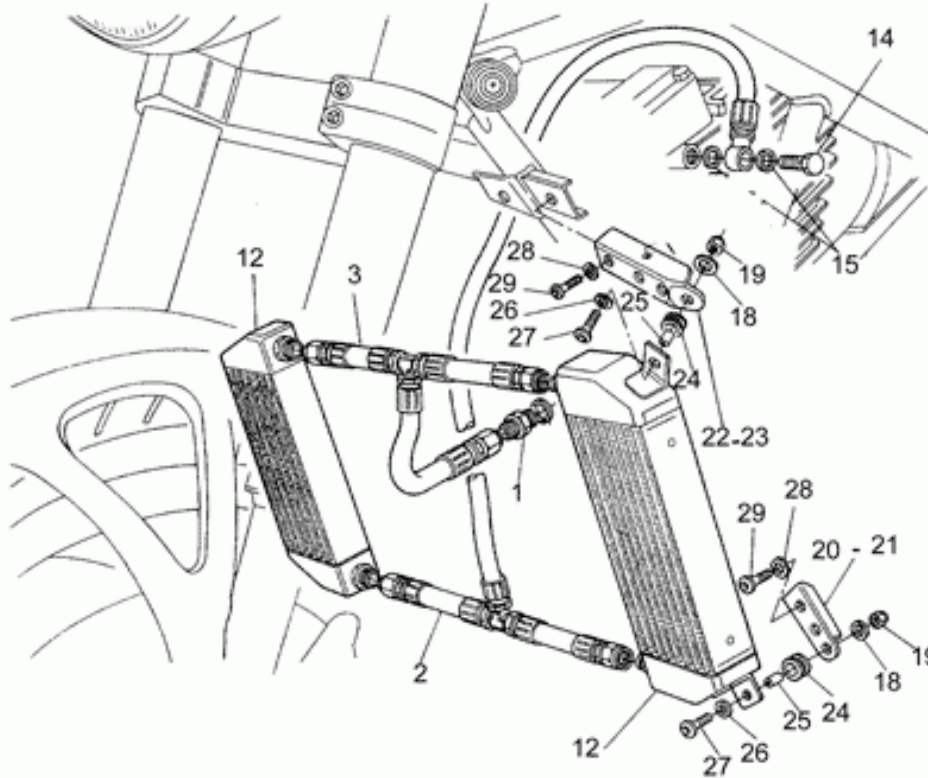
Ref.	Descrizione	Description	Year	I.M.	Country	Version	Code	Qty
22	Dado M6	Nut M6	-	-	-	-	LV030005V1 0123	1
23	Forcella M6X1	Front fork M6X1	-	-	-	-	LV043007V0 2016	1
24	Clip M6	Clip M6	-	-	-	-	LV043007V0 2017	1
25	Supporto pedana pilota sx	LH front footrest bracket	-	-	-	668	LV021001000 221	1
	Supporto leva cambio	Gear lever support	-	-	-	DIA	LV021001000 221E	1
26	Rosetta PS 10X16X0,5	Washer PS 10X16X0,5	-	-	-	-	LV033001V1 3091	2
28	Dado autobloc. M10X1,25	Self-locking nut M10X1,25	-	-	-	-	LV030005V3 3203	2
29	Dado autobloc. M10	Self-locking nut M10	-	-	-	-	LV030005V3 2203	2
30	Rosetta 10,5X24X1	Washer 10,5X24X1	-	-	-	-	LV033001V1 3310	2
31	Pedana ant.sx	LH front footrest	-	-	-	-	LV061009000 163	1
32	Vite TCBEI M6X30	Screw TCBEI M6X30	-	-	-	-	LV030010000 012	1
33	Snodo sferico	Ball joint	-	-	-	-	LV046001V0 1026	2
34	Distanziale	Spacer	-	-	-	-	LV034003000 055	1
35	Tirante	Tie rod	-	-	-	-	LV031001000 006	1
36	Bielletta	Connecting rod	-	-	-	-	LV043002000 019	1
37	Rosetta 6,4X12,5X1,6	Washer 6,4X12,5X1,6	-	-	-	-	LV033001V1 1010	1
38	Dado autobloc. M6	Self-locking nut M6	-	-	-	-	LV030005V3 2123	1
39	Vite TE M6X25	Screw TE M6X25	-	-	-	-	LV030002V3 2103	1
40	Leva cambio	Gear lever	-	-	-	-	LV043002000 022	1
41	Rosetta 10,5X24X1	Washer 10,5X24X1	-	-	-	-	LV033001V1 3310	2
42	Raccordo tubo olio M10X1	Oil hose union M10X1	-	-	-	-	LV030011000 016	1



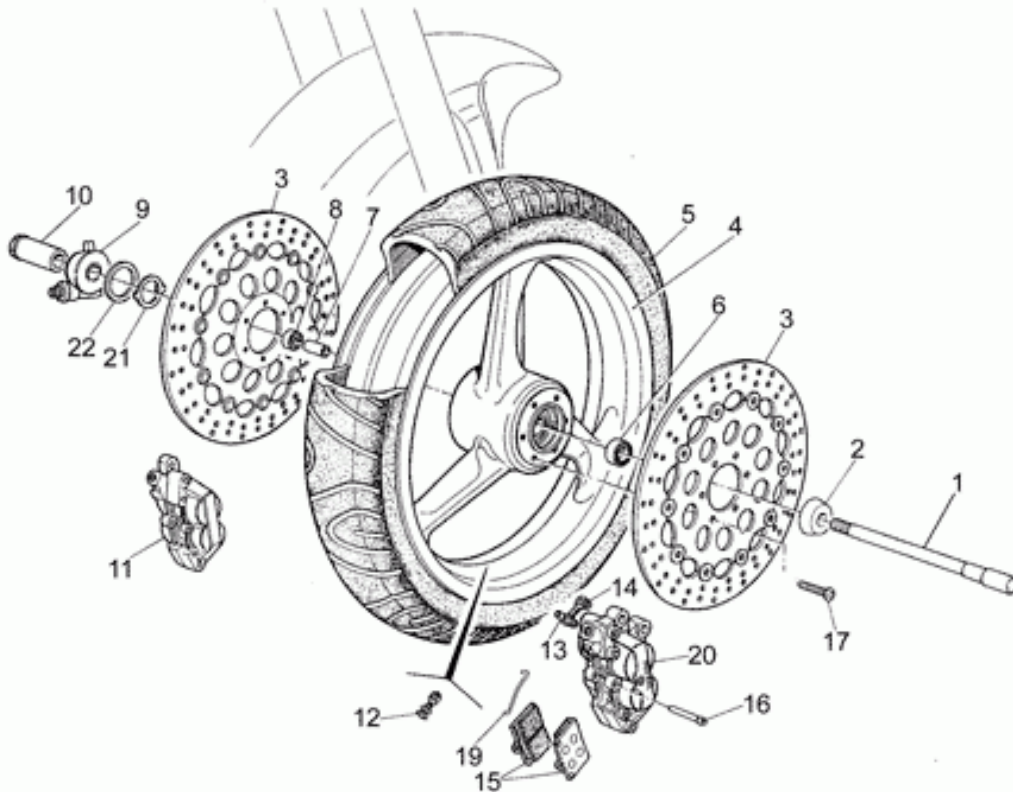
Ref.	Descrizione	Description	Year	I.M.	Country	Version	Code	Qty
43	Pinza freno post.	Rear brake caliper	-	-	-	-	LV047002000 044	1
44	Pedana pass.dx	Rear footrest, RH	-	-	-	-	LV061009000 123	1
45	Pedana pass.sx	Rear footrest, LH	-	-	-	-	LV061009000 124	1
46	Protezione pedana pass.sx	LH rear footrest guard	-	-	-	-	LV061009000 115	1
47	Protezione pedana pass.dx	RH rear footrest guard	-	-	-	-	LV061009000 112	1
48	Perno di strisciamento pedana	Footrest pin	-	-	-	-	LV030011000 020	2
49	Puntalino	Pawl	-	-	-	-	LV034002000 001	1
50	Supporto pedana pilota dx	RH front footrest bracket	-	-	-	668	LV021001000 220	1
	Supporto leva freno	Brake lever support	-	-	-	DIA	LV021001000 220E	1
51	Vite TCBEI M6X20	Screw TCBEI M6X20	-	-	-	-	LV030010000 010	2
52	Rosetta 1,5X21X2	Washer 1,5X21X2	-	-	-	-	LV033001V1 3050	2
53	Dado autobloc. M10	Self-locking nut M10	-	-	-	-	LV030005V3 0203	2
54	Vite TCBEI M8X25	Screw TCBEI M8X25	-	-	-	668	LV030010000 018	1
	Vite TCBEI M8X30	Screw TCBEI M8X30	-	-	-	DIA	LV030010000 019	1
55	Vite TCBEI M8X35	Screw TCBEI M8X35	-	-	-	-	LV030010000 020	1
56	Vite TCBEI M8X25	Screw TCBEI M8X25	-	-	-	-	LV030010000 018	2



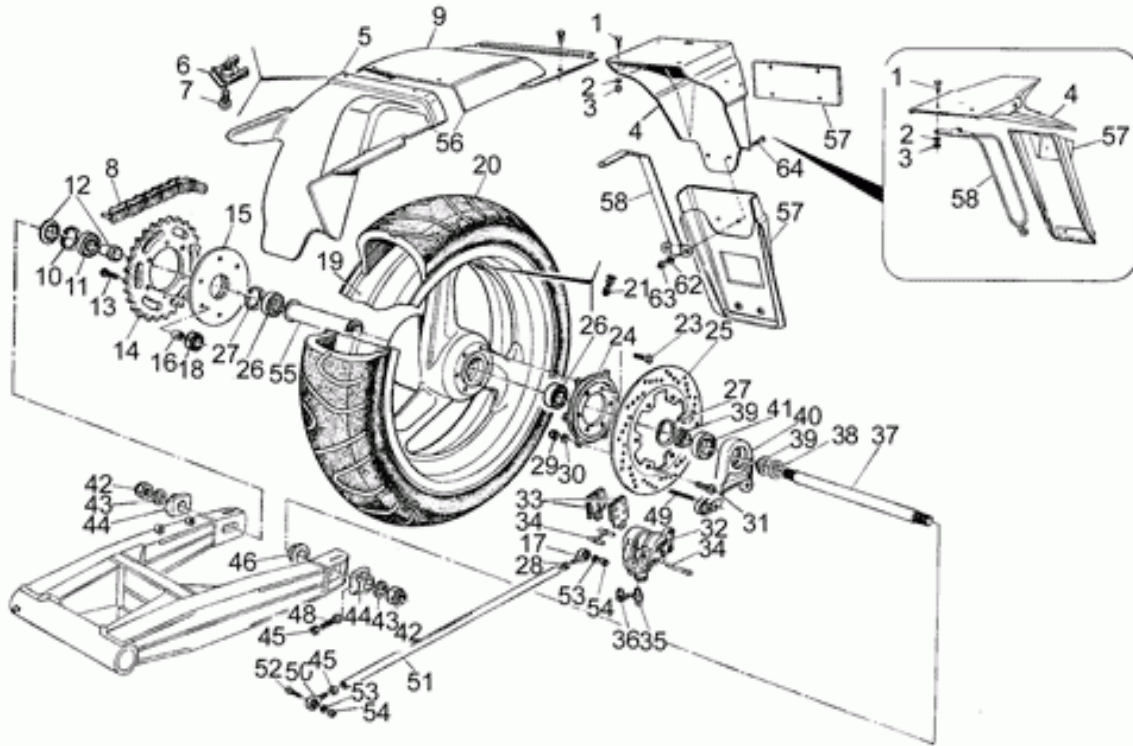
Ref.	Descrizione	Description	Year	I.M.	Country	Version	Code	Qty
1	Raccordo FBM 2052	Union FBM 2052	-	-	-	-	LV037002000 027	1
2	Tubo uscita olio	Oil outlet pipe	-	-	-	-	LV036002000 037	1
3	Tubo mandata olio	Pipe	-	-	-	-	LV036002000 036	1
4	Raccordo	Union	-	-	-	-	LV037002000 018	1
5	Radiatore olio	Oil cooler	-	-	-	-	LV061009000 083	2
7	Sensore temperatura	Temp. Sensor	-	-	-	-	LV071003000 009	1
8	Rosetta 6,5X18X1,5	Washer 6,5X18X1,5	-	-	-	-	LV033001V1 1060	2
9	Vite TE M6X12	Screw TE M6X12	-	-	-	-	LV030002V3 2043	2



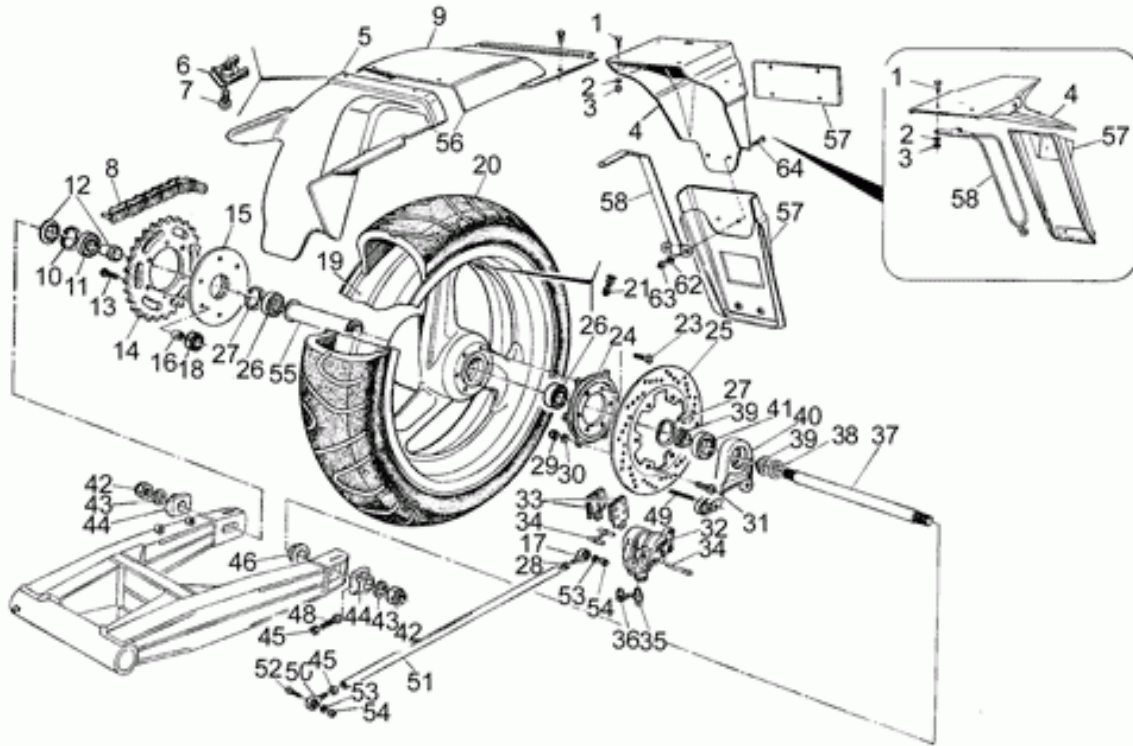
Ref.	Descrizione	Description	Year	I.M.	Country	Version	Code	Qty
1	Raccordo FBM 2052	Union FBM 2052	-	-	-	-	LV037002000 027	1
2	Tubo uscita olio	Oil outlet pipe	-	-	-	-	LV036002000 040	1
3	Tubo mandata olio	Pipe	-	-	-	-	LV036002000 039	1
12	Radiatore olio	Oil cooler	-	-	-	-	LV061009000 140Y	2
14	Raccordo	Union	-	-	-	-	LV030011000 034	1
15	Rosetta 14X18X1,5	Washer 14X18X1,5	-	-	-	-	LV033001000 040	2
18	Rosetta 6,5X18X1,5	Washer 6,5X18X1,5	-	-	-	-	LV033001V1 1060	4
19	Dado autobloc. M6	Self-locking nut M6	-	-	-	-	LV030005V3 2123	4
20	Staffa inf.dx	Rh lower bracket	-	-	-	-	LV060001000 199	1
21	Staffa inf.sx	Lh lower bracket	-	-	-	-	LV060001000 200	1
22	Staffa sup.dx	RH support bracket	-	-	-	-	LV060001000 197	1
23	Staffa sup.sx	LH support bracket	-	-	-	-	LV060001000 198	1
24	Passacavo	Fairlead	-	-	-	-	LV058002V0 0102	4
25	Distanziale	Spacer	-	-	-	-	LV034005V1 0184	4
26	Rosetta 6,5X14X1,5	Washer 6,5X14X1,5	-	-	-	-	LV033001V1 1020	4
27	Vite TCBEI M6X20	Screw TCBEI M6X20	-	-	-	-	LV030010000 010	4
28	Rosetta elastica 6 mm	Spring washer 6 mm	-	-	-	-	LV033001000 013	4
29	Vite TCBEI M6X12	Screw TCBEI M6X12	-	-	-	-	LV030010000 007	4



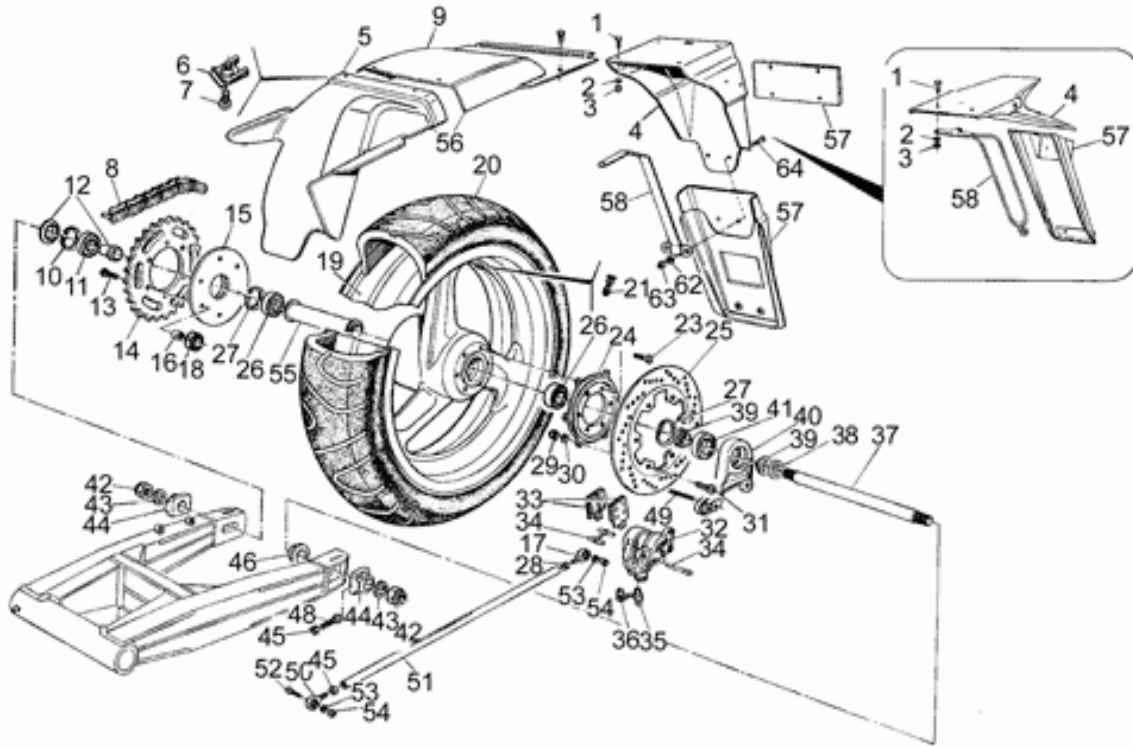
Ref.	Descrizione	Description	Year	I.M.	Country	Version	Code	Qty
1	Perno ruota ant.	Front wheel spindle	-	-	-	-	LV034002000 028	1
	Perno ruota ant.	Front wheel spindle	-	-	-	668	LV034002000 026	1
2	Distanziale ruota ant.	Front wheel spacer	-	-	-	-	LV034003000 043	1
3	Disco freno ant.	Front brake disc	-	-	-	-	LV047002000 048	2
4	Ruota ant.nero	Front wheel, black	-	-	-	-	LV047005000 030	1
5	Pneumatico ant. 120/60ZR17-55W	Front/rear tyre 120/60ZR17-55W	-	-	-	-	LV061006000 018	1
6	Cuscinetto a sfere 17X47X14	Ball bearing 17X47X14	-	-	-	-	LV022001V1 1162	1
7	Distanziale int.	Internal spacer	-	-	-	-	LV034003000 044	1
8	Cuscinetto a sfere 15X42X13	Ball bearing 15X42X13	-	-	-	-	LV022004000 003	1
9	Rinvio tachimetro	Speedometer gear	-	-	-	-	LV049001000 006Y	1
10	Bussola M14X1,5	Bush M14X1,5	-	-	-	-	LV060002000 045	1
11	Pinza freno ant.sx	LH front brake caliper	-	-	-	-	LV047002000 042	1
12	Valvola tubeless	Tubeless tyre valve	-	-	-	-	LV061006000 013	1
13	Spurgo	Bleed valve	-	-	-	-	LV047002000 039	2
14	Spurgo	Bleed valve	-	-	-	-	LV047002V0 3004	2
15	Pastiglie-coppia	Pads pair	-	-	-	-	LV047002000 036	2
16	Kit revisione perno	Pin revision kit	-	-	-	-	LV047002000 038	2
17	Vite TCBEI M8X20	Screw TCBEI M8X20	-	-	-	-	LV030010000 017	12
19	Molletta	Spring	-	-	-	-	LV050001000 028	2
20	Pinza freno ant.dx	RH front brake caliper	-	-	-	-	LV047002000 043	1
21	Trascinatore	Drive key	-	-	-	-	LV049001000 007	1



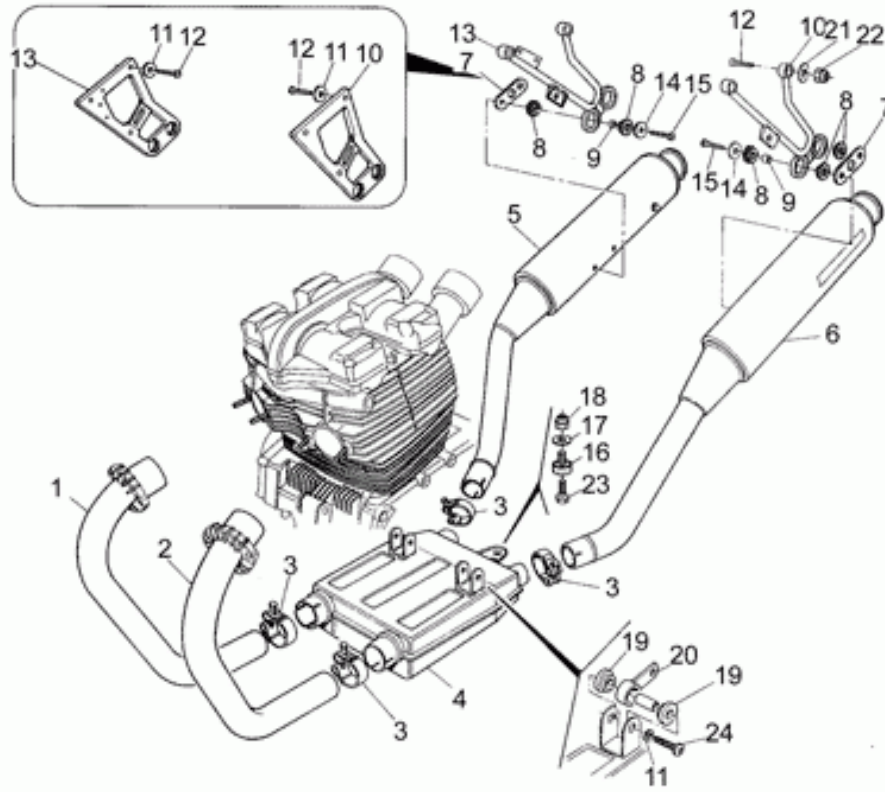
Ref.	Descrizione	Description	Year	I.M.	Country	Version	Code	Qty
1	Vite TE M6X18	Screw TE M6X18	-	-	-	-	LV030002V3 2073	4
2	Rosetta 6,4X16X1	Washer 6,4X16X1	-	-	-	-	LV033001V1 1050	4
3	Dado autobloc. M6	Self-locking nut M6	-	-	-	-	LV030005V3 2123	4
4	Portatarga	Number plate holder	-	-	-	-	LV061009000 065	1
5	Parafango post.parte ant.	Rear mudguard-front	-	-	-	-	LV061009000 077	1
6	Dado a graffetta M5	Nut with clip M5	-	-	-	-	LV030016000 002	2
7	Vite TC M5X12	Screw TC M5X12	-	-	-	-	LV030003V1 8053	2
8	Catena	Chain	-	-	-	-	LV041003000 007	1
9	Parafango post.	Rear mudguard	-	-	-	-	LV061009000 067	1
10	Anello Seeger 52mm DIN472	Circlip 52mm DIN472	-	-	-	-	LV050003V1 0299	1
11	Cuscinetto 25X52X18	Bearing 25X52X18	-	-	-	-	LV022001000 008	1
12	Bussola	Bush	-	-	-	-	LV034003000 046W	1
13	Vite TCBEI M10X35	Screw TCBEI M10X35	-	-	-	-	LV030010000 024	6
14	Corona Z=40	Chain ring Z=40	-	-	-	-	LV041002000 019	1
	Corona Z=42	Chain ring Z=42	-	-	-	-	LV041002000 020	1
15	Portacorona nero	Crown holder, black	-	-	-	-	LV047005000 032	1
16	Dado perno	Spindle nut	-	-	-	-	LV030016000 006	6
17	Snodo RML 8	Fork RML 8	-	-	-	-	LV046001000 007	1
18	Gommino parastrappi	Spring drive rubber	-	-	-	-	LV050004000 011	6
19	Ruota post.nero	Rear wheel, black	-	-	-	T2	LV047005000 037	1
20	Pneumatico post. 160/60ZR1769W	Rear tyre 160/60ZR1769W	-	-	-	-	LV061006000 019	1



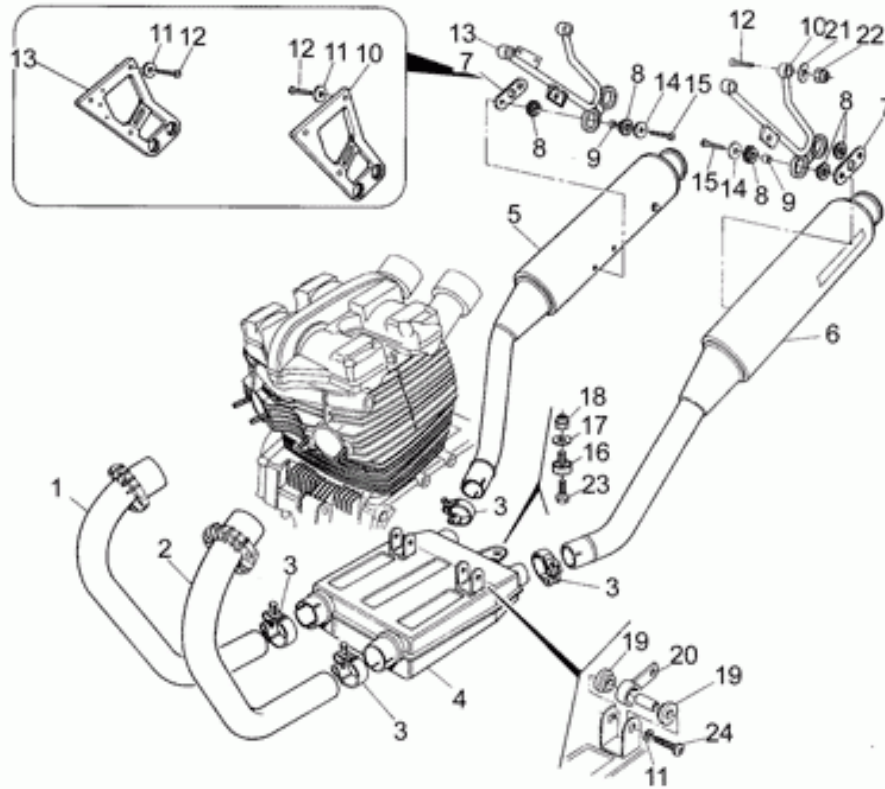
Ref.	Descrizione	Description	Year	I.M.	Country	Version	Code	Qty
21	Valvola tubeless	Tubeless tyre valve	-	-	-	-	LV061006000	1
23	Vite TCBEI M8X20	Screw TCBEI M8X20	-	-	-	-	LV030010000	6
24	Mozzo portadisco	Plate holder hub	-	-	-	-	LV037002000	1
25	Disco freno post.	Rear brake disc	-	-	-	-	LV047002000	1
26	Cuscinetto a sfere 20X47X14	Ball bearing 20X47X14	-	-	-	-	LV022001V0	2
27	Anello Seeger 47mm DIN 472	Circlip 47mm DIN 472	-	-	-	-	LV050003V1	1
28	Dado sx M8	LH nut M8	-	-	-	-	LV030005V1	1
29	Dado autobloc. M8	Self-locking nut M8	-	-	-	-	LV030015000	6
30	Rosetta 8,5X17X1	Washer 8,5X17X1	-	-	-	-	LV033001V1	6
31	Vite TCBEI M8X20	Screw TCBEI M8X20	-	-	-	-	LV030010000	6
32	Pinza freno post.	Rear brake caliper	-	-	-	-	LV047002000	1
33	Pastiglie-coppia	Pads pair	-	-	-	-	LV047002000	1
34	Kit revisione perno	Pin revision kit	-	-	-	-	LV047002V1	1
35	Spurgo	Bleed valve	-	-	-	-	LV047002V1	1
36	Spurgo	Bleed valve	-	-	-	-	LV047002V0	1
37	Perno ruota post.	Rear wheel spindle	-	-	-	-	LV034002000	1
38	Distanziale int.	Internal spacer	-	-	-	-	LV034003000	1
39	Bussola	Bush	-	-	-	-	LV021003000	2
40	Supporto pinza freno post.	Rear brake caliper support	-	-	-	-	LV021001000	1
41	Cuscinetto a sfere 25X47X12	Ball bearing 25X47X12	-	-	-	-	LV022001000	1
42	Dado autobloc. M18X1,5	Self-locking nut M18X1,5	-	-	-	-	LV030015000	2



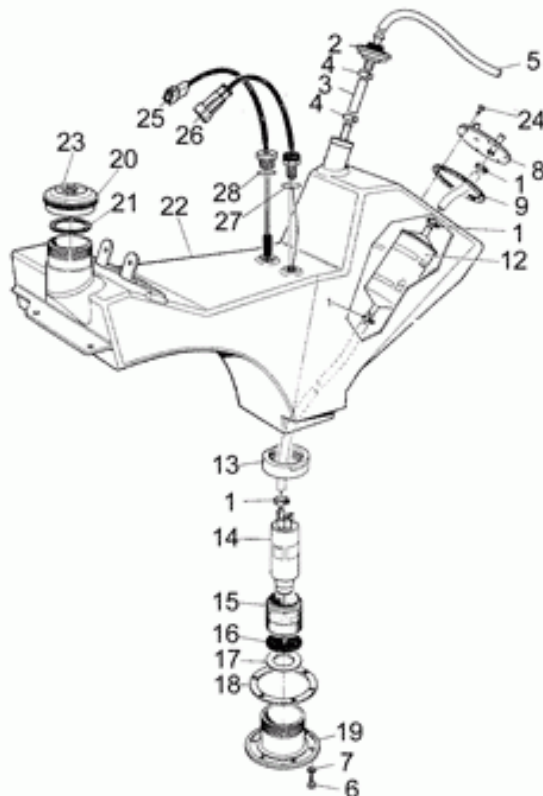
Ref.	Descrizione	Description	Year	I.M.	Country	Version	Code	Qty
43	Rosetta SS 18X25X1,5	Washer SS 18X25X1,5	-	-	-	-	LV033001000 037	2
44	Tendicatena	Chain tensioner	-	-	-	-	LV031003000 009	2
45	Dado M8	Nut M8	-	-	-	-	LV030005V1 0163	3
46	Distanziale est.	Outside spacer	-	-	-	-	LV034003000 047	1
48	Vite TE M8X55	Hex screw M8X55	-	-	-	-	LV030002V3 3193	2
49	Prigioniero M8X40	Stud bolt M8X40	-	-	-	-	LV034002000 029	1
50	Snodo RML 8	Fork RML 8	-	-	-	-	LV046001000 006	1
51	Tirante	Tie rod	-	-	-	-	LV031001000 005	1
52	Vite TE M8X40	Hex screw M8X40	-	-	-	668	LV030002V1 3163	1
	Vite TE M8X30	Screw TE M8X30	-	-	-	DIA	LV030002V1 3123	1
53	Rosetta 8,4X17X1,6	Washer 8,4X17X1,6	-	-	-	-	LV033001V1 2030	2
54	Dado autobloc. M8	Self-locking nut M8	-	-	-	-	LV030005V3 2163	2
55	Distanziale int.ruota post.	Rear wheel ins.spacer	-	-	-	-	LV034003000 041	1
56	Parafango post.	Rear mudguard	-	-	-	-	LV061009000 082	1
57	Portatarga	Number plate holder	-	-	CB	-	LV061009000 098	1
	Portatarga	Number plate holder	-	-	D	-	LV061009000 095	1
58	Supporto portatarga	Number plate holder support	-	-	-	-	LV021001000 184	1
62	Rosetta 5,3X10X1	Washer 5,3X10X1	-	-	-	-	LV033001V1 0710	2
63	Dado autobloc. B/M5	Self-locking nut B/M5	-	-	-	-	LV030005V3 2103	2
64	Vite TBBEI M5X16	Screw TBBEI M5X16	-	-	-	-	LV030010000 005	2



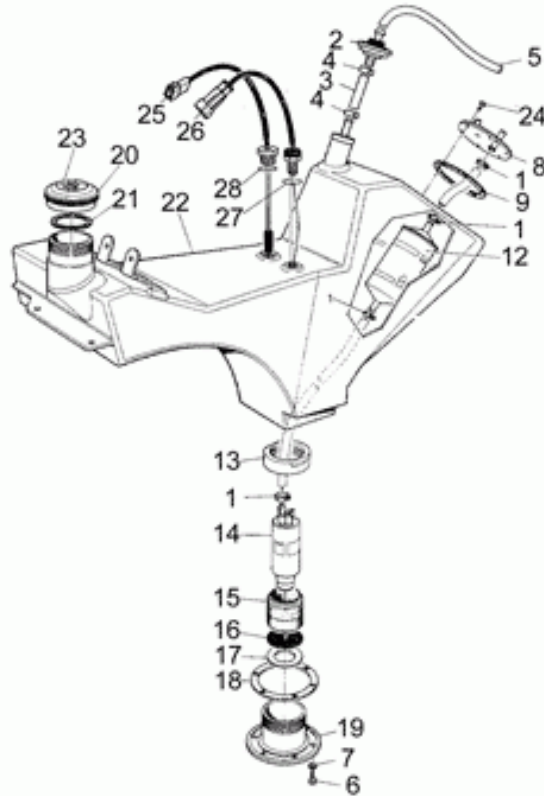
Ref.	Descrizione	Description	Year	I.M.	Country	Version	Code	Qty
1	Tubo scarico dx	RH exhaust pipe	-	-	-	-	LV063001000 002	1
2	Tubo scarico sx	LH exhaust pipe	-	-	-	-	LV063001000 003	1
3	Fascetta	Hose clamp	-	-	-	-	LV037001000 018	4
4	Compensatore scarico cent.	Central exhaust compensator	-	-	-	-	LV063003000 012	1
5	Silenziatore dx	RH silencer	-	-	-	-	LV063005000 008	1
6	Silenziatore sx	LH silencer	-	-	-	-	LV063005000 009	1
7	Distanziale	Spacer	-	-	-	-	LV033002000 016	2
8	Gommino marmitta	Rubber exhaust	-	-	-	-	LV050003000 018	8
9	Distanziale	Spacer	-	-	-	-	LV034003000 050	4
10	Staffa silenziatore sx	LH silencer bracket	-	-	-	-	LV021001000 183	1
11	Rosetta elastica d.8	Spring washer d.8	-	-	-	-	LV033001V2 0033	2
12	Vite TCEI M8X20	Hex socket screw M8X20	-	-	-	668	LV030003V6 3083	4
	Vite TCEI M8X25	Hex socket screw M8X25	-	-	-	DIA	LV030003V6 3109	4
13	Staffa silenziatore dx	RH silencer bracket	-	-	-	-	LV021001000 182	1
14	Rosetta 8,5X35,5X1,5	Washer 8,5X35,5X1,5	-	-	-	-	LV033001V1 2100	4
15	Vite TCBEI M8X25	Screw TCBEI M8X25	-	-	-	-	LV030010000 018	4
16	Silent block 25X20	Silent-block 25X20	-	-	-	668	LV050002V1 0966	1
17	Rosetta 6,4X16X1	Washer 6,4X16X1	-	-	-	668	LV033001V1 1050	2
18	Dado M6	Nut M6	-	-	-	668	LV030005V3 2123	2
19	Gommino	Rubber spacer	-	-	-	-	LV050004V0 2102	4
20	Staffa supporto	Support bracket	-	-	-	-	LV021001000 148	2



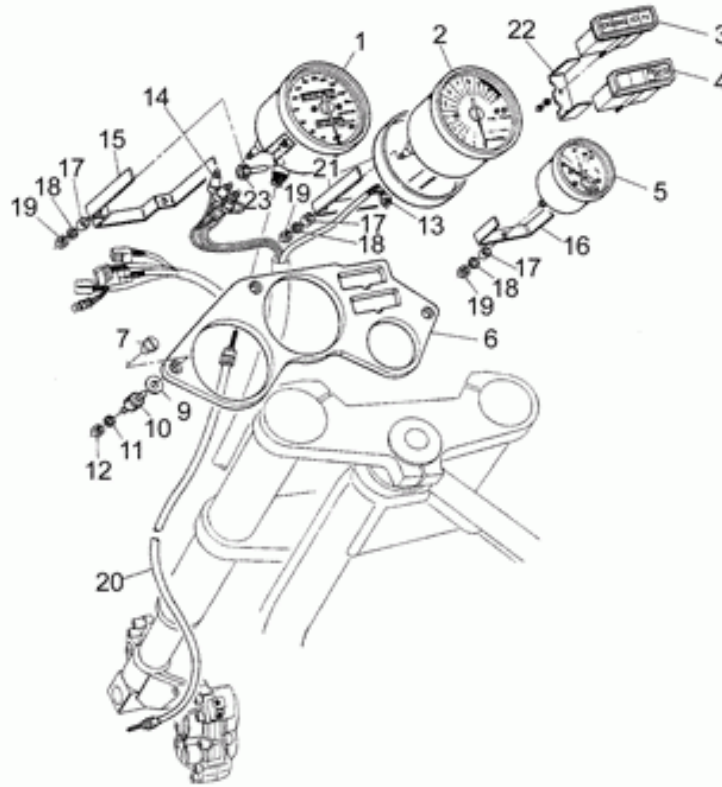
Ref.	Descrizione	Description	Year	I.M.	Country	Version	Code	Qty
21	Rosetta 8,4X17X1,6	Washer 8,4X17X1,6	-	-	-	DIA	LV033001V1 2030	4
22	Dado autobloc. M8	Self-locking nut M8	-	-	-	DIA	LV030005V3 2163	4
23	Vite TCBEI M6X10	Screw TCBEI M6X10	-	-	-	668	LV030010000 006	1
24	Vite TE M8X40	Hex screw M8X40	-	-	-	-	LV030002V1 3163	2



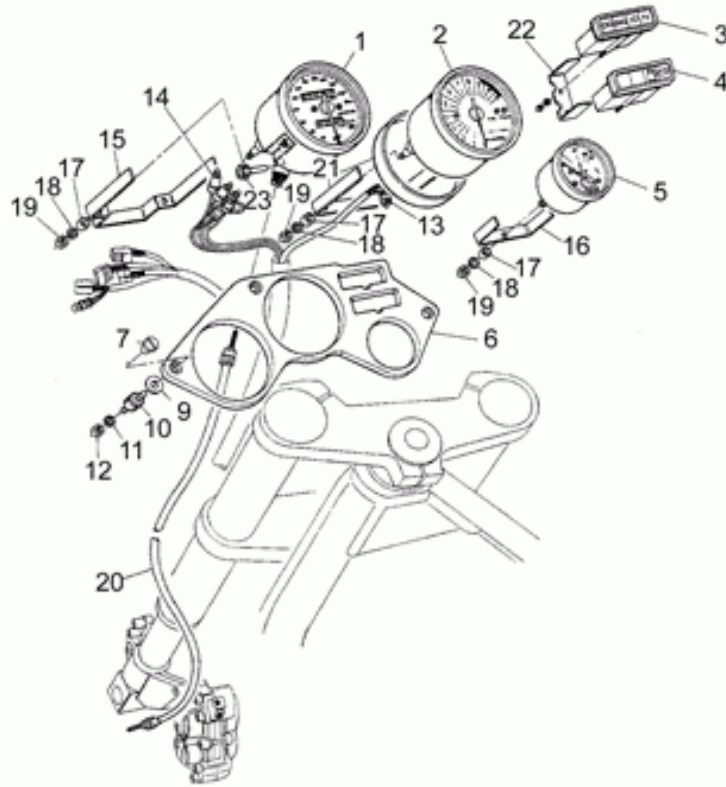
Ref.	Descrizione	Description	Year	I.M.	Country	Version	Code	Qty
1	Fascetta 14mm	Hose clamp 14mm	-	-	-	-	LV037001000 015	4
2	Valvola non ritorno benz.	Fuel anti-return valve	-	-	-	-	LV052005000 002	1
3	Tubo benz. 12X7	Fuel pipe 12X7	-	-	-	-	LV002006V0 1341	1
4	Fascetta 11 mm	Hose clamp 11 mm	-	-	-	-	LV037001000 013	3
5	Tubo in plastica 5X7	Plastic pipe 5X7	-	-	-	-	LV002006V0 0944	0
6	Vite TC M4X14	Screw TC M4X14	-	-	-	-	LV030003V1 1053	6
7	Rosetta 4,3X9X0,8	Washer 4,3X9X0,8	-	-	-	-	LV033001V1 0420	6
8	Raccordo	Union	-	-	-	-	LV061001000 020	1
9	Guarnizione	Gasket	-	-	-	-	LV055001000 056	1
12	Filtro benz.	Fuel filter	-	-	-	-	LV077003000 006	1
13	Ghiera	Ring nut	-	-	-	-	LV061001000 019	1
14	Pompa benz.	Fuel pump	-	-	-	-	LV077003000 005	1
15	Supporto pompa benz.	Fuel pump support	-	-	-	-	LV055004000 010	1
16	Filtro benz.	Fuel filter	-	-	-	-	LV062001000 030	1
17	Guarnizione	Gasket	-	-	-	-	LV055002000 024	1
18	Guarnizione	Gasket	-	-	-	-	LV055002000 025	1
19	Supporto pompa benz.	Fuel pump support	-	-	-	-	LV061001000 022	1
20	Tappo serbatoio benz.	Fuel filler cap	-	-	-	668	LV055004000 017	1
21	Guarnizione	Gasket	-	-	-	-	LV055001000 057	1
22	Serbatoio benz.	Fuel tank	-	-	-	T3	LV061001000 041	1
23	Decalco Laverda	Decal Laverda	-	-	-	-	LV061010000 046	1



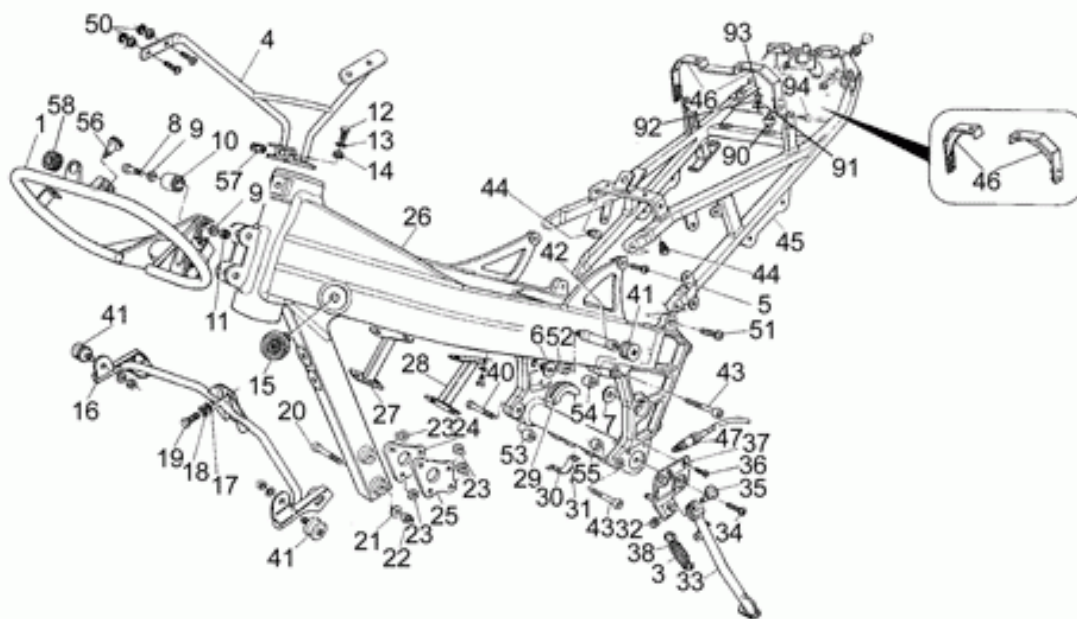
Ref.	Descrizione	Description	Year	I.M.	Country	Version	Code	Qty
24	Vite TC M4X12	Special cap screw M4X12	-	-	-	-	LV030003V1 1043	6
25	Sonda livello benz.	Fuel level sensor	-	-	-	T4	LV071003000 013	1
26	Cablaggio pompa benz.	Fuel pump wiring	-	-	-	T3	LV071001000 047	1
27	O-ring 2056	O-ring 2056	-	-	-	T3	LV055001V3 0014	1
28	O-ring 2056	O-ring 2056	-	-	-	T3	LV055001V3 0014	1



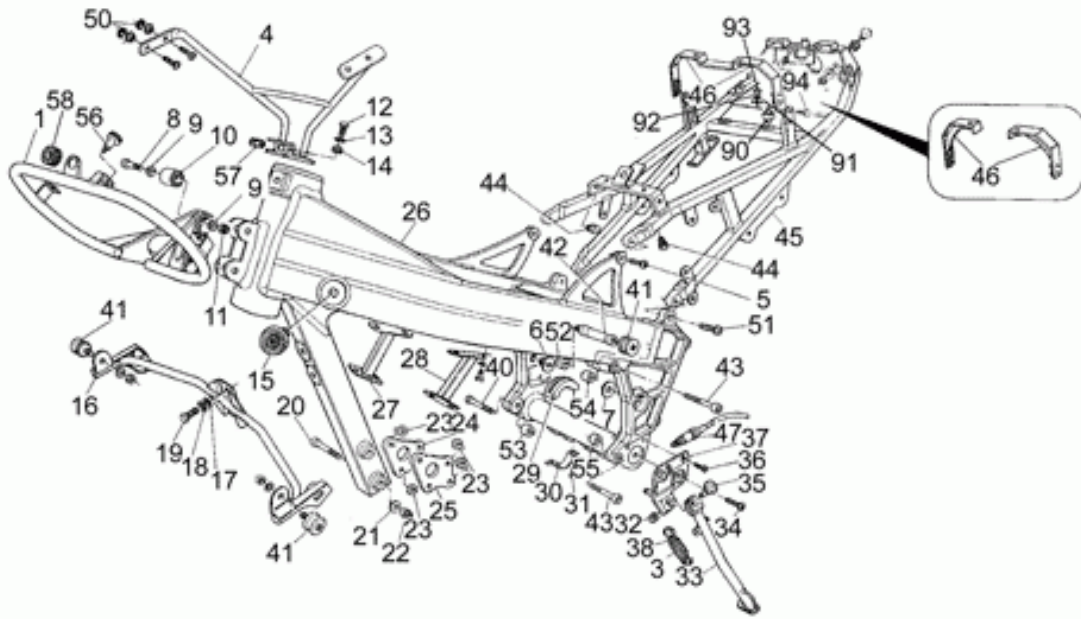
Ref.	Descrizione	Description	Year	I.M.	Country	Version	Code	Qty
1	Tachimetro	Speedometer	-	-	-	-	LV069001000 018	1
2	Contagiri elettronico	Electronic revolution counter	-	-	-	-	LV069001000 016	1
3	Portaspie	Pilot lamps holder	-	-	-	-	LV071003000 001	1
4	Portaspie	Pilot lamps holder	-	-	-	-	LV071003000 002	1
5	Termometro olio	Oil thermometer	-	-	-	-	LV069001000 017	1
6	Piastra supporto	Support plate	-	-	-	-	LV021001000 118	1
7	Vite	Screw	-	-	-	-	LV030011000 019	3
9	Rosetta 5X14X2	Washer 5X14X2	-	-	-	-	LV033001000 041	3
10	Silent block 10X10	Silent-block 10X10	-	-	-	-	LV050003000 023	3
11	Rosetta dentellata d.4	Notched washer d.4	-	-	-	-	LV033001V3 1004	3
12	Dado M4	Nut M4	-	-	-	-	LV030005V1 0083	3
13	Lampadina 12V 3W	Lamp 12V 3W	-	-	-	-	LV076001000 029	4
14	Lampadina 12V 2W	Lamp 12V 2W	-	-	-	-	LV076001000 028	7
15	Supporto tachimetro	Tachometer supp.	-	-	-	-	LV021001000 171	1
16	Supporto termometro	Thermometer support	-	-	-	-	LV021001000 155	1
17	Distanziale	Spacer	-	-	-	-	LV034003000 066	5
18	Rosetta dentellata d.5	Notched washer d.5	-	-	-	-	LV033001V3 1005	5
19	Dado M5	Nut M5	-	-	-	-	LV030005V1 1103	5
20	Trasmissione tachimetro	Speedometer transmission	-	-	-	-	LV036003000 008	1
21	Supporto contagiri	Tachometer support	-	-	-	-	LV019001000 028	1
22	Supporto spie	Indicator support	-	-	-	-	LV021001000 156	1



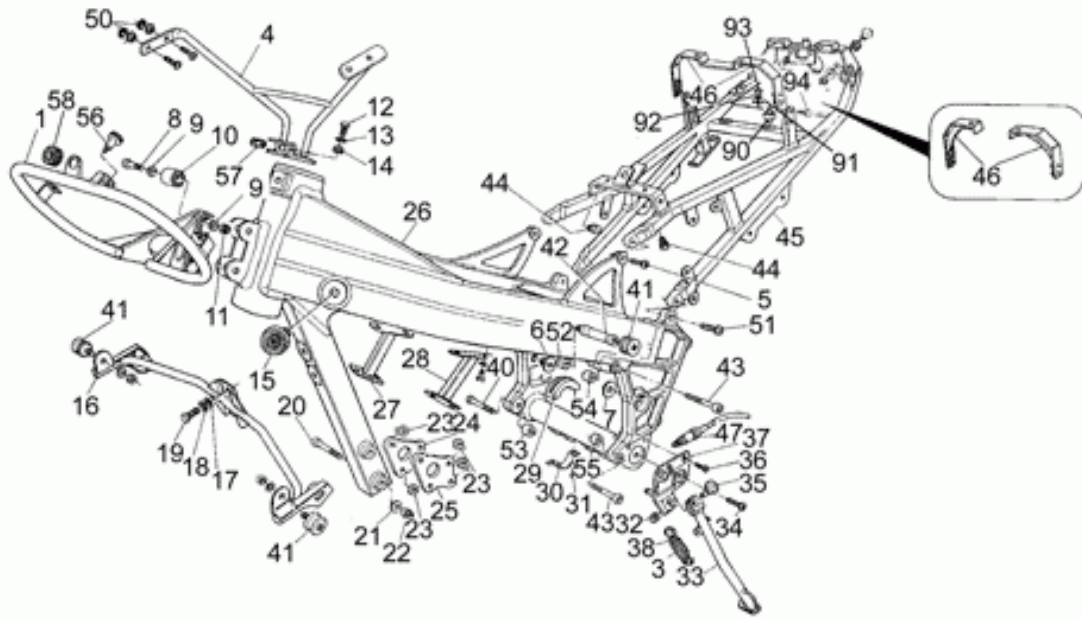
Ref.	Descrizione	Description	Year	I.M.	Country	Version	Code	Qty
23	Ghiera azzeratore	Zero setting device ring nut	-	-	-	-	LV069001000 019	1



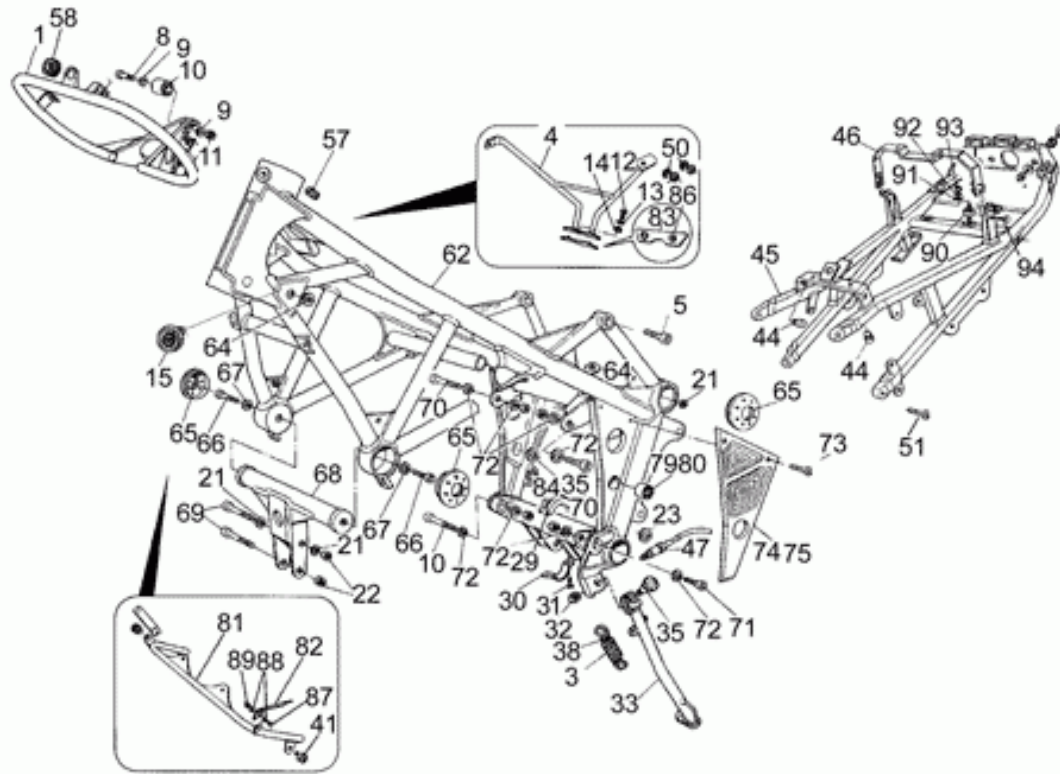
Ref.	Descrizione	Description	Year	I.M.	Country	Version	Code	Qty
1	Supporto strumenti	Instrument support	-	-	-	-	LV021001000 231	1
3	Molla est.	Outer spring	-	-	-	-	LV050001000 025	1
4	Supporto specchio	Mirror support	-	-	-	-	LV021001000 230	1
5	Vite TCBEI M8X20	Screw TCBEI M8X20	-	-	-	-	LV030010000 017	2
6	Bussola	Bush	-	-	-	-	LV021003000 026	1
7	Rosetta 16X42X4	Washer 16X42X4	-	-	-	-	LV033001000 036	1
8	Vite TE M6X40	Screw TE M6X40	-	-	-	-	LV030002V3 2163	2
9	Rosetta 6,5X18X1,5	Washer 6,5X18X1,5	-	-	-	-	LV033001V1 1060	4
10	Silent block 10X22X23	Silent-block 10X22X23	-	-	-	-	LV050002V1 0959	2
11	Dado autobloc. M6	Self-locking nut M6	-	-	-	-	LV030005V3 0123	2
12	Vite TCBEI M6X20	Screw TCBEI M6X20	-	-	-	-	LV030010000 010	2
13	Rosetta 6,5X14X1,5	Washer 6,5X14X1,5	-	-	-	-	LV033001V1 1020	2
14	Rosetta elastica 6 mm	Spring washer 6 mm	-	-	-	-	LV033001000 013	2
15	Gommino	Rubber spacer	-	-	-	-	LV050003000 020	4
16	Supporto carena	Front fairing support	-	-	-	-	LV021001000 114	1
17	Rosetta 6,5X18X1,5	Washer 6,5X18X1,5	-	-	-	-	LV033001V1 1060	2
18	Rosetta Grower d.5	Washer d.5	-	-	-	-	LV033001V2 0006	2
19	Vite TE M6X16	Hex screw M6X16	-	-	-	-	LV030002V3 2063	2
20	Vite TCEI M8X80	Screw TCEI M8X80	-	-	-	-	LV030003V6 3243	4
21	Rosetta 8,4X17X1,6	Washer 8,4X17X1,6	-	-	-	-	LV033001V1 2030	6
22	Dado M8	Nut M8	-	-	-	-	LV030005V3 0163	4



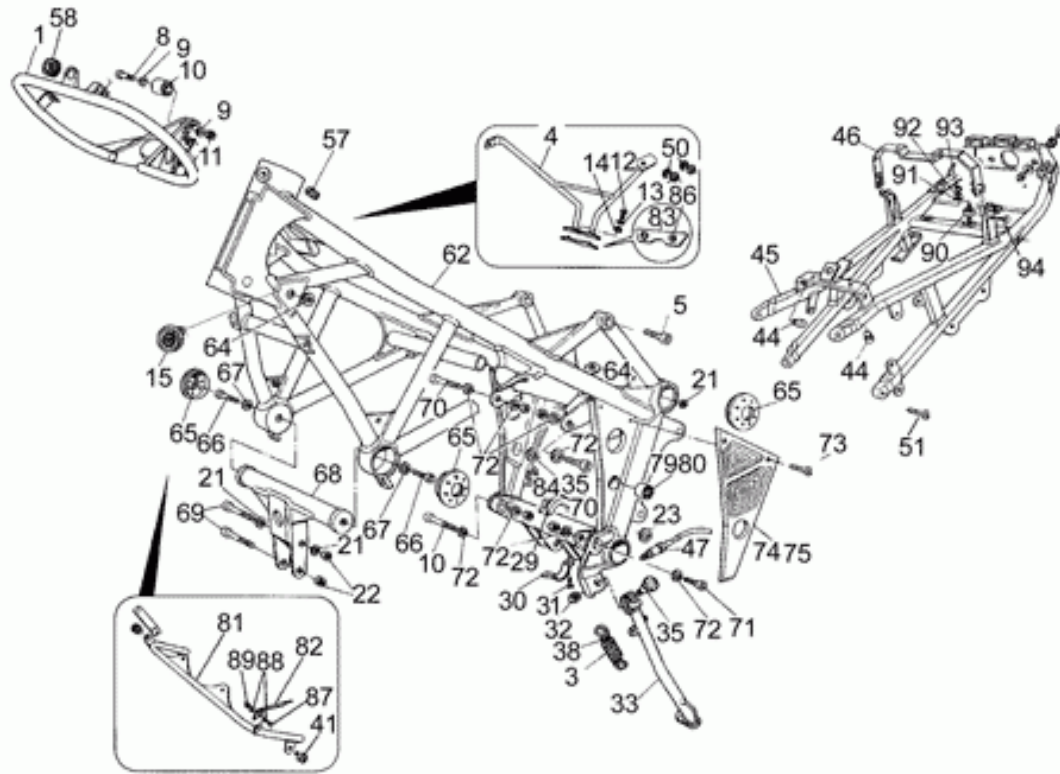
Ref.	Descrizione	Description	Year	I.M.	Country	Version	Code	Qty
23	Distanziale	Spacer	-	-	-	-	LV034003000 067	2
24	Supporto ant.	Front support	-	-	-	-	LV021001V6 0000	1
25	Supporto	Support	-	-	-	-	LV021001V6 0000	1
26	Telaio	Frame	-	-	-	-	LV060001000 165	1
27	Supporto radiatore dx	RH water cooler support	-	-	-	-	LV021001000 115	1
28	Supporto radiatore sx	LH water cooler support	-	-	-	-	LV021001000 116	1
29	Pattino guidacatena inf.	Lower chain guide plate	-	-	-	-	LV031003000 008	1
30	Fascetta	Hose clamp	-	-	-	-	LV037001000 008	1
31	Vite autof. TC 6,3X16	Self-tap screw TC 6,3X16	-	-	-	-	LV030009000 001	2
32	Dado M10X1,25	Nut M10X1,25	-	-	-	-	LV030005V1 5203	1
33	Cavalletto laterale	Lateral stand	-	-	-	-	LV060001000 113	1
34	Vite TCBEI M10X40	Screw TCBEI M10X40	-	-	-	-	LV030010000 025	1
35	Perno cavalletto	Stand pin	-	-	-	-	LV034002000 024	1
36	Vite TCBEI M8X30	Screw TCBEI M8X30	-	-	-	-	LV030010000 019	2
37	Supporto cavalletto	Stand support	-	-	-	-	LV021001000 151	1
38	Molla int.	Inner spring	-	-	-	-	LV050001000 024	1
40	Vite TCEI M10X100	Hex socket screw M10X100	-	-	-	-	LV030007000 087	2
41	Silent block 25X20	Silent-block 25X20	-	-	-	-	LV050002V1 0966	4
42	Distanziale	Spacer	-	-	-	-	LV034003000 049	2
43	Vite TCEI M10X90	Hex socket screw M10X90	-	-	-	-	LV030007000 085	2
44	Gommino	Rubber spacer	-	-	-	-	LV050003000 021	4



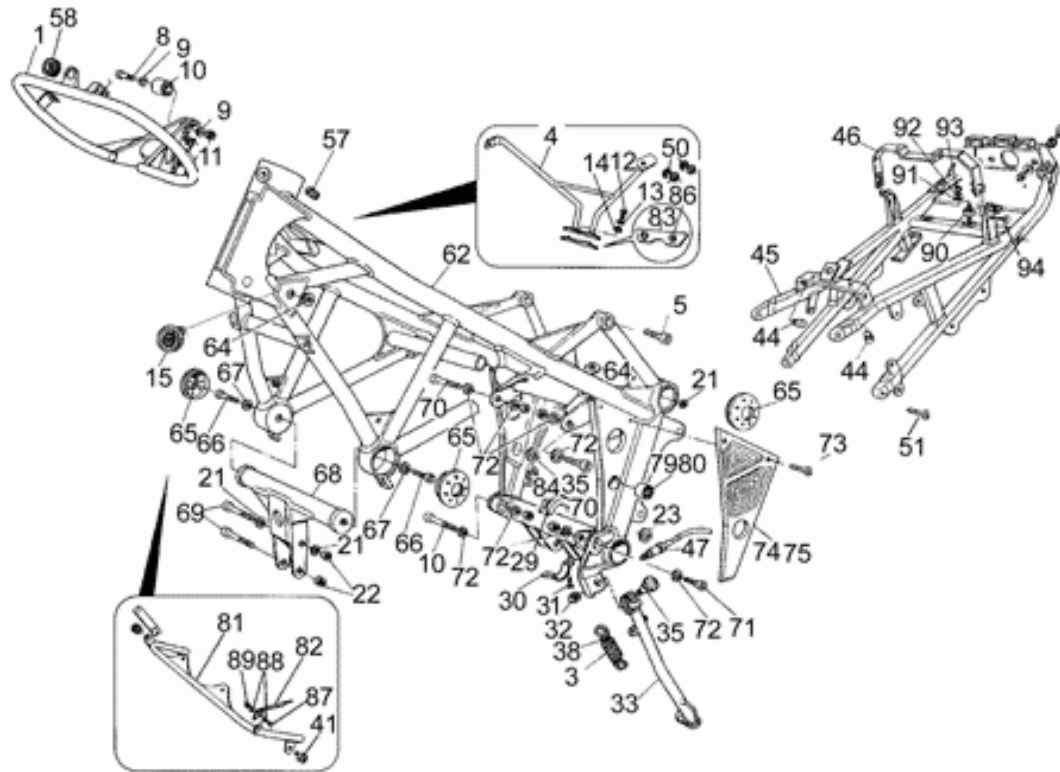
Ref.	Descrizione	Description	Year	I.M.	Country	Version	Code	Qty
45	Telaio	Frame	-	-	-	-	LV060001000 205	1
46	Staffa supporto	Support bracket	-	-	-	-	LV021001000 219	1
47	Interruttore cavalletto	Lateral stand switch	-	-	-	-	LV071003000 008	1
50	Rosetta in gomma	Rubber washer	-	-	-	-	LV055001000 066	4
51	Vite TCEI M8X22	Hex socket screw M8X22	-	-	-	-	LV030003V6 3093	2
52	Supporto sup.dx	RH upper support	-	-	-	-	LV034003000 057	1
53	Supporto inf.dx	RH lower support	-	-	-	-	LV034003000 058	1
54	Supporto sup.sx	LH upper support	-	-	-	-	LV034003000 059	1
55	Supporto inf.sx	LH lower support	-	-	-	-	LV034003000 060	1
56	Pomello	Knob	-	-	-	-	LV030011000 031	1
	Pomello	Knob	-	-	-	-	LV030011000 033	1
57	Passacavo	Fairlead	-	-	-	-	LV058002V0 0197	1
58	Gommino	Rubber spacer	-	-	-	-	LV058002V0 0112	1
90	Silent block 20X10	Silent-block 20X10	-	-	-	-	LV050003000 006	2
91	Rosetta 6,5X18X1,5	Washer 6,5X18X1,5	-	-	-	-	LV033001V1 1060	2
92	Rosetta elastica 6 mm	Spring washer 6 mm	-	-	-	-	LV033001000 013	2
93	Dado M6	Nut M6	-	-	-	-	LV030005V1 1123	2
94	Vite TE M6X16	Hex screw M6X16	-	-	-	-	LV030002V3 2063	2



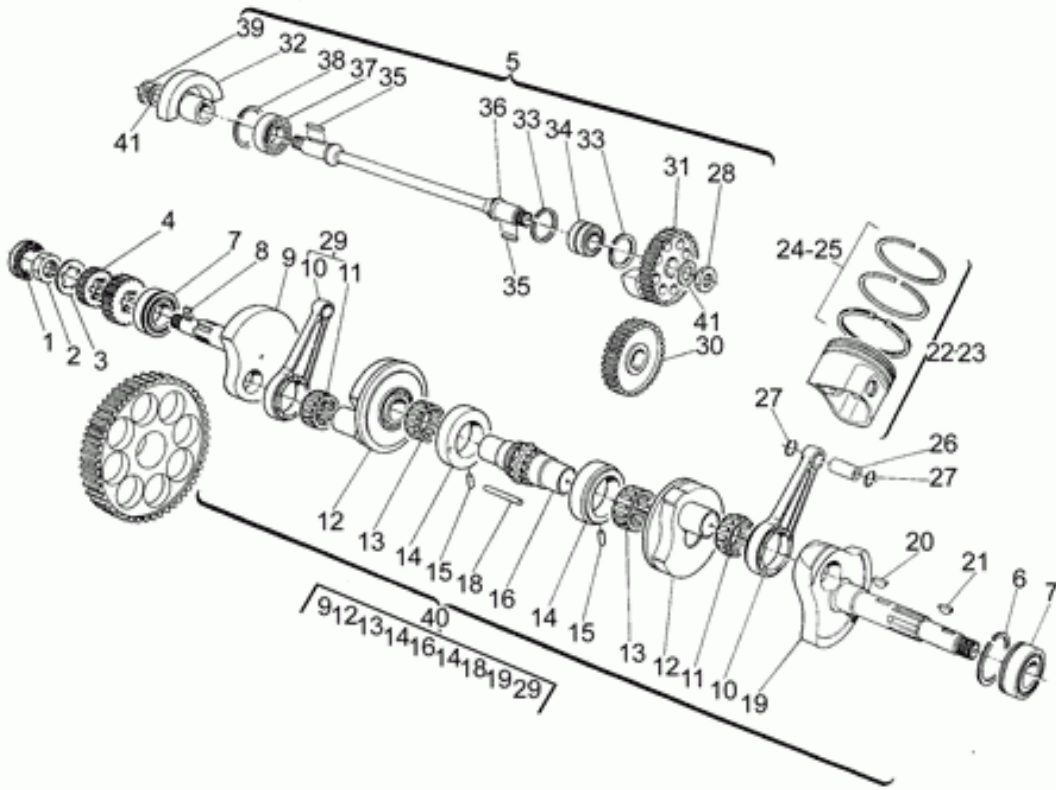
Ref.	Descrizione	Description	Year	I.M.	Country	Version	Code	Qty
1	Supporto strumenti	Instrument support	-	-	-	-	LV021001000 231	1
3	Molla est.	Outer spring	-	-	-	-	LV050001000 025	1
4	Supporto specchio	Mirror support	-	-	-	-	LV021001000 230	1
5	Vite TCEI M8X22	Hex socket screw M8X22	-	-	-	-	LV030003V6 3093	2
8	Vite TE M6X40	Screw TE M6X40	-	-	-	-	LV030002V3 2163	2
9	Rosetta 6,5X18X1,5	Washer 6,5X18X1,5	-	-	-	-	LV033001V1 1060	4
10	Silent block 10X22X23	Silent-block 10X22X23	-	-	-	-	LV050002V1 0959	2
11	Dado autobloc. M6	Self-locking nut M6	-	-	-	-	LV030005V3 0123	2
12	Vite TCBEI M6X20	Screw TCBEI M6X20	-	-	-	-	LV030010000 010	2
13	Rosetta 6,5X14X1,5	Washer 6,5X14X1,5	-	-	-	-	LV033001V1 1020	2
14	Rosetta elastica 6 mm	Spring washer 6 mm	-	-	-	-	LV033001000 013	2
15	Gommino	Rubber spacer	-	-	-	-	LV050003000 020	2
21	Rosetta 8,4X17X1,6	Washer 8,4X17X1,6	-	-	-	-	LV033001V1 2030	4
22	Dado autobloc. M8	Self-locking nut M8	-	-	-	-	LV030015000 008	2
23	Distanziale	Spacer	-	-	-	-	LV034003000 067	2
29	Pattino guidacatena inf.	Lower chain guide plate	-	-	-	-	LV031003000 008	1
30	Fascetta	Hose clamp	-	-	-	-	LV060001000 196	1
31	Vite autof. TC 6,3X16	Self-tap screw TC 6,3X16	-	-	-	-	LV030009000 001	2
32	Dado M10X1,25	Nut M10X1,25	-	-	-	-	LV030005V1 5203	1
33	Cavalletto laterale	Lateral stand	-	-	-	-	LV060001000 113	1
35	Perno cavalletto	Stand pin	-	-	-	-	LV034002000 024	1



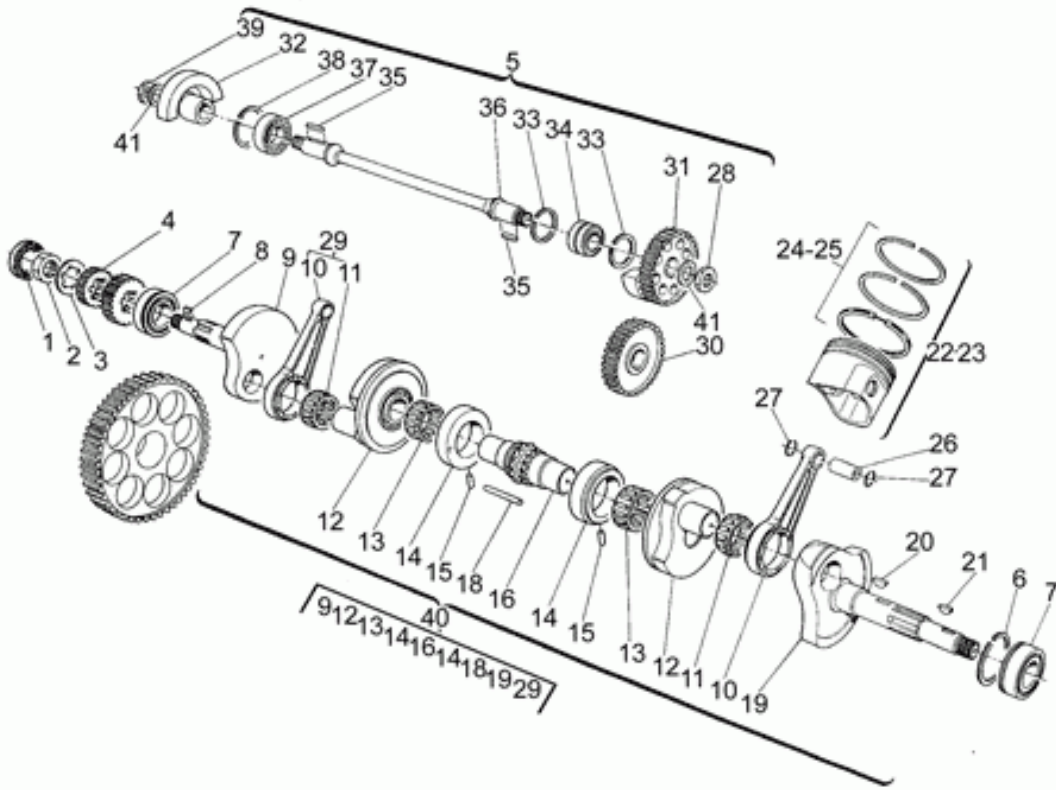
Ref.	Descrizione	Description	Year	I.M.	Country	Version	Code	Qty
38	Molla int.	Inner spring	-	-	-	-	LV050001000 024	1
41	Silent block 25X20	Silent-block 25X20	-	-	-	-	LV050002V1 0966	2
44	Gommino	Rubber spacer	-	-	-	-	LV050003000 021	4
45	Telaio post.	Rear frame	-	-	-	-	LV060001000 257	1
46	Staffa supporto	Support bracket	-	-	-	-	LV021001000 219	1
47	Interruttore cavalletto	Lateral stand switch	-	-	-	-	LV071003000 008	1
50	Rosetta in gomma	Rubber washer	-	-	-	-	LV055001000 066	4
51	Vite TCEI M8X22	Hex socket screw M8X22	-	-	-	-	LV030003V6 3093	2
57	Passacavo	Fairlead	-	-	-	-	LV058002V0 0197	1
58	Gommino	Rubber spacer	-	-	-	-	LV058002V0 0112	1
62	Telaio	Frame	-	-	-	-	LV060001000 258	1
64	Rosetta	Washer	-	-	-	-	LV033001000 061	4
65	Tappo	Plug	-	-	-	-	LV055004000 024	4
66	Vite TCEI M10X30	Screw TCEI M10X30	-	-	-	-	LV030003V6 4123	2
67	Rosetta 1,5X21X2	Washer 1,5X21X2	-	-	-	-	LV033001V1 3050	2
68	Supporto motore ant.	Front engine support	-	-	-	-	LV060001000 169	1
69	Vite TCEI M8X70	Screw TCEI M8X70	-	-	-	-	LV030007000 082	2
70	Vite TCEI M10X55	Screw TCEI M10X55	-	-	-	-	LV030007000 083	3
71	Vite TCEI M10X80	Screw TCEI M10X80	-	-	-	-	LV030007000 084	1
72	Rosetta 1,5X21X2	Washer 1,5X21X2	-	-	-	-	LV033001V1 3050	8
73	Vite TCBEI M6X16	Screw TCBEI M6X16	-	-	-	-	LV030010000 008	4



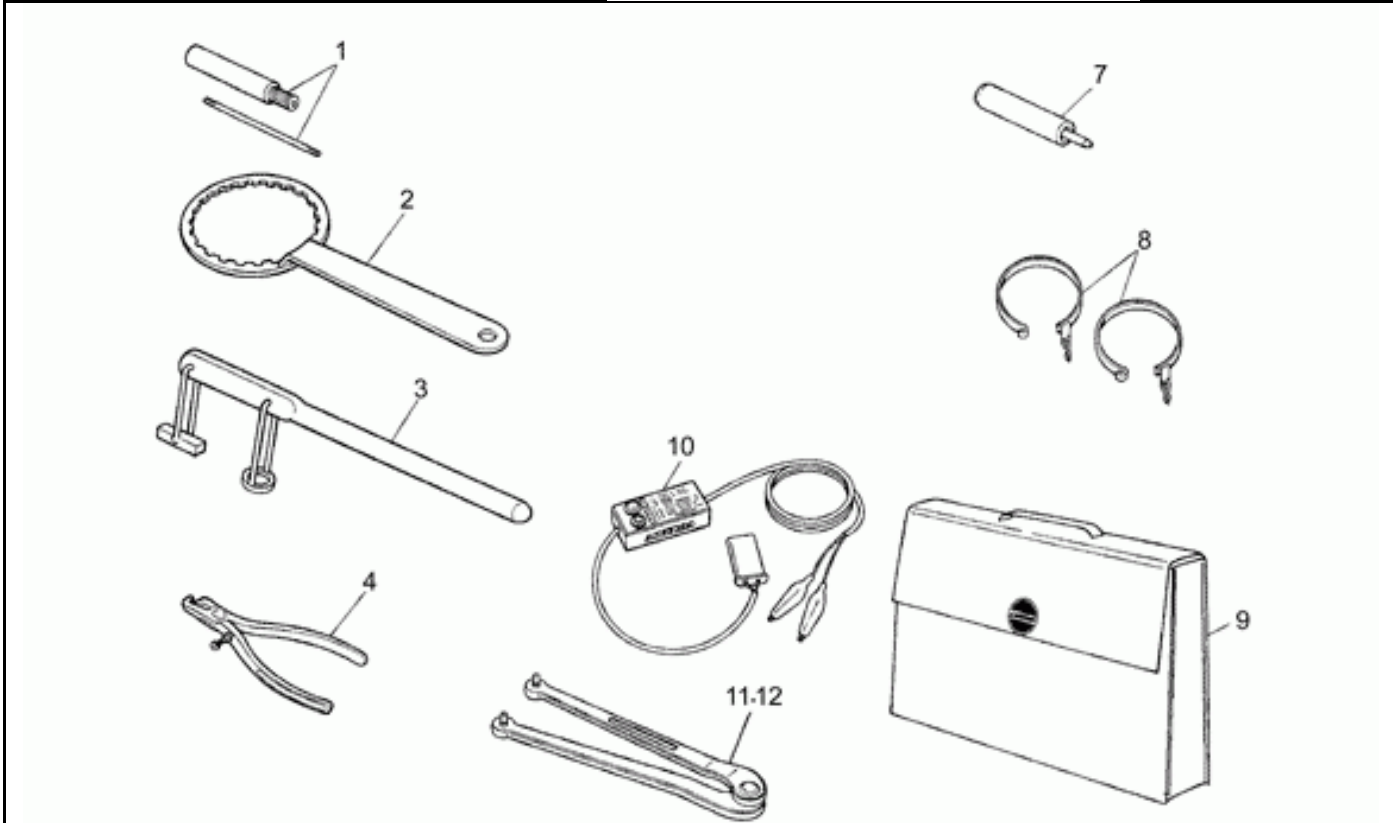
Ref.	Descrizione	Description	Year	I.M.	Country	Version	Code	Qty
74	Copritelaio dx	RH frame protection	-	-	-	-	LV033002000 039	1
75	Copritelaio sx	LH frame protection	-	-	-	-	LV033002000 040	1
79	Distanziale dx	RH spacer	-	-	-	-	LV034003000 082	1
80	Distanziale sx	LH spacer	-	-	-	-	LV034003000 083	1
81	Supporto	Support	-	-	-	-	LV021001000 251	1
82	Staffa	Clamp	-	-	-	-	LV021001000 252	2
83	Staffa	Clamp	-	-	-	-	LV033002000 058	1
84	Distanziale dx	RH spacer	-	-	-	-	LV033001000 063	1
85	Distanziale sx	LH spacer	-	-	-	-	LV033001000 064	1
86	Distanziale	Spacer	-	-	-	-	LV034005V1 0282	2
87	Vite TE M6X16	Hex screw M6X16	-	-	-	-	LV030002V3 2063	2
88	Rosetta 6,4X12,5X1,6	Washer 6,4X12,5X1,6	-	-	-	-	LV033001V1 1010	4
89	Dado autobloc. M6	Self-locking nut M6	-	-	-	-	LV030005V3 2123	2
90	Silent block 20X10	Silent-block 20X10	-	-	-	-	LV050003000 006	2
91	Rosetta 6,5X18X1,5	Washer 6,5X18X1,5	-	-	-	-	LV033001V1 1060	2
92	Rosetta elastica 6 mm	Spring washer 6 mm	-	-	-	-	LV033001000 013	2
93	Dado M6	Nut M6	-	-	-	-	LV030005V1 1123	2
94	Vite TE M6X16	Hex screw M6X16	-	-	-	-	LV030002V3 2063	2



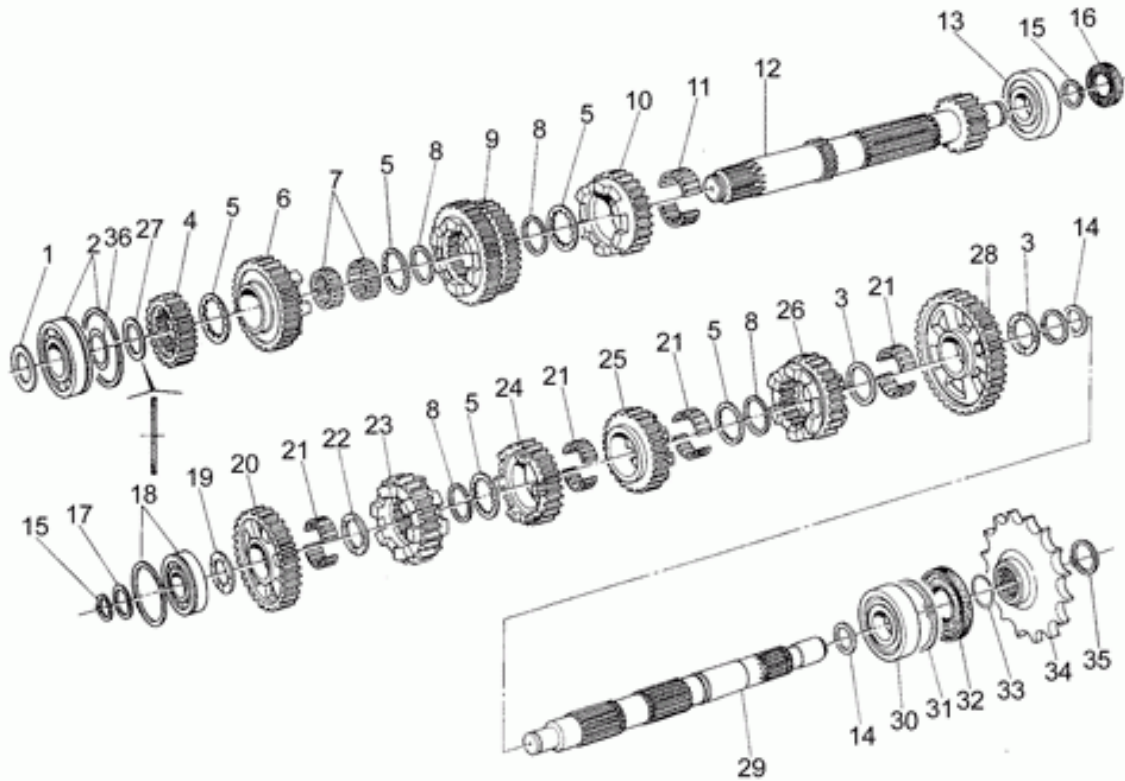
Ref.	Descrizione	Description	Year	I.M.	Country	Version	Code	Qty
1	Paraolio 20X30X7/7,5	Oil seal 20X30X7/7,5	-	-	-	-	LV055002000 011	1
2	Dado	Nut	-	-	-	-	LV030005V9 0240	1
3	Rosetta	Washer	-	-	-	-	LV033001V4 0060	1
4	Ingranaggio conduttore Z=23	Drive gear Z=23	-	-	-	668	LV041001V1 1308	1
	Ingranaggio conduttore Z=28	Drive gear Z=28	-	-	-	M1	LV041001000 064	1
5	Contralbero	Balance shaft	-	-	-	-	LV019002000 036	1
6	Anello di fermo	Stop ring	-	-	-	-	LV022008000 030	1
7	Cuscinetto a sfere 30X72X19	Ball bearing 30X72X19	-	-	-	-	LV022001V0 1301	2
8	Chiavetta 3X3,7	Transmission key 3X3,7	-	-	-	-	LV033004V1 0606	1
9	Volano dx	RH flywheel	-	-	-	-	LV040002000 015	1
10	Biella	Connecting rod	-	-	-	-	LV043001000 007	2
11	Gabbia a rulli KZK 35X45X20	Roller cage KZK 35X45X20	-	-	-	-	LV022008000 018	2
12	Volano cent.	Central flywheel	-	-	-	-	LV040002000 014	2
13	Gabbia a rulli KZK 36X46X15	Roller cage KZK 36X46X15	-	-	-	-	LV022008V0 9773	2
14	Anello	Ring	-	-	-	-	LV022004000 017	2
15	Rullo 6X10	Roller 6X10	-	-	-	-	LV034001V3 1210	2
16	Pignone catena distrib.cpl.	Timing system chain pinion cpl	-	-	-	-	LV041001000 040	1
18	Spina	Pin	-	-	-	-	LV034001V1 0192	1
19	Volano sx	LH flywheel	-	-	-	-	LV040002000 013	1
20	Chiavetta 4X6,5	Transmission key 4X6,5	-	-	-	-	LV033004V1 0813	1
21	Chiavetta 4X5X12,65	Transmission key 4X5X12,65	-	-	-	-	LV033004V1 0810	1



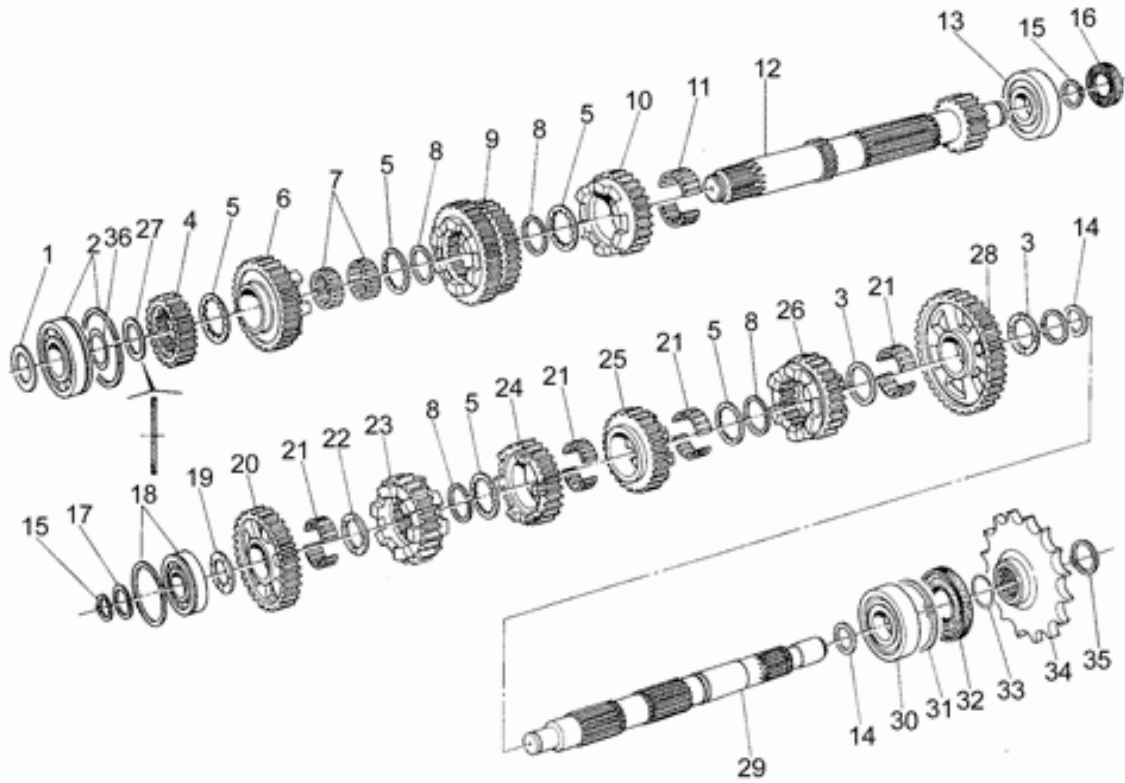
Ref.	Descrizione	Description	Year	I.M.	Country	Version	Code	Qty
22	Pistone cpl. 78,5 mm	Piston assy 78,5 mm	-	-	-	-	LV043003000 008	2
23	Pistone cpl. 78,8 mm	Piston assy 78,8 mm	-	-	-	-	LV043003000 009	2
24	Segmenti-serie 78,5 mm	Piston ring set 78,5 mm	-	-	-	-	LV055002000 014	2
25	Segmenti-serie 78,8 mm	Piston ring set 78,8 mm	-	-	-	-	LV055002000 026	2
26	Spinotto	Piston pin	-	-	-	-	LV034002000 020	2
27	Anello di fermo spinotto	Stop ring	-	-	-	-	LV050002000 015	4
28	Dado dx M15x1	RH nut M15x1	-	-	-	-	LV030005V9 0332	1
29	Biella cpl.	Connecting rod cpl.	-	-	-	-	LV043001000 008	2
30	Ingran.contralbero	Balance shaft gear	-	-	-	-	LV041001000 043	1
31	Contrappeso lato volano est.	Ext.wheel side counterweight	-	-	-	-	LV040003000 010	1
32	Contrappeso lato frizione	Clutch side counterweight	-	-	-	-	LV040003000 011	1
33	Anello Seeger SB 32	Circlip SB 32	-	-	-	-	LV050002000 020	2
34	Gabbia a rulli NKI 20/20	Roller cage NKI 20/20	-	-	-	-	LV022008V0 3203	1
35	Chiavetta 4X4X16	Transmission key 4X4X16	-	-	-	-	LV033003000 001	2
36	Contralbero	Balance shaft	-	-	-	-	LV040001000 017	1
37	Cuscinetto a rulli 20X52X15	Roller bearing 20X52X15	-	-	-	-	LV022002V0 9211	1
38	Anello Seeger 52l sp.1,5	Circlip 52l sp.1,5	-	-	-	-	LV050002000 019	1
39	Dado sx M15x1	LH nut M15x1	-	-	-	-	LV030005V9 0334	1
40	Albero motore	Drive shaft	-	-	-	-	LV040001000 007	1
41	Molla a tazza 16,3X31,5X1,25	Belleville spring 16,3X31,5X1,25	-	-	-	-	LV033001000 053	2



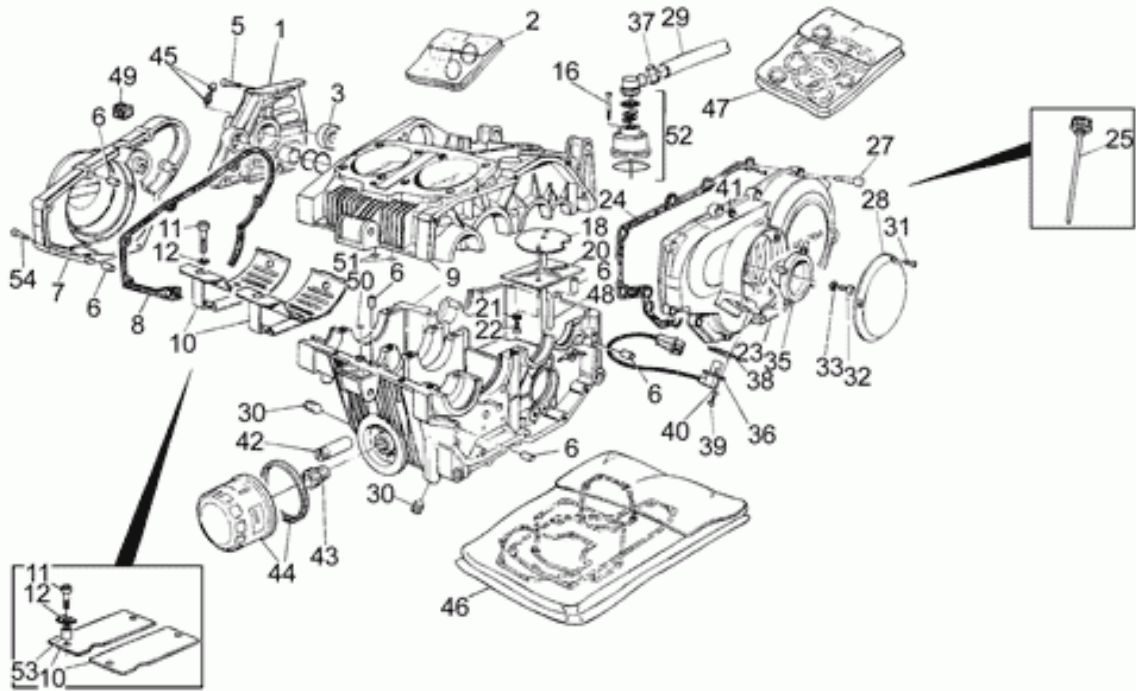
Ref.	Descrizione	Description	Year	I.M.	Country	Version	Code	Qty
1	Supporto comparatore	Comparator support	-	-	-	-	LV061008V1 7901	1
2	Multiuso smont.gruppo frizione	Disassembly ign/clutch	-	-	-	-	LV061008000 022	1
3	Smont./mont.valvole	Valve removal and fitting	-	-	-	-	LV061008000 024	1
4	Montaggio catena	Chain kit	-	-	-	-	LV061008V0 1902	1
7	Tampone montaggio	Insertion jig	-	-	-	-	LV061008V2 0903	1
8	Fascia montaggio pistone	Elastic piston ring spanner	-	-	-	-	LV061008000 021	1
9	Attrezzatura specifica	Special tools	-	-	-	-	LV061008000 019	1
10	Attrezzo diagnosi	Diagnostic tools	-	-	-	-	LV061008000 015	1
11	Attrezzo per serraggio sterzo	Steering lock tool	-	-	-	-	LV061008000 026	1
12	Attrezzo perno leva freno	Tool brake lever pin	-	-	-	-	LV061008000 027	1



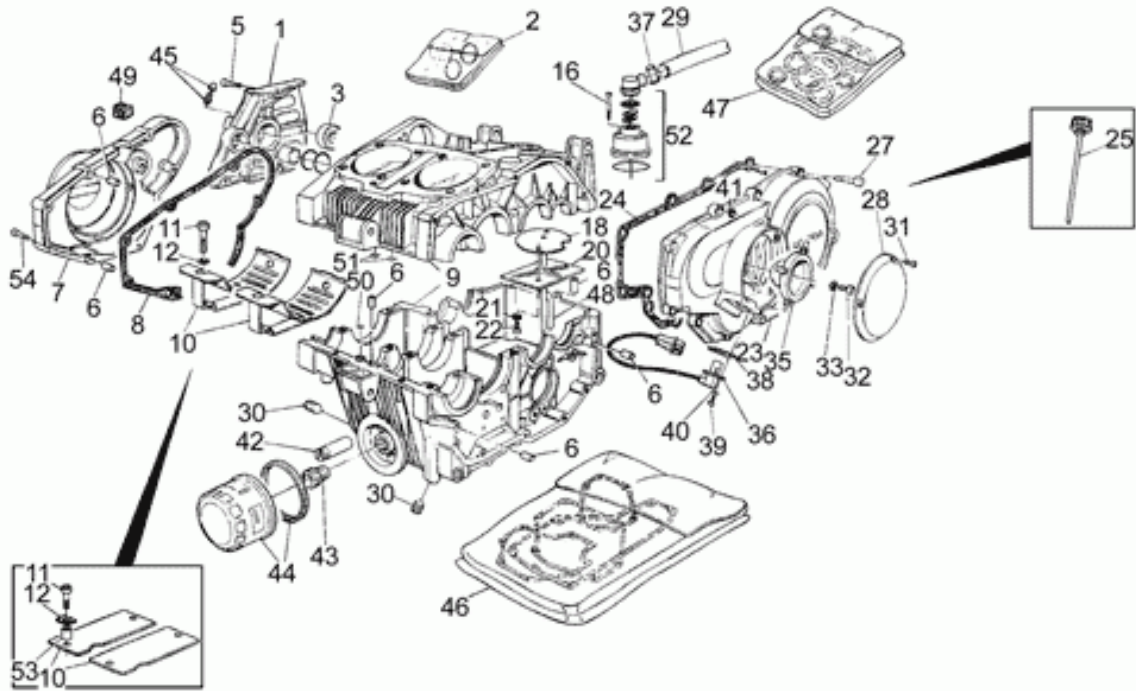
Ref.	Descrizione	Description	Year	I.M.	Country	Version	Code	Qty
1	Rosetta 25X45X2,5	Washer 25X45X2,5	-	-	-	-	LV033001000 022	1
2	Cuscinetto a sfere 25X62X17	Ball bearing 25X62X17	-	-	-	668	LV022001V0 1251	1
	Cuscinetto a sfere 25X62X17	Ball bearing 25X62X17	-	-	-	M2	LV022001000 013	1
3	Rasamento 25,2X34X2	Thrust washer 25,2X34X2	-	-	-	-	LV033001000 024	2
4	Ingranaggio conduttore 2A	Drive gear 2A	-	-	-	-	LV041001000 050	1
5	Rasamento	Thrust washer	-	-	-	-	LV033001000 025	5
6	Ingranaggio conduttore 4A	Drive gear 4A	-	-	-	-	LV041001000 052	1
7	Gabbia a rulli 24X28X11,9	Roller cage 24X28X11,9	-	-	-	-	LV022008000 020	2
8	Anello Seeger SW 27	Circlip SW 27	-	-	-	-	LV050002000 017	4
9	Ingranaggio conduttore 5/6A	Drive gear 5/6A	-	-	-	-	LV041001000 060	1
10	Ingranaggio conduttore 3A	Drive gear 3A	-	-	-	-	LV041001000 051	1
11	Gabbia a rulli 24X28X17	Roller cage 24X28X17	-	-	-	-	LV022008000 019	1
12	Albero frizione	Clutch shaft	-	-	-	-	LV040001000 029	1
13	Cuscinetto a rulli 17X47X14	Roller bearing 17X47X14	-	-	-	-	LV022002V0 7171	1
14	Rosetta 25,5X35X0,5	Washer 25,5X35X0,5	-	-	-	-	LV033001V1 6451	1
15	Anello Seeger 17mm DIN471	Circlip 17mm DIN471	-	-	-	-	LV050003V1 0134	2
16	Guarnizione 10X30X7	Gasket 10X30X7	-	-	-	-	LV055002V1 2030	1
17	Rosetta PS 17X24X0,5	Washer PS 17X24X0,5	-	-	-	-	LV033001V1 5091	1
18	Cuscinetto a sfere 17X47X14	Ball bearing 17X47X14	-	-	-	-	LV022001V0 1171	1
19	Rasamento 17,2X34X2	Thrust washer 17,2X34X2	-	-	-	-	LV033001000 026	1
20	Ingranaggio condotto 2A	Driven gear 2A	-	-	-	-	LV041001000 055	1



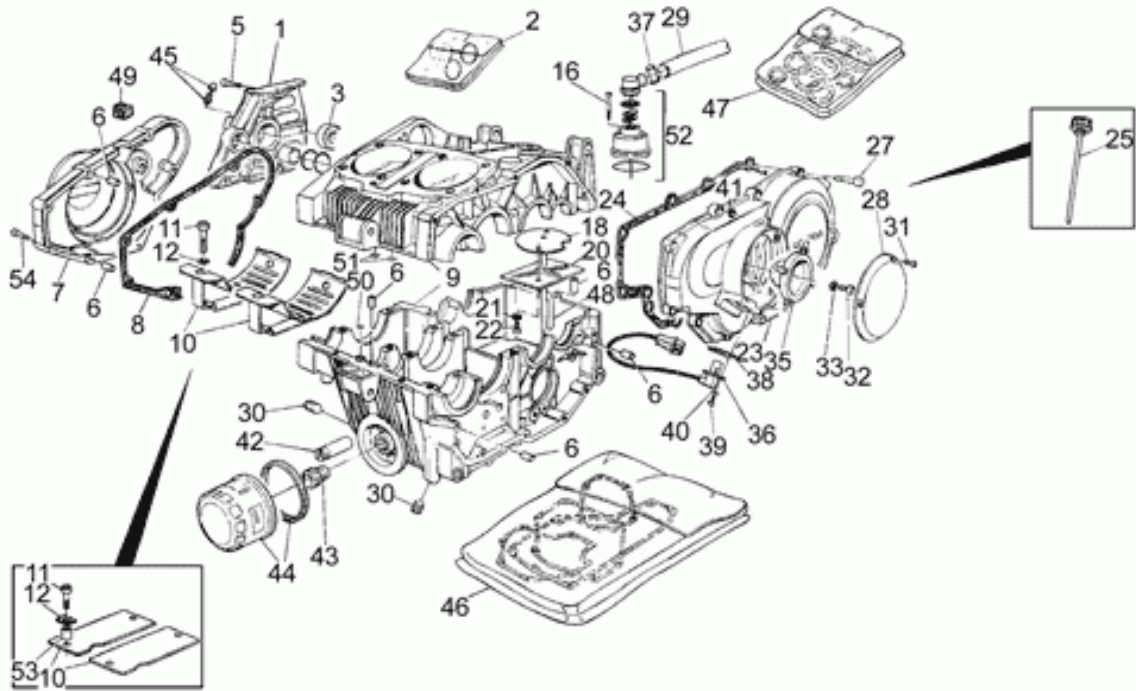
Ref.	Descrizione	Description	Year	I.M.	Country	Version	Code	Qty
21	Gabbia a rulli 24X28X13	Roller cage 24X28X13	-	-	-	-	LV022008000 021	4
22	Rosetta 24,2X34X1,75	Washer 24,2X34X1,75	-	-	-	-	LV033001000 027	1
23	Ingranaggio condotto 4A	Driven gear 4A	-	-	-	-	LV041001000 057	1
24	Ingranaggio condotto 6A	Driven gear 6A	-	-	-	-	LV041001000 059	1
25	Ingranaggio condotto 5A	Driven gear 5A	-	-	-	-	LV041001000 058	1
26	Ingranaggio condotto 3A	Driven gear 3A	-	-	-	-	LV041001000 056	1
27	Rasamento	Thrust washer	-	-	-	-	LV033001000 032	1
28	Ingranaggio condotto 1A	Driven gear 1A	-	-	-	-	LV041001000 054	1
29	Albero secondario	Driven shaft	-	-	-	-	LV040001000 031	1
30	Cuscinetto a rulli 25X52X18	Roller bearing 25X52X18	-	-	-	-	LV022002V1 2251	1
31	Anello Seeger 52mm DIN472	Circlip 52mm DIN472	-	-	-	-	LV050003V1 0299	1
32	Paraolio	Oil seal	-	-	-	-	LV055002000 023	1
33	Anello Seeger RW 24	Circlip RW 24	-	-	-	-	LV050002000 018	1
34	Pignone Z16	Pinion Z16	-	-	-	-	LV041002000 018	1
35	Anello Seeger 24mm DIN471	Circlip 24mm DIN471	-	-	-	-	LV050002000 009	1
36	Rosetta PS 37X47X0,5	Washer PS 37X47X0,5	-	-	-	-	LV033001V1 7732	1



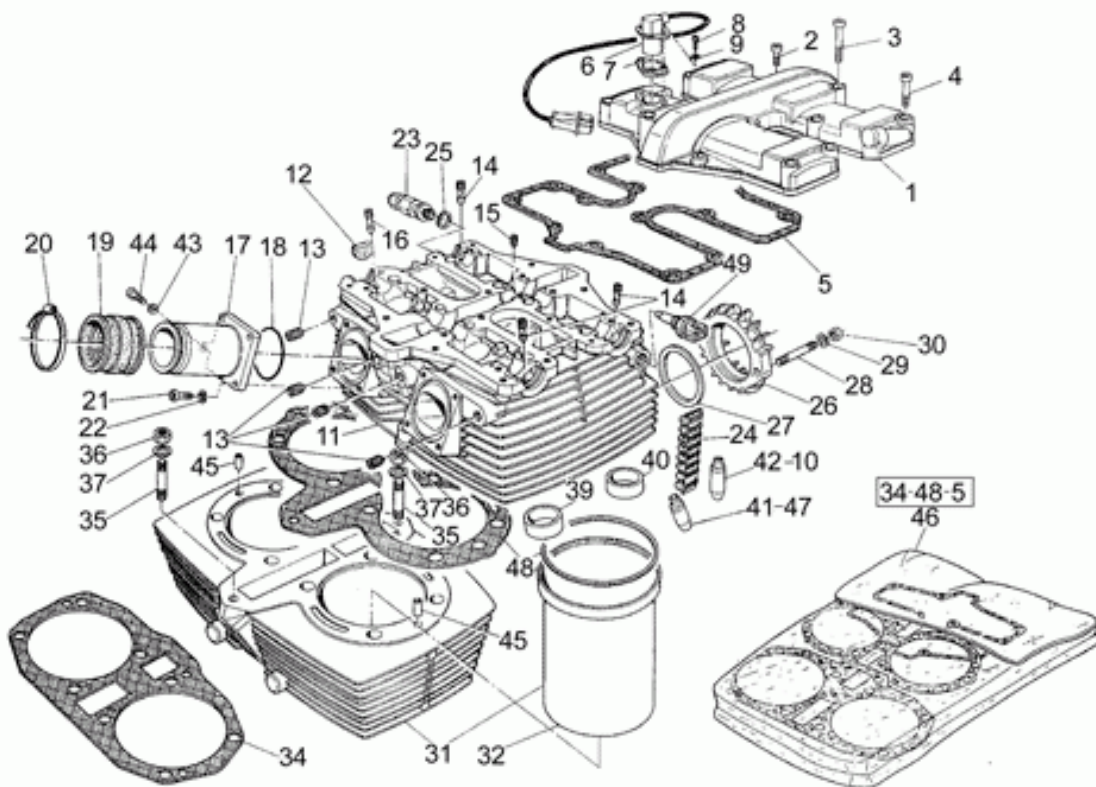
Ref.	Descrizione	Description	Year	I.M.	Country	Version	Code	Qty
1	Coperchio frizione	Clutch cover	-	-	-	-	LV025003000 036	1
2	Guarnizioni frizione-serie	Clutch set gasket	-	-	-	-	LV047002000 052	1
3	Cuscinetto a sfere 20X47X14	Ball bearing 20X47X14	-	-	-	-	LV022001V0 4201	1
5	Vite TCEI M6X40	Hex socket screw M6X40	-	-	-	-	LV030003V6 2163	3
6	Grano di riferimento	Locating dowel	-	-	-	-	LV021006V0 1177	6
7	Coperchio volano	Flywheel cover	-	-	-	-	LV025003000 022	1
8	Guarnizione	Gasket	-	-	-	-	LV055001000 045	1
9	Carter motore	Crankcase	-	-	-	-	LV025004000 014	1
10	Paratia olio	Oil bulhead	-	-	-	-	LV058003V2 0039	2
11	Vite TE M6X16	Hex screw M6X16	-	-	-	-	LV030002V3 2063	4
12	Fascetta	Hose clamp	-	-	-	-	LV037001V8 4700	4
16	Vite TCEI M5X35	Screw TCEI M5X35	-	-	-	-	LV030007000 006	2
18	Paratia	Protection	-	-	-	-	LV055004000 013	1
20	Paraspruzzi	Splash guard	-	-	-	-	LV055004000 014	1
21	Rosetta dentellata d.5	Notched washer d.5	-	-	-	-	LV033001V3 1005	2
22	Vite TE M5X16	Hex screw M5X16	-	-	-	-	LV030002V3 8053	2
23	Coperchio frizione	Clutch cover	-	-	-	-	LV025003000 035	1
24	Guarnizione	Gasket	-	-	-	-	LV055001000 046	1
25	Astina olio	Oil level rod	-	-	-	-	LV061009000 116	1
27	Vite TCEI M6X25	Screw TCEI M6X25	-	-	-	-	LV030003V6 2103	12
28	Coperchio ispezione	Inspection cover	-	-	-	-	LV058001V1 0157	1



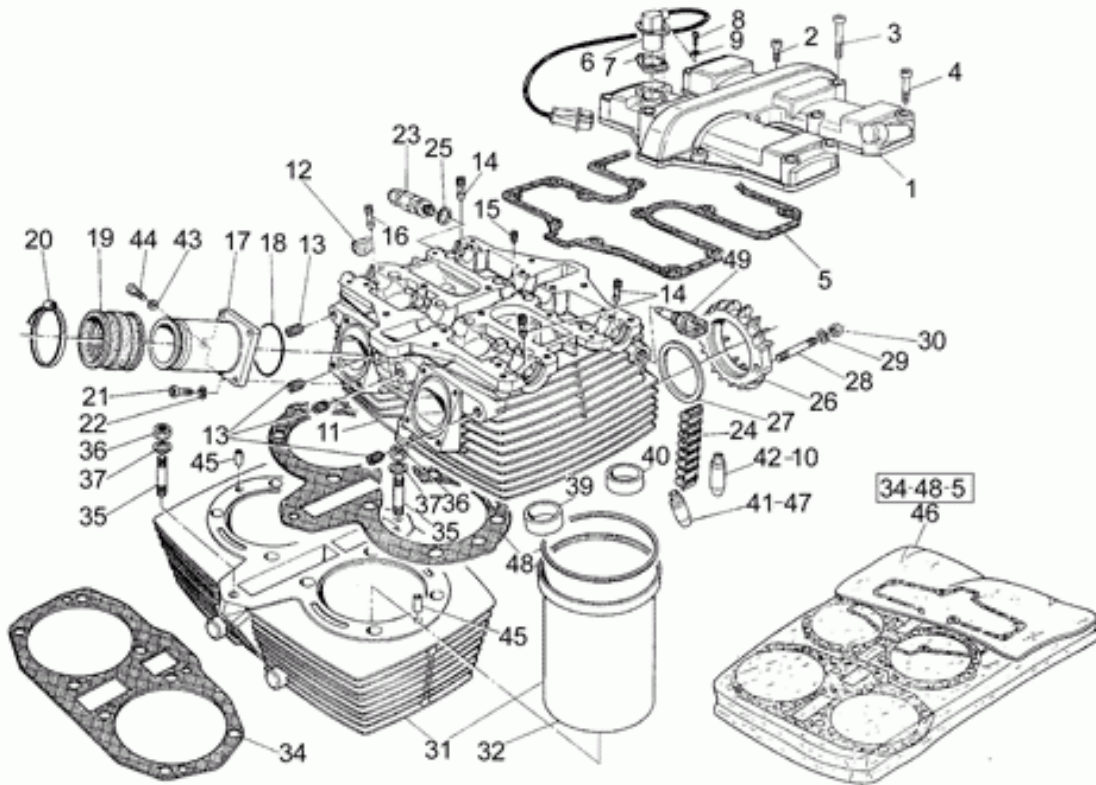
Ref.	Descrizione	Description	Year	I.M.	Country	Version	Code	Qty
29	Tubo	Pipe	-	-	-	-	LV036002000 018	1
30	Ugello 1/4 Gas	Nozzle 1/4 Gas	-	-	-	-	LV030016000 017	3
31	Vite M5X12	Screw M5X12	-	-	-	-	LV030003V6 8233	3
32	Dado M15X1	Nut M15X1	-	-	-	-	LV030016000 019	1
33	Rosetta PS 16X22X1	Washer PS 16X22X1	-	-	-	-	LV033001000 062	1
35	Rotore	Rotor	-	-	-	-	LV021003000 030	1
36	Sensore SEN 8K	Sensor SEN 8K	-	-	-	-	LV077003000 009	1
37	Fascetta 14/24	Hose clamp 14/24	-	-	-	-	LV037001V1 0100	2
38	Distanziale	Spacer	-	-	-	-	LV055001000 065	1
39	Vite TCEI M5X16	Hex socket screw M5X16	-	-	-	-	LV030003V6 8243	2
40	Rosetta Grower d.5	Washer d.5	-	-	-	-	LV033001V2 0005	2
41	Rosetta 6X10X1	Washer 6X10X1	-	-	-	-	LV033001V1 1104	3
42	Valvola pressione	Pressure valve	-	-	-	-	LV052005000 020	1
43	Grano M18/16X1,5	Dowel M18/16X1,5	-	-	-	-	LV030016000 014	1
44	Filtro olio	Oil filter	-	-	-	-	LV062001000 025	1
45	Spurgo	Bleed valve	-	-	-	-	LV047002V1 9119	1
46	Guarnizioni-serie	Gasket set	-	-	-	-	LV055001000 043	1
47	Paraoli-serie	Oil seals - set	-	-	-	-	LV055002000 035	1
48	Tubo sfiato	Breather pipe	-	-	-	-	LV034002000 041	1
49	Gommino	Rubber spacer	-	-	-	-	LV050003000 017	1
50	O-ring 2056	O-ring 2056	-	-	-	-	LV055001V3 0014	1



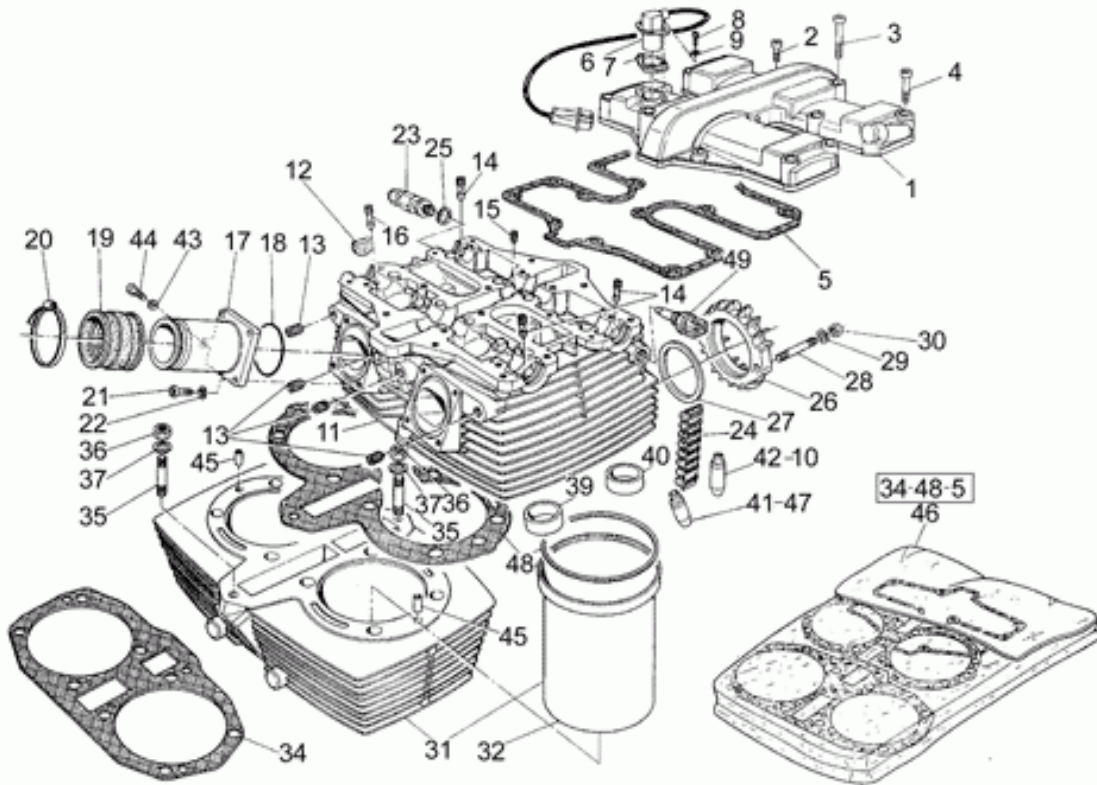
Ref.	Descrizione	Description	Year	I.M.	Country	Version	Code	Qty
51	O-ring 108	O-ring 108	-	-	-	-	LV055001V3 0008	2
52	Sfiato	Breather	-	-	-	-	LV055004000 020	1
53	Distanziale	Spacer	-	-	-	-	LV034005V1 0227	4
54	Vite TCEI M6X35	Hex socket screw M6X35	-	-	-	-	LV030003V6 2143	6



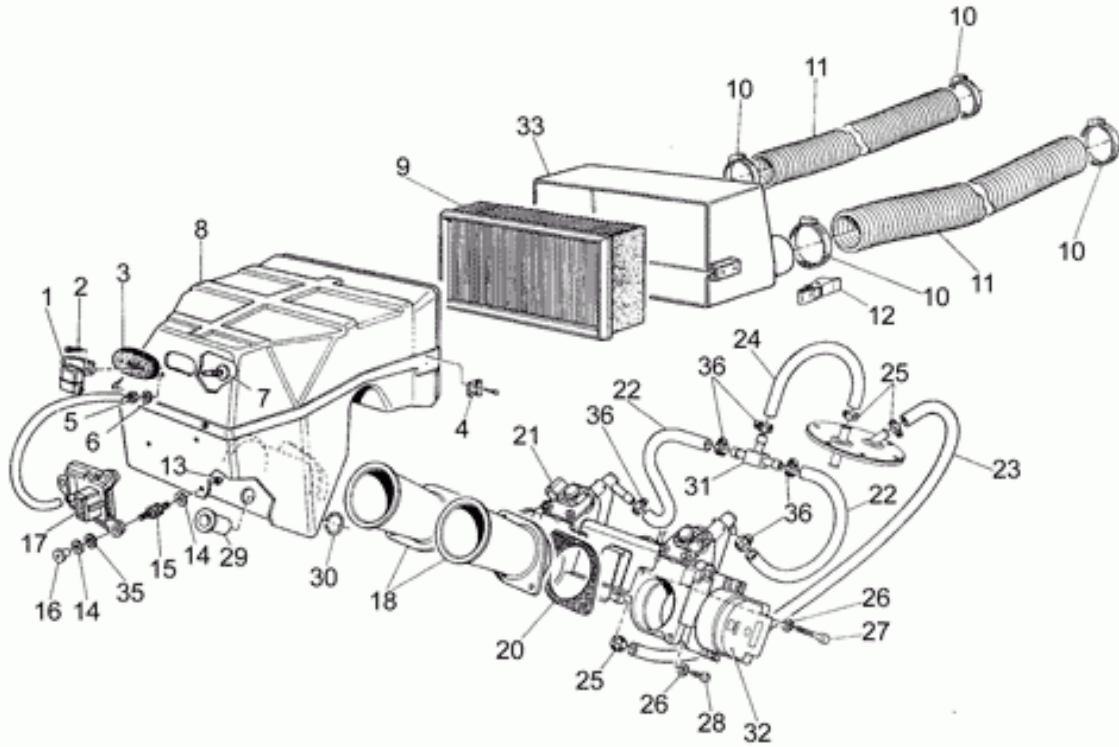
Ref.	Descrizione	Description	Year	I.M.	Country	Version	Code	Qty
1	Coperchio valvole	Valves cover	-	-	-	-	LV025003000 031	1
2	Vite TCEI M6X20	Hex socket screw M6X20	-	-	-	-	LV030003V6 2083	2
3	Vite TCEI M6X50	Hex socket screw M6X50	-	-	-	-	LV030003V6 2183	2
4	Vite M6X35	Screw M6X35	-	-	-	-	LV030003V6 2143	11
5	Guarnizione	Gasket	-	-	-	-	LV055001000 044	1
6	Sensore SEN 8K	Sensor SEN 8K	-	-	-	-	LV077003000 009	1
7	Gommino supporto sensore	Rubber sensor support	-	-	-	-	LV055001000 055	1
8	Vite TC 4X10	Special cap screw 4X10	-	-	-	-	LV030003V1 1031	2
9	Rosetta 4,3X9X0,8	Washer 4,3X9X0,8	-	-	-	-	LV033001V1 0340	2
10	Guidavalvola scarico	Exhaust valve guide	-	-	-	-	LV021003000 028	4
11	Testa cpl.	Head cpl.	-	-	-	-	LV025001000 014	1
12	Gommino	Rubber spacer	-	-	-	-	LV050004000 010	4
13	Grano M1/8	Dowel M1/8	-	-	-	-	LV030016000 020	4
14	Vite	Screw	-	-	-	-	LV030011000 011	3
15	Vite	Screw	-	-	-	-	LV030011000 014	1
16	Vite	Screw	-	-	-	-	LV030011000 013	1
17	Raccordo	Union	-	-	-	-	LV029001000 011	2
18	O-ring 3175	O-ring 3175	-	-	-	-	LV055001000 050	2
19	Manicotto corpo farfallato	Throttle body hose	-	-	-	-	LV036002000 015	2
20	Fascetta 40-60	Hose clamp 40-60	-	-	-	-	LV037001000 020	4
21	Vite TCEI M6X20	Hex socket screw M6X20	-	-	-	-	LV030003V6 2083	8



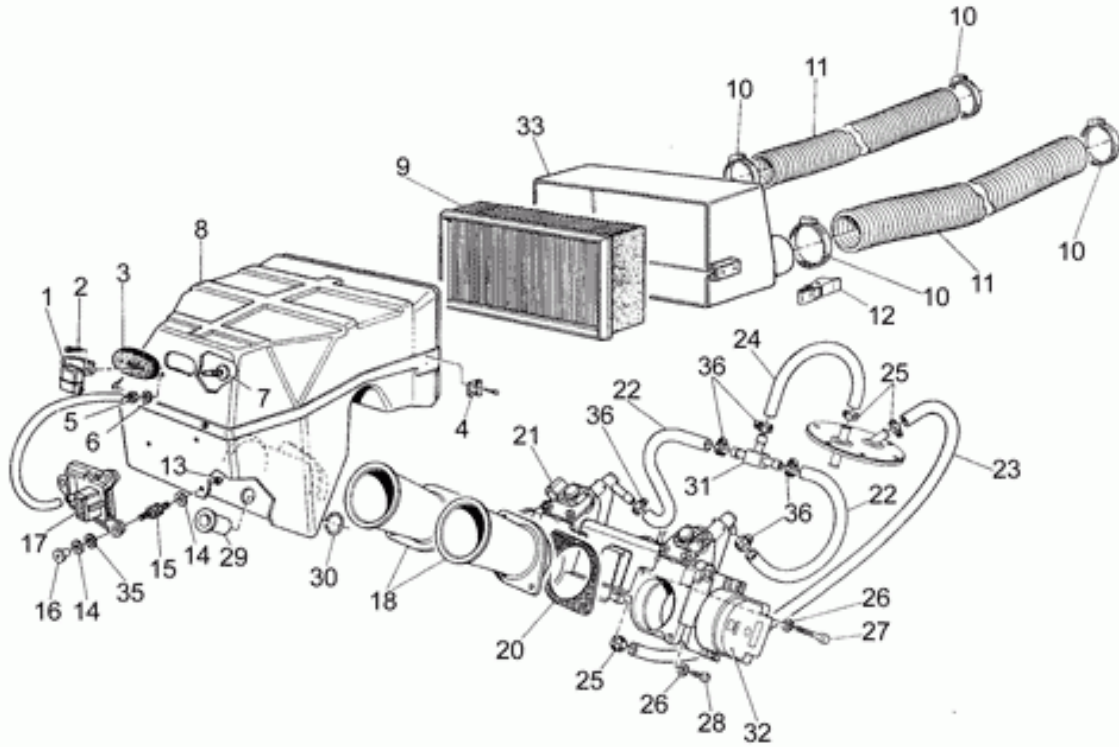
Ref.	Descrizione	Description	Year	I.M.	Country	Version	Code	Qty
22	Rosetta elastica 6 mm	Spring washer 6 mm	-	-	-	-	LV033001000 013	8
23	Raccordo	Union	-	-	-	-	LV037002000 018	1
24	Gommino	Rubber spacer	-	-	-	-	LV050003000 022	8
25	Rosetta in rame 14,25X23X1	Copper washer 14,25X23X1	-	-	-	-	LV033001V1 4124	1
26	Ghiera	Ring nut	-	-	-	-	LV030020000 020	2
27	Guarnizione scarico	Exhaust pipe gasket	-	-	-	-	LV055001V1 0138	2
28	Prigioniero M7X38	Stud bolt M7X38	-	-	-	-	LV031001V3 8502	4
29	Rosetta Grower d.7	Washer d.7	-	-	-	-	LV033001V2 0007	4
30	Dado m.7	Nut m.7	-	-	-	-	LV030005V1 0147	4
31	Cilindro cpl.	Cylinder, complete	-	-	-	-	LV025002000 014	1
32	Canna cilindro	Cylinder liner	-	-	-	-	LV025002000 017	2
34	Guarnizione base cilindro	Cylinder base gasket	-	-	-	-	LV055001000 053	1
35	Prigioniero M8X44	Stud bolt M8X44	-	-	-	-	LV031001V3 3763	2
36	Dado M8	Nut M8	-	-	-	-	LV030005V9 0230	2
37	Rosetta 8,4X14X1,6	Washer 8,4X14X1,6	-	-	-	-	LV033001V1 2160	2
39	Sede valvola aspirazione	Intake valve seating	-	-	-	-	LV025001000 018	4
40	Sede valvola scarico	Exhaust valve seating	-	-	-	-	LV025001000 019	4
41	Guidavalvola aspirazione	Intake valve guide	-	-	-	-	LV021003000 016	4
42	Guidavalvola scarico	Exhaust valve guide	-	-	-	-	LV021003000 017	4
43	Rosetta 6X10X1	Washer 6X10X1	-	-	-	-	LV033001V1 1104	2
44	Vite TC M6X10	Special cap screw M6X10	-	-	-	-	LV030003V1 2033	2



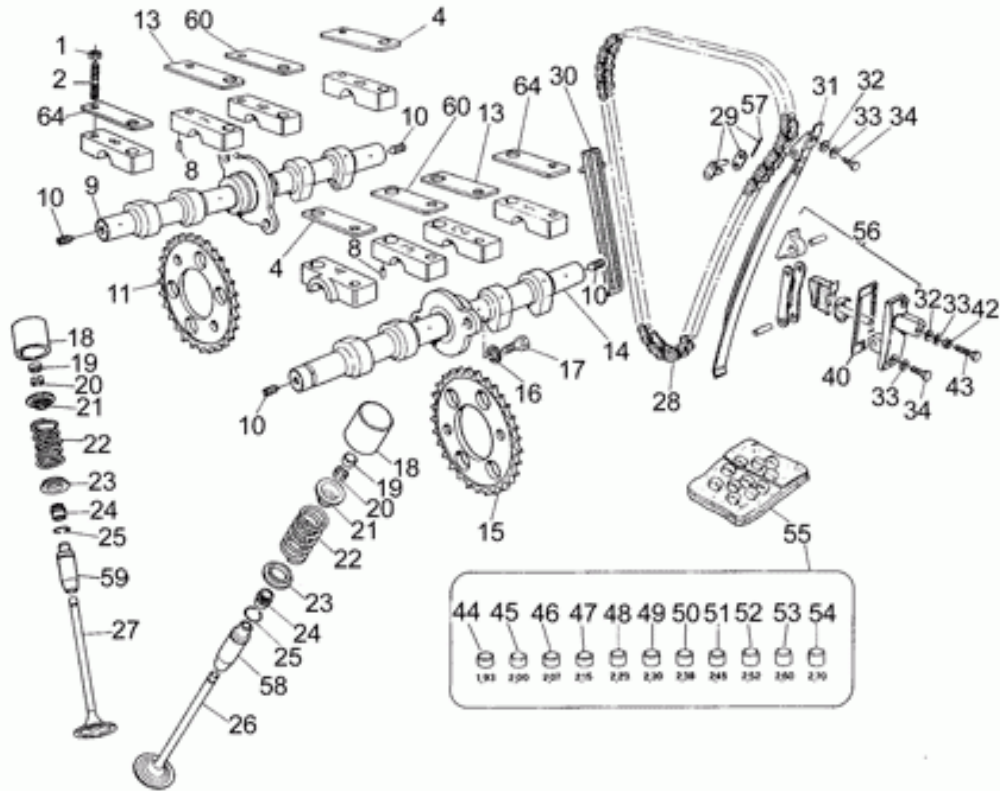
Ref.	Descrizione	Description	Year	I.M.	Country	Version	Code	Qty
45	Grano di riferimento	Locating dowel	-	-	-	-	LV021006V0 1177	4
46	Guarnizioni-serie testa	Cylinder head set gasket	-	-	-	668	LV055001000 042	1
	Guarnizioni-serie testa	Cylinder head set gasket	-	-	-	DIA	LV055001000 085	1
47	Guidavalvola aspirazione	Intake valve guide	-	-	-	-	LV021003000 027	4
48	Serie guarnizioni smeriglio	Gask.set thermic unit	-	-	-	668	LV019001000 004	1
	Serie guarnizioni smeriglio	Gask.set thermic unit	-	-	-	DIA	LV019001000 005	1
49	Sensore temperatura	Temp. Sensor	-	-	-	-	LV077003000 004	1



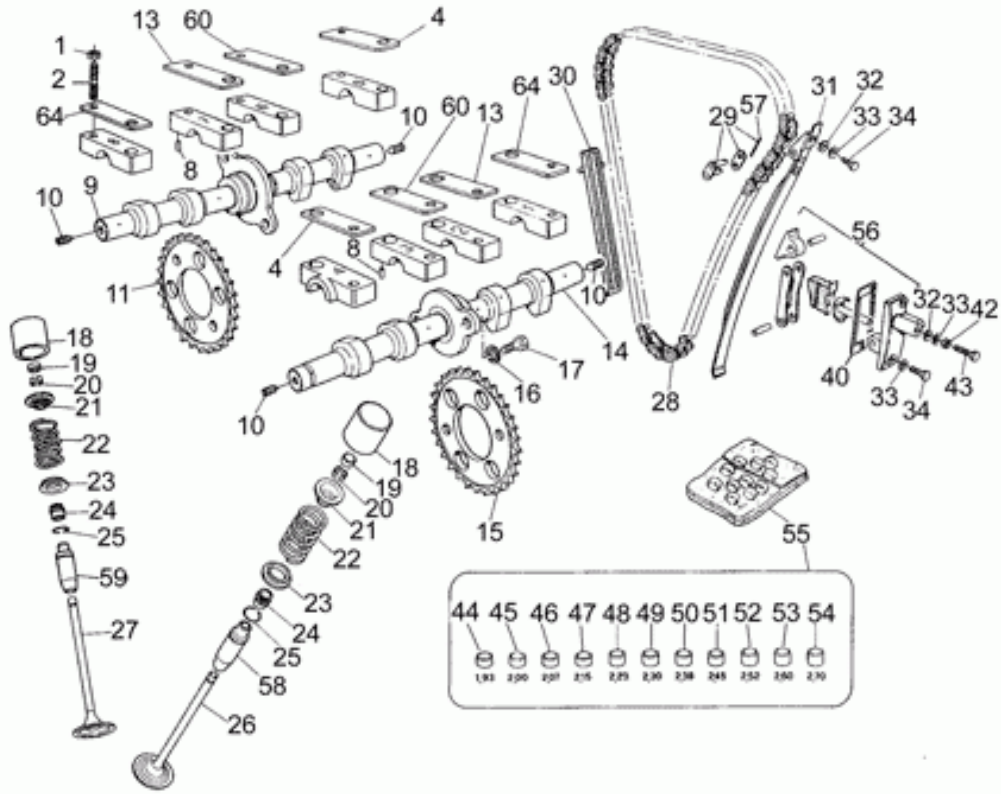
Ref.	Descrizione	Description	Year	I.M.	Country	Version	Code	Qty
1	Sensore temperatura aria	Air temp. Sensor	-	-	-	-	LV077003000 003	1
2	Vite TC 4X10	Special cap screw 4X10	-	-	-	668	LV030003V1 1031	2
	Vite TC 3X12	Screw TC 3X12	-	-	-	M3	LV030003V1 0373	2
3	Gommino supporto sensore	Rubber sensor support	-	-	-	668	LV050003000 026	1
	Gommino supporto sensore	Rubber sensor support	-	-	-	M3	LV050003000 030	1
4	Piastrina	Plate	-	-	-	-	LV061009000 079	2
5	Dado M6	Nut M6	-	-	-	-	LV030005V1 1123	1
6	Rosetta d.5	Washer d.5	-	-	-	-	LV033001V2 0006	1
7	Bussola	Bush	-	-	-	-	LV021003000 021	1
8	Cassa filtro	Air box	-	-	-	-	LV062001000 028	1
9	Filtro aria	Air filter	-	-	-	-	LV062001000 027	1
10	Fascetta 25-40	Hose clamp 25-40	-	-	-	-	LV037001V1 0800	4
11	Manicotto presa aria	Air intake hose	-	-	-	-	LV036002000 024	2
12	Pomello chiusura	Fastening knob	-	-	-	-	LV061009000 078	2
13	Dado M4	Nut M4	-	-	-	-	LV030005V1 0083	3
14	Rosetta 4,3X14X0,8	Washer 4,3X14X0,8	-	-	-	-	LV033001000 054	6
15	Silent-block 15X10	Silent-block 15X10	-	-	-	-	LV050003000 027	3
16	Distanziale	Spacer	-	-	-	-	LV034003000 056	3
17	Sensore pressione	Pressure sensor	-	-	-	-	LV077003000 002	1
18	Manicotto presa aria	Air intake hose	-	-	-	-	LV062001000 038	2
20	Guarnizione	Gasket	-	-	-	-	LV055001000 054	4



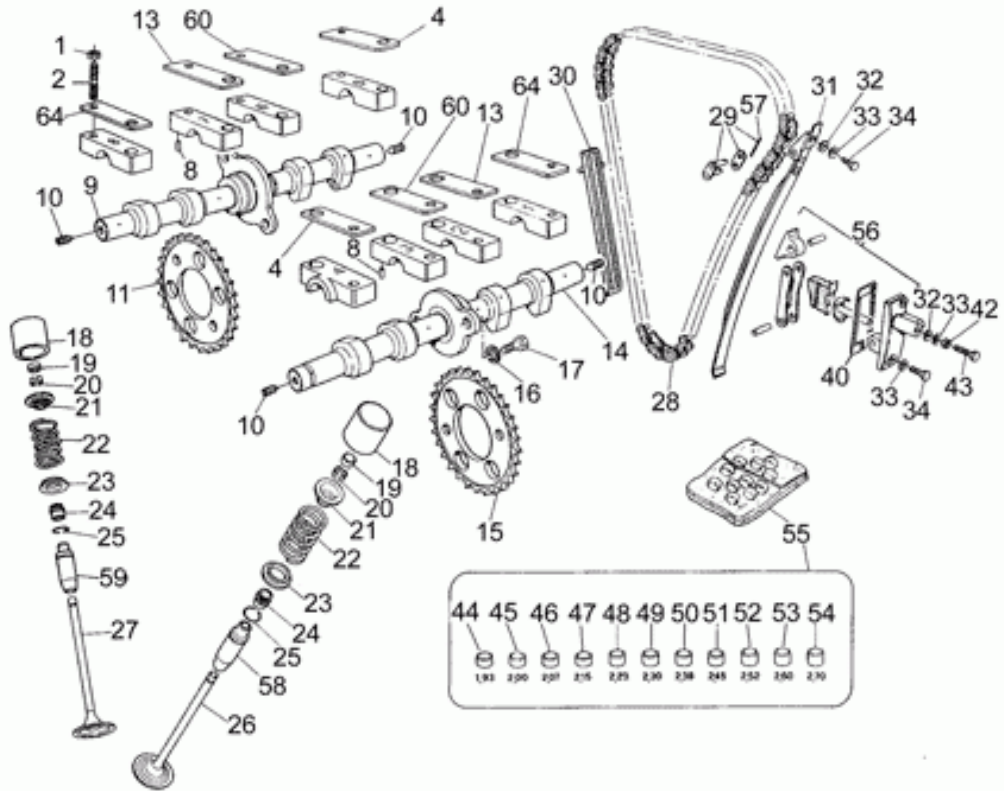
Ref.	Descrizione	Description	Year	I.M.	Country	Version	Code	Qty
21	Corpo farfallato cpl.	Throttle body cpl.	-	-	-	-	LV062005000 010	1
22	Tubo benz.	Fuel pipe	-	-	-	-	LV002006000 039	1
23	Tubo benz.	Fuel pipe	-	-	-	-	LV002006000 039	1
24	Tubo benz.	Fuel pipe	-	-	-	-	LV002006000 039	1
25	Fascetta 13 mm	Hose clamp 13 mm	-	-	-	-	LV037001000 014	3
26	Rosetta Grower d.5	Washer d.5	-	-	-	-	LV033001V2 0005	3
27	Vite TCEI M5X40	Hex socket screw M5X40	-	-	-	-	LV030003V6 8303	2
28	Vite TE M5X20	Hex screw M5X20	-	-	-	-	LV030002V3 8063	2
29	Raccordo sfiato	Breather pipe union	-	-	-	-	LV037002000 017	1
30	Anello Seeger ZA-18	Circlip ZA-18	-	-	-	-	LV050002000 014	1
31	Raccordo a "T"	Tee union	-	-	-	-	LV037002000 019	1
32	Potenziometro	Potentiometer	-	-	-	-	LV062005000 011	1
33	Coperchio cassa filtro	Filter housing cover	-	-	-	-	LV062001000 029	1
35	Rosetta dentellata d.4	Notched washer d.4	-	-	-	-	LV033001V3 1004	3
36	Fascetta 14mm	Hose clamp 14mm	-	-	-	-	LV037001000 015	5



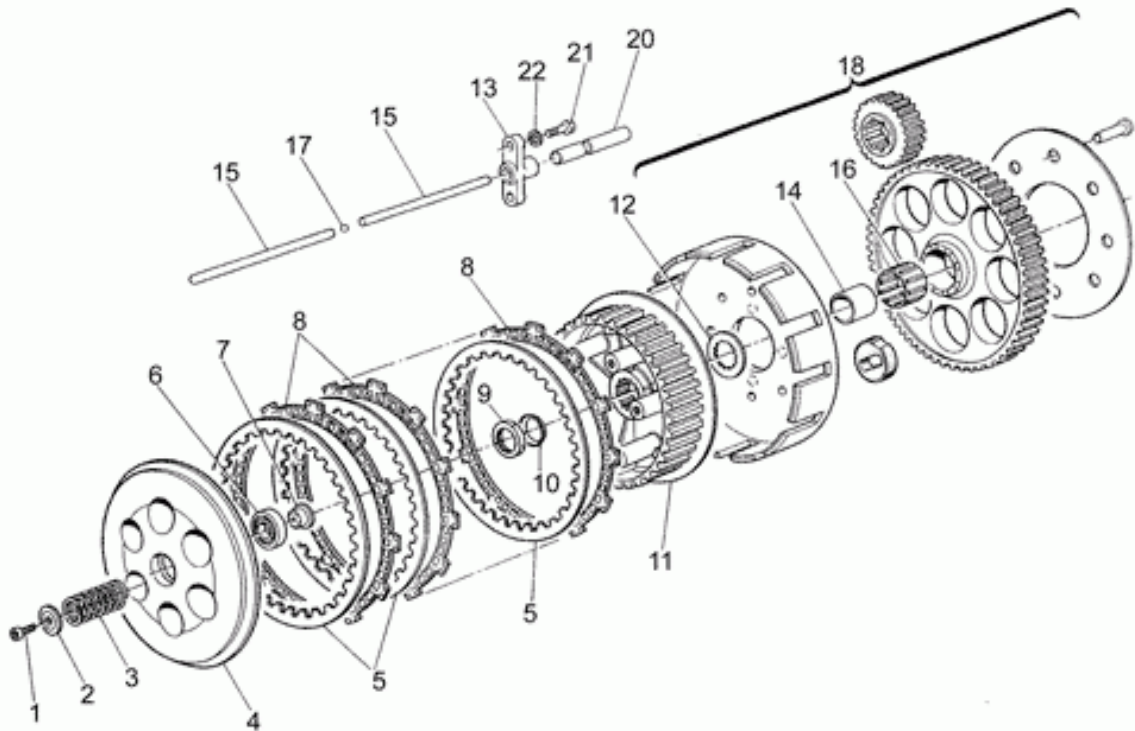
Ref.	Descrizione	Description	Year	I.M.	Country	Version	Code	Qty
1	Dado M6	Nut M6	-	-	-	-	LV030005V1 0123	8
2	Prigioniero M6X36	Stud bolt M6X36	-	-	-	-	LV031002000 006	8
4	Piastrina 4-5	Plate 4-5	-	-	-	-	LV033002000 017	2
8	Spina 3X8	Pin 3X8	-	-	-	-	LV034001000 002	16
9	Albero a camme scarico	Exhaust camshaft	-	-	-	-	LV043004000 007	1
10	Grano M6X6	Dowel M6X6	-	-	-	-	LV030016000 013	4
11	Pignone	Pinion	-	-	-	-	LV041001000 042	1
13	Piastrina 2-7	Plate 2-7	-	-	-	-	LV033002000 020	2
14	Albero a camme aspirazione	Intake camshaft	-	-	-	-	LV043004000 008	1
15	Pignone	Pinion	-	-	-	-	LV041001000 041	1
16	Rosetta dentellata d.7	Notched washer d.7	-	-	-	-	LV033001V3 1007	4
17	Vite TE M7X10	Hex screw M7X10	-	-	-	-	LV030002V3 8383	4
18	Bicchierino valvola	Valve lifter bucket	-	-	-	-	LV052005000 038	8
19	Pastiglie valvole 2,45mm	Valves pads 2,45mm	-	-	-	-	LV052005V0 7084	8
20	Semicono SK6	Half-cone SK6	-	-	-	-	LV052005000 027	16
21	Scodellino	Cup	-	-	-	-	LV052005000 028	8
22	Molla valvola	Valve spring	-	-	-	-	LV050001000 021	8
23	Scodellino	Cup	-	-	-	-	LV052005000 029	8
24	Gommino	Rubber spacer	-	-	-	-	LV055002000 013	8
25	Anello di fermo	Stop ring	-	-	-	-	LV050002000 016	8
26	Valvola aspirazione	Intake valve	-	-	-	-	LV052005000 039	4



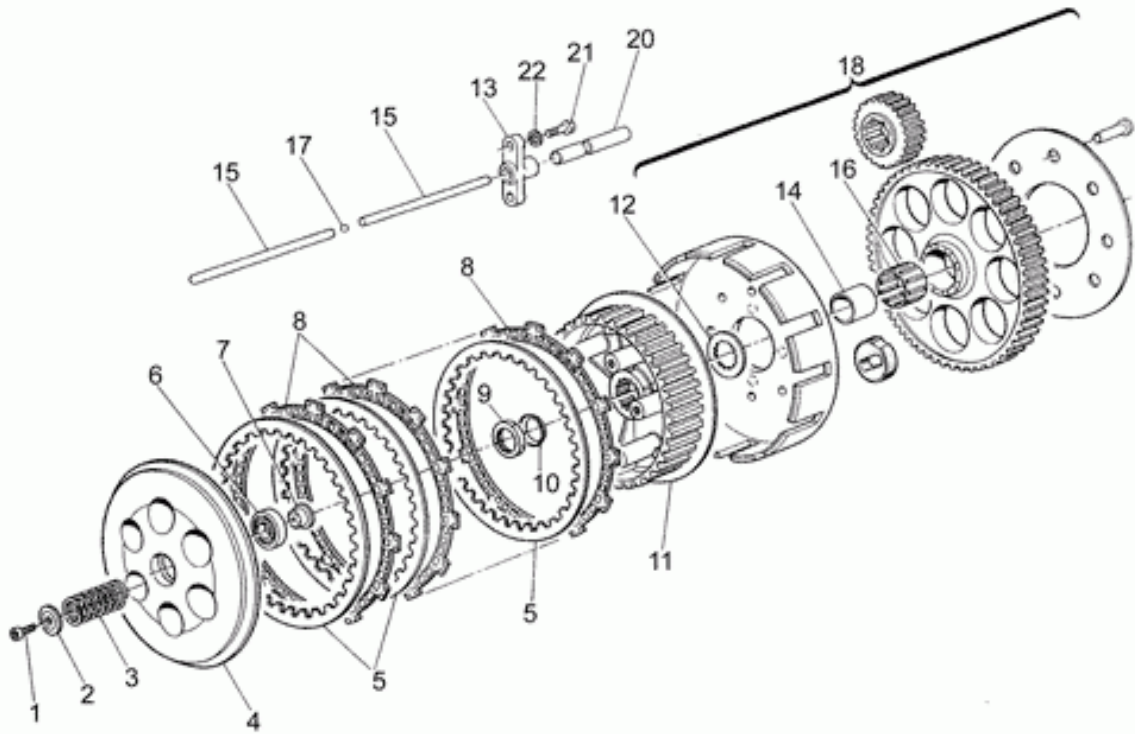
Ref.	Descrizione	Description	Year	I.M.	Country	Version	Code	Qty
27	Valvola scarico	Exhaust valve	-	-	-	-	LV052005000 040	4
28	Catena distribuzione	Camshaft chain	-	-	-	-	LV041003V1 1256	1
29	Maglia di giunzione	Connecting link	-	-	-	-	LV041003V9 1256	1
30	Pattino tendicatena ant.	Front chain tens sliding block	-	-	-	-	LV031003000 004	1
31	Pattino tendicatena post.	Rear chain tens sliding block	-	-	-	-	LV031003V1 0154	1
32	Rosetta in rame 6X12X1,5	Copper washer 6X12X1,5	-	-	-	-	LV033001V1 1014	2
33	Rosetta 6,4X12,5X1,6	Washer 6,4X12,5X1,6	-	-	-	-	LV033001V1 1010	4
34	Vite TE M6X20	Hex screw M6X20	-	-	-	-	LV030002V3 2083	3
40	Guarnizione	Gasket	-	-	-	-	LV055001V2 0093	1
42	Dado M6	Nut M6	-	-	-	-	LV030005V1 0123	1
43	Vite TE M6X35	Hex screw M6X35	-	-	-	-	LV030002V3 2143	1
44	Pastiglie valvole 1,93mm	Valves pads 1,93mm	-	-	-	-	LV052005V0 7077	8
45	Pastiglie valvole 2,00mm	Valves pads 2,00mm	-	-	-	-	LV052005V0 7078	8
46	Pastiglie valvole 2,07mm	Valves pads 2,07mm	-	-	-	-	LV052005V0 7079	8
47	Pastiglie valvole 2,15mm	Valves pads 2,15mm	-	-	-	-	LV052005V0 7080	8
48	Pastiglie valvole 2,23mm	Valves pads 2,23mm	-	-	-	-	LV052005V0 7081	8
49	Pastiglie valvole 2,30mm	Valves pads 2,30mm	-	-	-	-	LV052005V0 7082	8
50	Pastiglie valvole 2,38mm	Valves pads 2,38mm	-	-	-	-	LV052005V0 7083	8
51	Pastiglie valvole 2,45mm	Valves pads 2,45mm	-	-	-	-	LV052005V0 7084	8
52	Pastiglie valvole 2,52mm	Valves pads 2,52mm	-	-	-	-	LV052005V0 7085	8
53	Pastiglie valvole 2,60mm	Valves pads 2,60mm	-	-	-	-	LV052005V0 7086	8



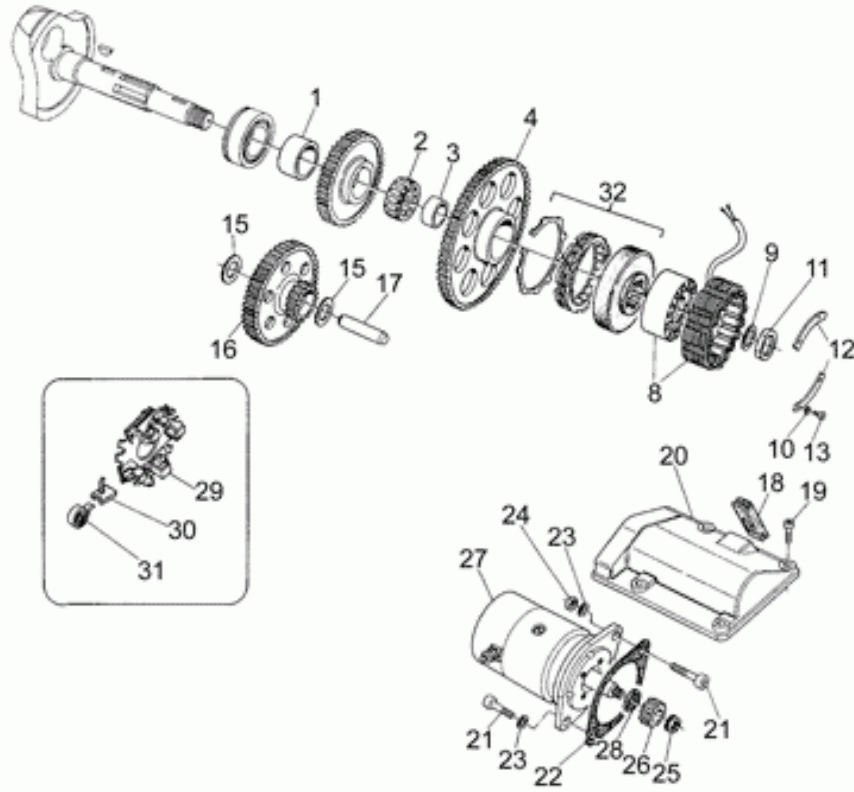
Ref.	Descrizione	Description	Year	I.M.	Country	Version	Code	Qty
54	Pastiglie valvole 2,70mm	Valves pads 2,70mm	-	-	-	-	LV052005V0 7087	8
55	Pastiglie valvole	Valves pads	-	-	-	-	LV052005000 037	1
56	Tendicatena distribuzione	Chain stretching drive	-	-	-	-	LV025003000 020	1
57	Spina	Pin	-	-	-	-	LV034001V1 0197	1
58	Guidavalvola aspirazione	Intake valve guide	-	-	-	-	LV021003000 027	4
59	Guidavalvola scarico	Exhaust valve guide	-	-	-	-	LV021003000 028	4
60	Piastrina 3-6	Plate 3-6	-	-	-	-	LV033002000 018	2
64	Piastrina	Plate	-	-	-	-	LV033002000 019	2



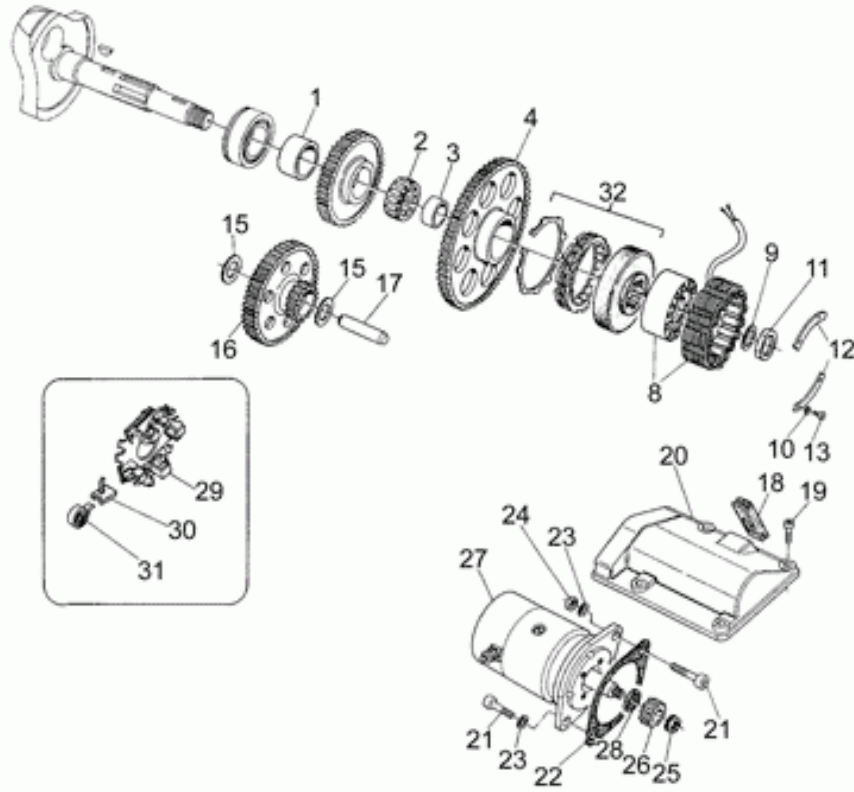
Ref.	Descrizione	Description	Year	I.M.	Country	Version	Code	Qty
1	Vite TCEI M6X20	Hex socket screw M6X20	-	-	-	-	LV030003V6 2083	6
2	Scodellino frizione	New cup type	-	-	-	-	LV046005000 030	6
3	Molla frizione	Clutch spring	-	-	-	-	LV050001000 026	6
4	Spingidisco frizione	Clutch pressure plate	-	-	-	M4	LV046005000 027	1
	Spingidisco frizione	Clutch pressure plate	-	-	-	M5	LV046005000 022	1
5	Disco frizione condotto	Driven clutch disc	-	-	-	-	LV046005000 026	8
6	Cuscinetto a sfere 12X28X8	Ball bearing 12X28X8	-	-	-	M5	LV022001V0 7121	1
7	Cuscinetto reggispinta	Thrust bearing	-	-	-	M4	LV022004000 020	1
	Boccola	Bush	-	-	-	M5	LV021006V0 2133	1
8	Disco frizione conduttore	Driving clutch disc	-	-	-	-	LV046005000 023	9
9	Dado M18X1	Nut M18X1	-	-	-	-	LV030016000 022	1
10	Rosetta	Washer	-	-	-	-	LV033001000 049	1
11	Mozzo frizione	Clutch hub	-	-	-	-	LV046005000 033	1
12	Rosetta 24,4X45X3,3	Washer 24,4X45X3,3	-	-	-	-	LV033001000 023	1
13	Supporto	Support	-	-	-	-	LV021001V0 8349	1
14	Distanziale	Spacer	-	-	-	-	LV034003000 038	1
15	Asta frizione	Push rod	-	-	-	M4	LV034002000 049	2
	Asta frizione	Push rod	-	-	-	M5	LV034002000 043	2
16	Gabbia a rulli K32X38X26TN	Roller cage K32X38X26TN	-	-	-	-	LV022008000 017	1
17	Sfera 6 mm	Ball 6 mm	-	-	-	-	LV022008000 035	1
18	Campana frizione cpl.	Clutch housing, complete	-	-	-	-	LV046005000 037	1



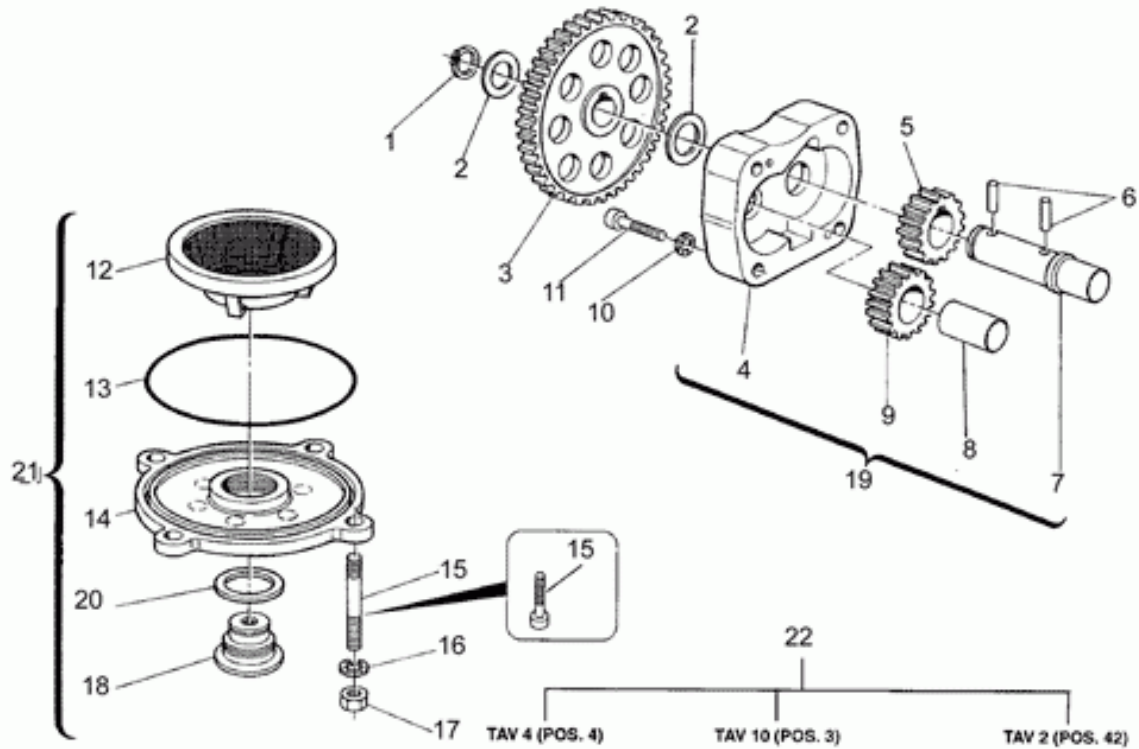
Ref.	Descrizione	Description	Year	I.M.	Country	Version	Code	Qty
20	Perno	Pin	-	-	-	-	LV034002000 039	1
21	Vite TE M6X20	Hex screw M6X20	-	-	-	-	LV030002V3 2083	2
22	Rosetta Grower d.5	Washer d.5	-	-	-	-	LV033001V2 0006	2



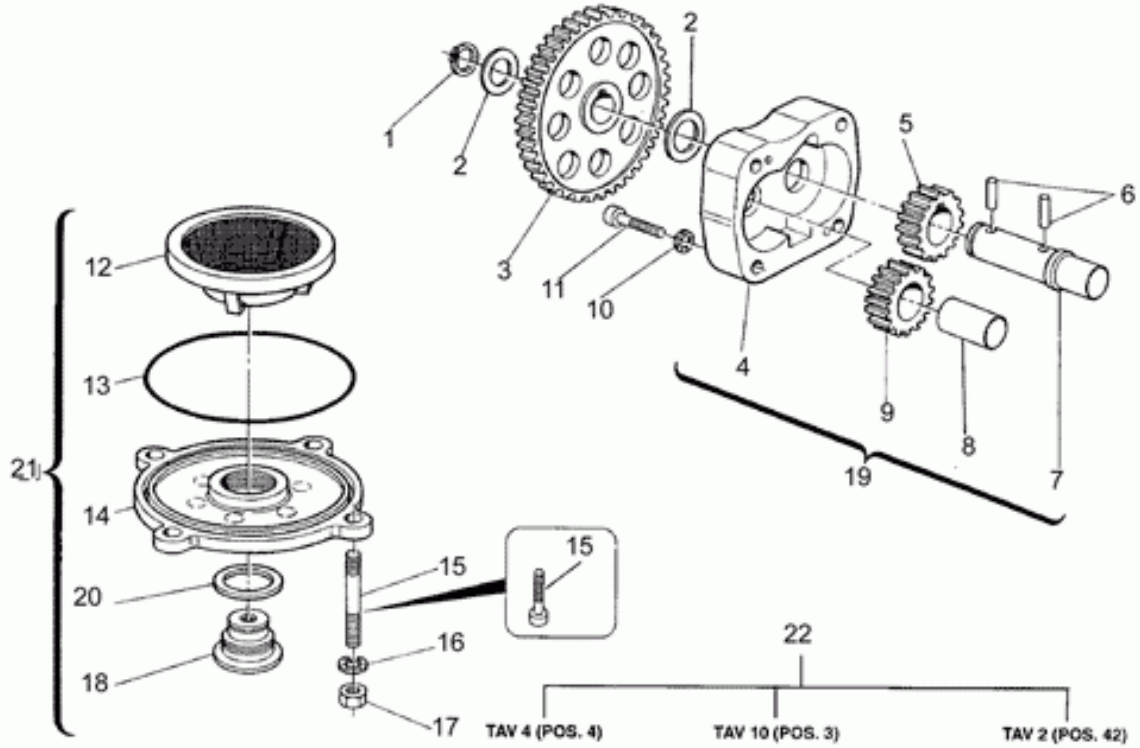
Ref.	Descrizione	Description	Year	I.M.	Country	Version	Code	Qty
1	Distanziale	Spacer	-	-	-	-	LV034003000 033	1
2	Gabbia a rulli K30X37X18	Roller cage K30X37X18	-	-	-	-	LV022008000 015	1
3	Distanziale int.	Internal spacer	-	-	-	-	LV022008000 016	1
4	Corona	Chain ring	-	-	-	-	LV041001000 036	1
8	Alternatore	Generator	-	-	-	-	LV073003000 021Y	1
9	Rosetta	Washer	-	-	-	-	LV033001000 049	1
10	Rosetta elastica 6 mm	Spring washer 6 mm	-	-	-	-	LV033001000 013	4
11	Dado M18X1	Nut M18X1	-	-	-	-	LV030016000 022	1
12	Fascetta	Hose clamp	-	-	-	-	LV037001V9 0600	2
13	Vite TCEI M6X14	Hex socket screw M6X14	-	-	-	-	LV030003V6 2053	4
15	Rosetta PS 10X16X1	Washer PS 10X16X1	-	-	-	-	LV033001V1 3031	2
16	Ingranaggio rinvio	Intermediate gear	-	-	-	-	LV041001000 039	1
17	Spina	Pin	-	-	-	-	LV034001V1 0127	1
18	Gommino	Rubber spacer	-	-	-	-	LV050004V0 6052	1
19	Vite TCEI M5X12	Hex socket screw M5X12	-	-	-	-	LV030003V6 8233	4
20	Coperchio motore avviamento	Starter motor cover	-	-	-	-	LV058001V1 0153	1
21	Vite TCEI M8X30	Hex socket screw M8X30	-	-	-	-	LV030003V6 3123	2
22	Guarnizione	Gasket	-	-	-	-	LV055001V2 0054	1
23	Rosetta Grower d.8	Washer d.8	-	-	-	-	LV033001V2 0008	2
24	Dado M8	Nut M8	-	-	-	-	LV030005V9 0230	1
25	Dado autobloc. M8X1,25	Self-locking nut M8X1,25	-	-	-	-	LV030005V3 6103	1



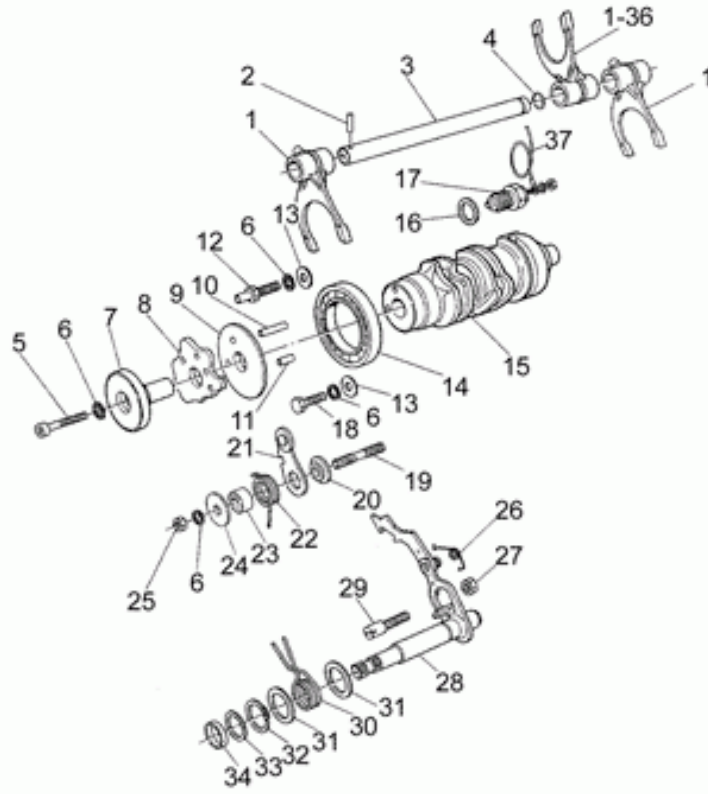
Ref.	Descrizione	Description	Year	I.M.	Country	Version	Code	Qty
26	Pignone	Pinion	-	-	-	-	LV041001000 035	1
27	Motorino avviamento	Starter motor	-	-	-	-	LV072002V0 1032	1
28	Guarnizione 15X24X5	Gasket 15X24X5	-	-	-	-	LV055002V1 3025	1
29	Portaspazzole cpl.	Brush holder cpl.	-	-	-	-	LV072002V0 8040	1
30	Spazzola	Brush	-	-	-	-	LV072002V0 9041	4
31	Molla	Spring	-	-	-	-	LV050001V9 0562	4
32	Ruota libera cpl.	Starter clutch assy.	-	-	-	-	LV040004000 006	1



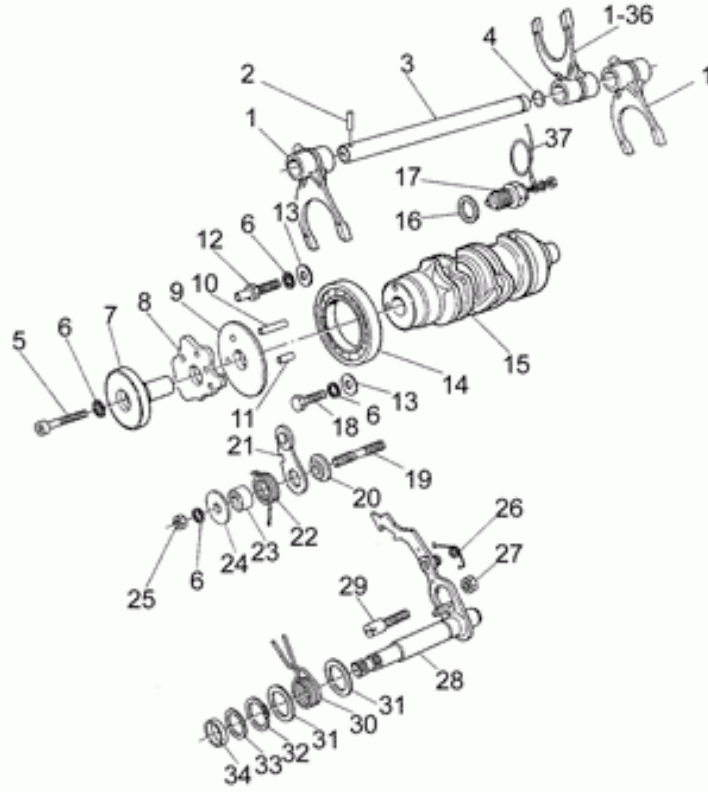
Ref.	Descrizione	Description	Year	I.M.	Country	Version	Code	Qty
1	Anello Seeger 12mm DIN471	Circlip 12mm DIN471	-	-	-	-	LV050003V1 0124	1
2	Rosetta PS 12X18X0,5	Washer PS 12X18X0,5	-	-	-	-	LV033001V1 3591	2
3	Pignone comando pompa olio	Oil pump control pinion	-	-	-	M1	LV041001000 065	1
	Pignone comando pompa olio	Oil pump control pinion	-	-	-	M6	LV041001V1 1309	1
4	Corpo pompa olio	Oil pump housing	-	-	-	-	LV025003000 024	1
5	Ingranaggio	Gear	-	-	-	-	LV041001000 037	1
6	Spina 4X13,5	Pin 4X13,5	-	-	-	-	LV034001V1 0110	2
7	Albero pompa olio	Oil pump shaft assy.	-	-	-	-	LV040001000 022	1
8	Albero ingranaggio folle	Free pinion shaft	-	-	-	-	LV040001000 023	1
9	Ingranaggio folle	Neutral gear	-	-	-	-	LV041001000 038	1
10	Rosetta dentellata d.5	Notched washer d.5	-	-	-	-	LV033001V3 1005	4
11	Vite TCEI M5X20	Hex socket screw M5X20	-	-	-	-	LV030003V6 8623	4
12	Filtro olio	Oil filter	-	-	-	-	LV062001000 018	1
13	O-ring 3256	O-ring 3256	-	-	-	-	LV055001V3 0051	1
14	Coperchio filtro olio	Oil filter cover	-	-	-	-	LV025003000 027	1
15	Prigioniero M6X30	Stud bolt M6X30	-	-	-	-	LV031001V2 2122	4
16	Rosetta dentellata d.6	Notched washer d.6	-	-	-	-	LV033001V3 1006	4
17	Dado M6	Nut M6	-	-	-	-	LV030005V1 0123	4
18	Tappo M22X1,5	Plug M22X1,5	-	-	-	-	LV055004000 012	1
19	Pompa olio cpl.	Oil pump assy.	-	-	-	-	LV025003000 032	1
20	Rosetta 22X30X1,5	Washer 22X30X1,5	-	-	-	-	LV033001000 043	1



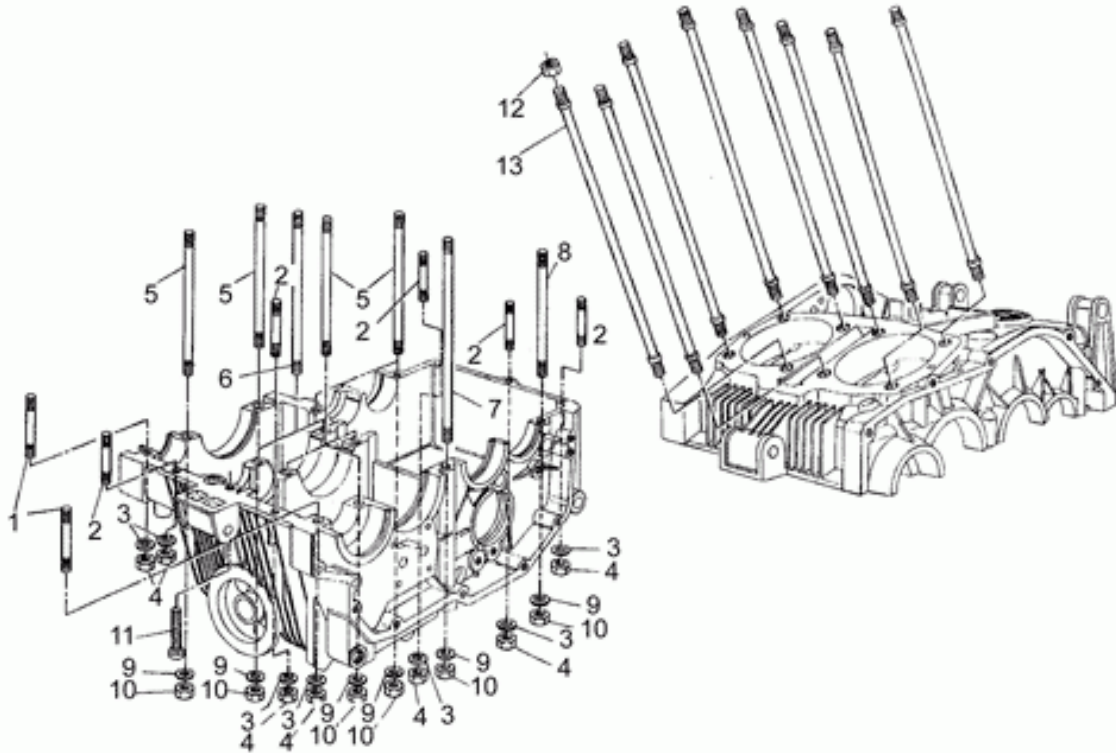
Ref.	Descrizione	Description	Year	I.M.	Country	Version	Code	Qty
21	Filtro olio	Oil filter	-	-	-	-	LV062001000 033	1
22	Pompa olio	Oil pump	-	-	-	-	LV019001000 006	1



Ref.	Descrizione	Description	Year	I.M.	Country	Version	Code	Qty
1	Forchetta leva cambio	Gear selector fork	-	-	-	-	LV043005000 005	2
2	Spina 4X20	Pin 4X20	-	-	-	-	LV034001V1 0190	1
3	Albero forchetta	Fork shaft	-	-	-	-	LV040001V1 8153	1
4	O-ring 108	O-ring 108	-	-	-	-	LV055001V3 0008	1
5	Vite TCEI M6X40	Hex socket screw M6X40	-	-	-	-	LV030003V6 2163	1
6	Rosetta Grower d.5	Washer d.5	-	-	-	-	LV033001V2 0006	4
7	Selettore	Selector	-	-	-	-	LV043002000 026	1
8	Selettore cambio	Gear box selector	-	-	-	-	LV043002000 025	1
9	Distanziale	Spacer	-	-	-	-	LV034003000 037	1
10	Rullo 4X20	Roller 4X20	-	-	-	-	LV034001V3 0820	2
11	Rullo 4X12	Roller 4X12	-	-	-	-	LV034001V3 0812	3
12	Perno filettato	Threaded pin	-	-	-	-	LV030004V9 0171	1
13	Rosetta 6,5X18X1,5	Washer 6,5X18X1,5	-	-	-	-	LV033001V1 1060	2
14	Cuscinetto a sfere 30X55X9	Ball bearing 30X55X9	-	-	-	-	LV022001V0 7301	1
15	Desmodromico	Shift cam	-	-	-	-	LV043005000 024	1
16	Rosetta 14,25X23X1	Washer 14,25X23X1	-	-	-	-	LV033001V1 4124	1
17	Interruttore NEUTRAL	Switch NEUTRAL	-	-	-	-	LV071003V0 1001	1
18	Vite TE M6X16	Hex screw M6X16	-	-	-	-	LV030002V3 2063	1
19	Prigioniero M6X44	Stud bolt M6X44	-	-	-	-	LV031001V3 2833	1
20	Distanziale	Spacer	-	-	-	-	LV034003000 035	1
21	Levetta	Lever	-	-	-	-	LV043003V0 4242	1



Ref.	Descrizione	Description	Year	I.M.	Country	Version	Code	Qty
22	Molla	Spring	-	-	-	-	LV050001000 019	1
23	Distanziale	Spacer	-	-	-	-	LV034003000 036	1
24	Rosetta 6,25X23X3	Washer 6,25X23X3	-	-	-	-	LV033001000 021	1
25	Dado M6	Nut M6	-	-	-	-	LV030005V1 0123	1
26	Molla	Spring	-	-	-	-	LV050001V9 0253	1
27	Dado M8	Nut M8	-	-	-	-	LV030005V1 1163	1
28	Albero selettore+arpionismo	Gearshift shaft+pawl assy	-	-	-	-	LV040001V2 2151	1
29	Perno bilanciante	Rocker shaft	-	-	-	-	LV034002V5 0102	1
30	Molla forcina	Pin spring	-	-	-	-	LV050001V2 0095	1
31	Rosetta 14,25X23X1	Washer 14,25X23X1	-	-	-	-	LV033001V1 4121	2
32	Anello Seeger 14mm DIN471	Circlip 14mm DIN471	-	-	-	-	LV050003V1 0128	1
33	Rosetta PS 12X18X0,5	Washer PS 12X18X0,5	-	-	-	-	LV033001V1 3671	1
34	Paraolio Baof 12X16X3	Oil seal Baof 12X16X3	-	-	-	-	LV055002000 009	1
36	Forchetta leva cambio	Gear selector fork	-	-	-	-	LV043005000 005	1
37	Cablaggio interr.stop	B.I. switch wiring	-	-	-	-	LV071001000 043	1



Ref.	Descrizione	Description	Year	I.M.	Country	Version	Code	Qty
1	Prigioniero M6X80	Stud bolt M6X80	-	-	-	-	LV031001V3 2563	2
2	Prigioniero M6X54	Stud bolt M6X54	-	-	-	-	LV031001V3 2843	5
3	Rosetta 6,4X12,5X1,6	Washer 6,4X12,5X1,6	-	-	-	-	LV033001V1 1010	7
4	Dado M6	Nut M6	-	-	-	-	LV030005V1 0123	7
5	Prigioniero M8X112	Stud bolt M8X112	-	-	-	-	LV031001V3 3663	4
6	Prigioniero M8X152	Stud bolt M8X152	-	-	-	-	LV031001V3 3643	4
7	Prigioniero M8X163	Stud bolt M8X163	-	-	-	-	LV031001V3 3823	2
8	Prigioniero M8X91	Stud bolt M8X91	-	-	-	-	LV031001V3 3813	1
9	Rosetta 8,5X17X2	Washer 8,5X17X2	-	-	-	-	LV033001V1 2201	11
10	Dado M8	Nut M8	-	-	-	-	LV030005V1 0163	11
11	Vite TCEI M6X50	Hex socket screw M6X50	-	-	-	-	LV030003V6 2183	1
12	Dado M11X1,5	Nut M11X1,5	-	-	-	-	LV030016000 005	8
13	Prigioniero M11X1,5X248	Stud bolt M11X1,5X248	-	-	-	-	LV031002000 015	8